

## Overview

CH592 is a RISC-V MCU microcontroller with integrated BLE wireless communication. On-chip integration of 2Mbps BLE communication module, full-speed USB host and device controller and transceiver, segment LCD driver module, SPI, 4 serial ports, 12-channel ADC, touch-key detection module and other rich peripheral resources.

## Feature

- **Core:**
  - QingKe 32-bit RISC-V4C core
  - Support RV32IMAC instruction set and self-extending instructions
  - Fast programmable interrupt controller + hardware interrupt stack
  - Branch prediction, conflict handling mechanism
  - Single-cycle multiplication, hardware division
  - Multi-speed system main frequency, minimum 32KHz
- **512K-byte non-volatile memory FlashROM:**
  - 448KB user application program memory area CodeFlash
  - 32KB user non-volatile data memory area DataFlash
  - 24KB system boot program memory area BootLoader
  - 8KB system non-volatile configuration information memory area InfoFlash
  - Support ICP, ISP and IAP, support OTA wireless upgrade
  - Basically, zero-wait at the system frequency of 20MHz
- **26K-byte volatile data storage SRAM:**
  - Sleep retention memory area RAM24K using 24KB dual power supply
  - Sleep retention memory area RAM2K using 2KB dual power supply
- **Power management and low power:**
  - Support 3.3V and 2.5V power, CH592 supports 1.8V
  - Built-in DC-DC conversion, reducing power consumption
  - Idle mode: 1.1mA
  - Halt mode: 1.0mA (PLL/HSE not stopped)  
180uA (PLL/HSE stopped)
  - Sleep mode: Multiple gears from 0.8uA to 2.5uA
  - Shutdown mode: Multiple gears from 0.3uA to 1.3uA
  - Bluetooth receive current when DC-DC is off at 3.3V: 7.5mA
  - 3.3V enable DC-DC, Bluetooth receive current: 3.5mA
  - Optional low-voltage monitoring of low-power or high-precision battery voltage
- **Security properties:**
  - AES-128 encryption and decryption, unique chip ID
- **Bluetooth Low Energy (BLE):**
  - Integrated with 2.4GHz RF transceiver and baseband and link control
  - -95dBm RX sensitivity, programmable +4.5dBm TX power
  - BLE complies with Bluetooth Low Energy Specification 5.4
  - Support 2Mbps, 1Mbps
  - Provide optimized protocol stack and application layer API, and support networking
- **Real-time clock (RTC):**
  - 2 modes of timing and triggering
- **Segment LCD:** Supports 80-dot (20\*4) LCD panel
- **Universal serial bus (USB):**
  - Integrated USB 2.0 full-speed transceiver PHY, no

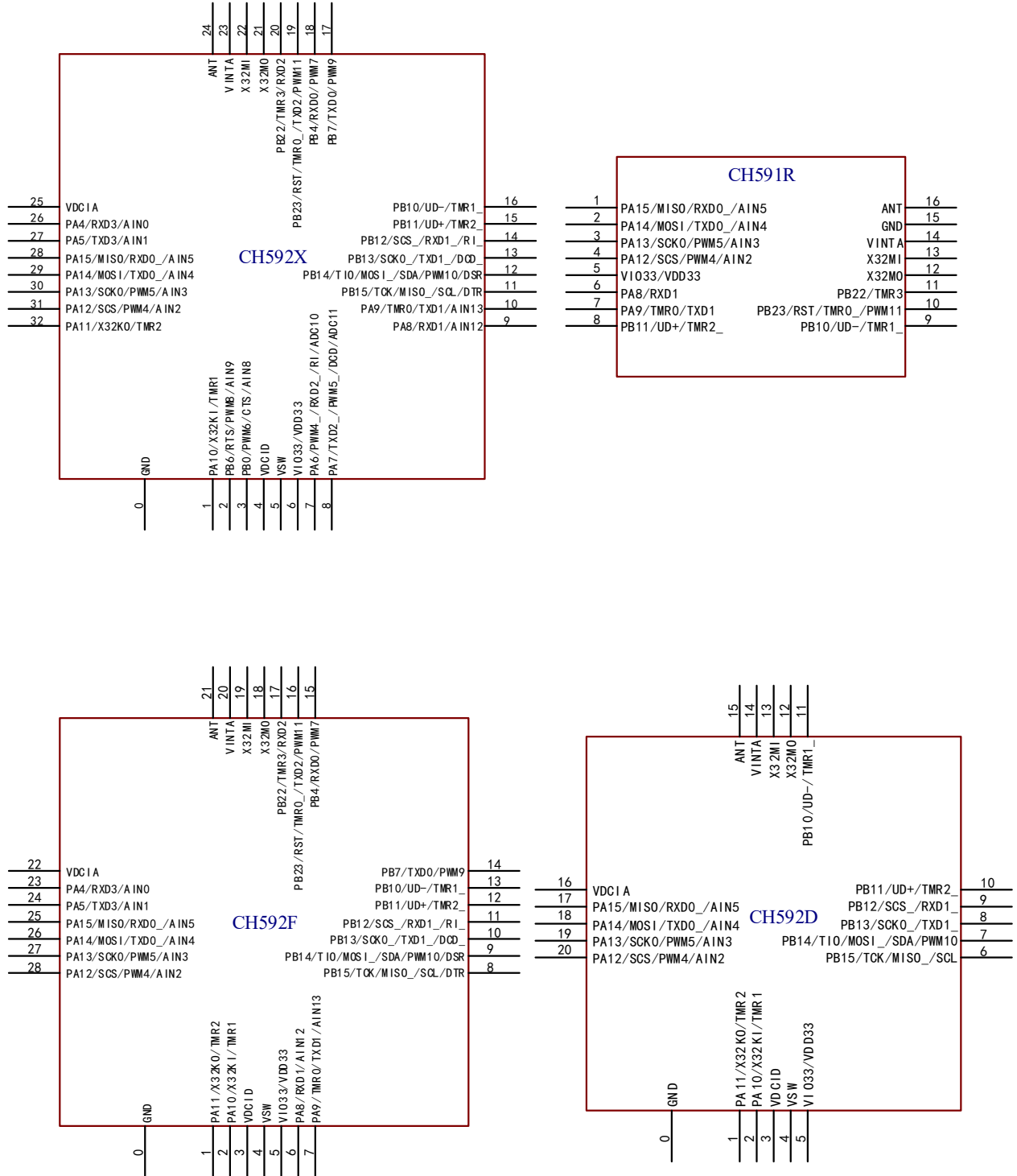
- peripheral required
- 15 endpoints, support DMA, support 64-byte data packet
- Support host and device mode at full-speed/low-speed
- **Analog to digital converter (ADC):**
  - 12-bit analog to digital converter, support differential and single-ended input
  - 12 external analog signal channels and 2 internal signal channels
- **Touch-key detection module (Touch-key):**
  - 12-channel
- **Timer and pulse width modulation (PWM):**
  - 4 sets of 26-bit timers, which can reach 4.2S at the frequency of 16MHz
  - 4-channel capture/sample, support rising edge/falling edge /double edge
  - 4-channel 26-bit PWM output
  - 8-channel 8-bit PWM output, the first 6 channels support 16-bit PWM output
- **Universal asynchronous receiver/transmitter (UART):**
  - 4 independent UARTs, compatible with 16C550, built-in 8-level FIFO
  - 23-bit counter, up to 6Mbps communication baud rate
- UART0 supports some Modem, supports hardware automatic flow control
- UART0 supports automatic matching of slave address during multi-device communication
- **Serial peripheral interface (SPI):**
  - Support Master and Slave modes
  - Built-in FIFO, Support DMA
  - SCK serial clock frequency can reach half of system clock frequency
- **2-wire serial interface (I2C):**
  - Support Master and Slave modes, compatible with SMBus
  - Support 7-bit or 10-bit address and bus broadcast
  - Support arbitration, error detection, PEC check and clock extension
- **Temperature sensor (TS)**
- **Clock:** Built-in PLL, built-in 32KHz clock
- **General-purpose input/output (GPIO):**
  - 24 GPIOs, 4 of them support 5V signal input
  - Optional pull-up or pull-down resistor, optional output drive capability
  - 24 GPIOs support level or edge interrupt input
  - 24 GPIOs support level or edge wake-up input
- **Package:** QFN, TSSOP

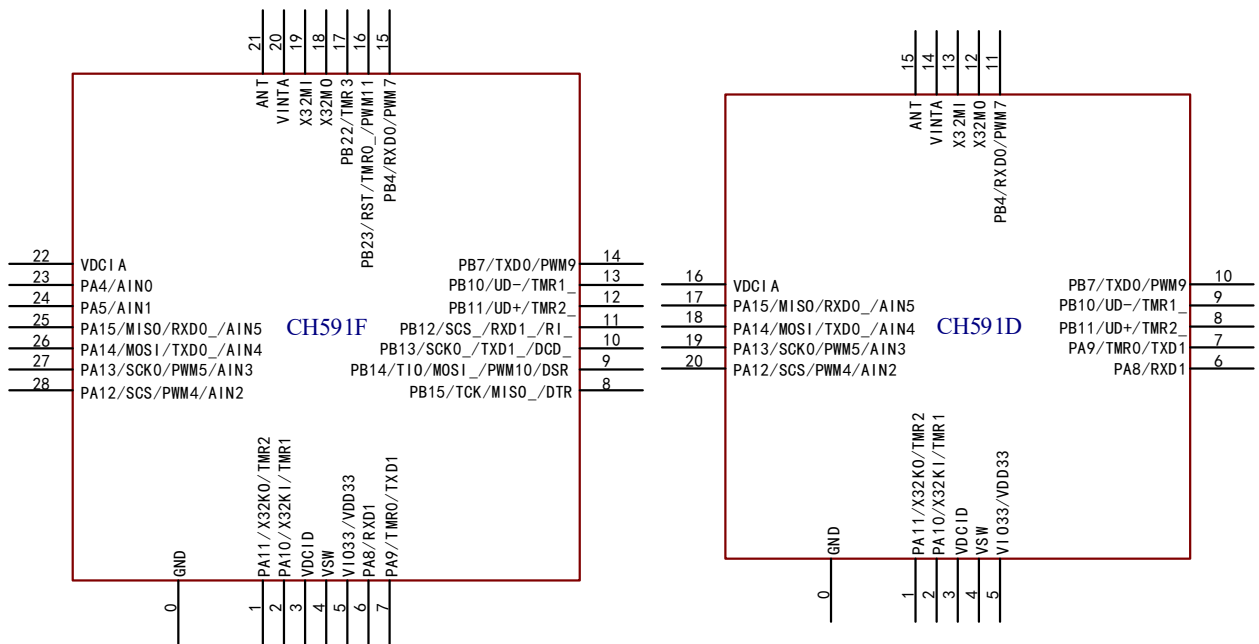
The CH592 and CH591F support a minimum supply voltage of 1.7 V. The CH591 removes the touch-key detection module, the I2C module, the total FlashROM capacity is only 256 KB, and the ADC does not support DMA.

Part No.	CodeFlash		RTC	Timer	Capture	PWM	UART	SPI	I2C	BLE	ADC and TS	Capacitive Touch-key	USB host	USB device	DC - DC	Min. supply voltage	GPIO	LCD	Package	
	+BootLoader+	DataFlash																		RAM
CH592X	448+24+32K	24+2K	√	4	4	4+8	4	√	-	√	12+1	12	√	√	√	1.7V	24	20*4	QFN32	
CH592F	448+24+32K	24+2K		4	4	4+6	4				√	8+1	8		√	√	1.7V	20	16*4	QFN28
CH592D	448+24+32K	24+2K		2	2	2+3	2				√	4+1	4		√	√	1.7V	12	8*4	QFN20
CH591F	192+24+32K	24+2K		4	4	4+6	2				-	6+1	-		-	√	1.7V	20	16*4	QFN28
CH591D	192+24+32K	24+2K		3	3	3+4	2				-	4+1	-		-	√	2.3V	12	-	QFN20
CH591R	192+24+32K	24+2K		4	4	4+3	2				-	4+1	-		-	-	2.3V	10	-	TSSOP16

# Chapter 1 Pinouts and Pin Definitions

## 1.1 Pinouts





## 1.2 Pin Definitions

Note that the pin function descriptions in the table below are for all functions and do not relate to specific model products. Peripheral resources may vary between models, so please check the availability of this function according to the product model resource table before viewing.

Pin No.					Pin name	Pin type	Alternate function takes precedence	Function Description
CH592X	CH592F/1F	CH592D	CH591D	CH592R				
0	0	0	0	-	GND	Power	-	EPAD, ground, voltage 0V as reference point.
-	-		-	15	GND	Power		Ground, voltage 0V as reference point.
4	3	3	3	-	VDCID	Power	-	Power input of internal digital circuit LDO regulator, requires an external decoupling capacitor. 4.7uF is recommended (1uF~10uF supported, small capacitance DC-DC efficiency slightly reduced) when DC-DC is enabled. While 0.1uF or more is recommended when DC-DC is disabled.
5	4	4	4	-	VSW	Power	-	DC-DC switching output, DC-DC enabled must be close to the pin series inductance connected to the VDCID, it is recommended to use 10uH inductance (support 4.7uH ~ 22uH, sense value of the small DC-DC efficiency slightly decreased), do not enable the DC-DC can be directly connected to the VDCID.
6	5	5	5	5	VDD33	Power	VBAT	DC-DC or battery power input, requires an external decoupling capacitor close to pin. 2.2uF or 1uF is recommended when DC-DC is enabled, while 0.1uF is recommended when DC-DC is disabled.
					VIO33	Power	-	I/O power input.
8	-	-	-	-	PA7	I/O/A	TXD2_ /PWM5_ /DCD /AIN11	PA7: General-purpose bidirectional digital I/O pin. TXD2: UART2 serial data output. PWM5_: PWM output channel5 pin mapping. DCD: MODEM input signal of UART0, carrier detection. AIN11: ADC analog signal input channel 11.
9	6	-	6	6	PA8	I/O/A	RXD1 /AIN12	PA8: General-purpose bidirectional digital I/O pin. RXD1: UART1 serial data input. AIN12: ADC analog signal input channel 12.
10	7	-	7	7	PA9	I/O/A	TMR0 /TXD1 /AIN13	PA9: General-purpose bidirectional digital I/O pin. TMR0: Capture input0 and PWM output channel0 of Timer0. TXD1: UART1 serial data output. AIN13: ADC analog signal input channel 13.
11	8	6	-	-	PB15	I/O/5VT	TCK /MISO_ /SCL /DTR	PB15: General-purpose bidirectional digital I/O pin. TCK <sup>(3)</sup> : Serial clock input of 2-wire simulation debug interface. MISO_: MISO pin mapping of SPI0.

Pin No.					Pin name	Pin type	Alternate function takes precedence	Function Description
CH592X	CH592F/1F	CH592D	CH591D	CH592R				
								SCL: I2C serial clock pin, host output and input/slave input. DTR: MODEM output signal of UART0, data terminal ready.
12	9	7	-	-	PB14	I/O/5VT	TIO /MOSI_ /SDA /PWM10 /DSR	PB14: General-purpose bidirectional digital I/O pin. TIO <sup>(3)</sup> : Serial data input/output of simulation debug interface, with built-in pull-up. MOSI_: MOSI pin mapping of SPI0. SDA: I2C serial data pin, open-drain output and input. PWM10: PWM output channel10. DSR: MODEM input signal of UART0, data device ready.
13	10	8	-	-	PB13	I/O/5VT	SCK0_ /TXD1_ /DCD_	PB13: General-purpose bidirectional digital I/O pin. SCK0_: SCK pin mapping of SPI0. TXD1_: TXD1 pin mapping of UART1. DCD_: DCD pin mapping of UART0.
14	11	9	-	-	PB12	I/O/5VT	SCS_ /RXD1_ /RI_	PB12: General-purpose bidirectional digital I/O pin. SCS_: SCS pin mapping of SPI0. RXD1_: RXD1 pin mapping of UART1. RI_: RI pin mapping of UART0.
15	12	10	8	8	PB11	I/O/A	UD+ /TMR2_	PB11: General-purpose bidirectional digital I/O pin. UD+: D+ data line of USB bus. TMR2_: TMR2 pin mapping of Timer2.
16	13	11	9	9	PB10	I/O/A	UD- /TMR1_	PB10: General-purpose bidirectional digital I/O pin. UD-: D- data line of USB bus. TMR1_: TMR1 pin mapping of Timer1.
17	14	-	10	-	PB7	I/O	TXD0 /PWM9	PB7: General-purpose bidirectional digital I/O pin. TXD0: UART0 serial data output. PWM9: PWM output channel9.
2	-	-	-	-	PB6	I/O/A	RTS /PWM8 /AIN9	PB6: General-purpose bidirectional digital I/O pin. RTS: UART0 MODEM output signal, request to send. PWM8: PWM output channel8. AIN9: ADC analog signal input channel 9.
18	15	-	11	-	PB4	I/O	RXD0 /PWM7	PB4: General-purpose bidirectional digital I/O pin. RXD0: UART0 serial data output. PWM7: PWM output channel7.
3	-	-	-	-	PB0	I/O/A	PWM6 /CTS /AIN8	PB0: General-purpose bidirectional digital I/O pin. PWM6: PWM output channel6. CTS: MODEM input signal of UART0, clear send. AIN8: ADC analog signal input channel 8.
19	16	-	-	10	PB23	I/O	RST /TMR0_	PB23: General-purpose bidirectional digital I/O pin. RST: External reset input, active low, built-in pull-up resistor.

Pin No.					Pin name	Pin type	Alternate function takes precedence	Function Description
CH592X	CH592F/1F	CH592D	CH591D	CH592R				
							/TXD2 /PWM11	TMR0_ : TMR0 pin mapping of Timer0. TXD2: UART2 serial data output. PWM11: PWM output channel11.
20	17	-	-	11	PB22	I/O	TMR3 /RXD2	PB22: General-purpose bidirectional digital I/O pin. TMR3: Capture input3 of Timer3 and PWM output channel3. RXD2: UART2 serial data input.
21	18	12	12	12	X32MO	I/A	-	Inverted output of high frequency oscillator HSE, connected to one end of external 32MHz crystal.
22	19	13	13	13	X32MI	A	-	Input of high frequency oscillator HSE, connected to the other end of external 32MHz crystal.
23	20	14	14	14	VINTA	Power	-	The power node of the internal analog circuit requires an external decoupling capacitor close to the pin. 0.47uF is recommended when DC-DC is not enabled; 0.47uF can be used when DC-DC is enabled (0.47uF to 2.2uF is supported, and a large capacitance is good for signal quality but consumes slightly more power).
24	21	15	15	16	ANT	A	-	RF signal input and output, it is recommended to connect the antenna directly.
25	22	16	16	-	VDCIA	Power	-	Power input of internal analog circuit LDO regulator, requires an external decoupling capacitor. It is recommended not to be smaller than 0.1uF, and it is recommended to be connected to VDCID directly.
26	23	-	-	-	PA4	I/O/A	RXD3 /AIN0	PA4: General-purpose bidirectional digital I/O pin. RXD3: UART3 serial data input. AIN0: ADC analog signal input channel 0.
27	24	-	-	-	PA5	I/O/A	TXD3 /AIN1	PA5: General-purpose bidirectional digital I/O pin. TXD3: UART3 serial data output. AIN1: ADC analog signal input channel 1.
7	-	-	-	-	PA6	I/O/A	PWM4_ RXD2_ /RI /AIN10	PA6: General-purpose bidirectional digital I/O pin. PWM4_ : PWM output channel4 pin mapping. RXD2_ : RXD2 pin mapping of UART2. RI: MODEM input signal of UART0, ringing indication. AIN10: ADC analog signal input channel 10.
28	25	17	17	1	PA15	I/O/A	MISO /RXD0_ /AIN5	PA15: General-purpose bidirectional digital I/O pin. MISO: SPI0 serial data pin, host input/slave output. RXD0_ : RXD0 pin mapping of UART0. AIN5: ADC analog signal input channel 5.
29	26	18	18	2	PA14	I/O/A	MOSI /TXD0_	PA14: General-purpose bidirectional digital I/O pin. MOSI: SPI0 serial data pin, host output/slave input.

Pin No.					Pin name	Pin type	Alternate function takes precedence	Function Description
CH592X	CH592F/1F	CH592D	CH591D	CH592R				
							/AIN4	TXD0_: TXD0 pin mapping of UART0. AIN4: ADC analog signal input channel 4.
30	27	19	19	3	PA13	I/O/A	SCK0 /PWM5 /AIN3	PA13: General-purpose bidirectional digital I/O pin. SCK0: SPI0 serial clock pin, host output/slave input. PWM5: PWM output channel 5. AIN3: ADC analog signal input channel 3.
31	28	20	20	4	PA12	I/O/A	SCS /PWM4 /AIN2	PA12: General-purpose bidirectional digital I/O pin. SCS: SPI0 chip select input in slave mode, active low. PWM4: PWM output channel 4. AIN2: ADC analog signal input channel 2.
32	1	1	1	-	PA11	I/O/A	X32KO /TMR2	PA11: General-purpose bidirectional digital I/O pin. X32KO: Inverted output of low frequency oscillator, connected to the end of external 32KHz crystal. TMR2: Capture input 2 and PWM output channel 2 of timer 2
1	2	2	2	-	PA10	I/O/A	X32KI /TMR1	PA10: General-purpose bidirectional digital I/O pin. X32KI: Input of low frequency oscillator, connected to the other end of external 32KHz crystal. TMR1: Capture input 1 and PWM output channel 1 of timer 1.

## Pin descriptions for reuse of segment LCD drivers

Pin Name	Type	Alternate function	Function description
PB12~PB15	A	COM0~COM3	Drive each common terminal of segment LCD, choose some or all as needed.
PB7/PB4	A	SEG0~SEG1	Drive each segment of the segment LCD, select some or all as needed. R32_PIN_CONFIG2 register has 24 bits RB_PIN_SEG*_IE, each bit controls 1 segment pin at the same time, when this bit is 0 the pin is used for digital input or other non-LCD functions, when this bit is 1 the pin is used for LCD segment drive.
PB23~PB22		SEG2~SEG3	
PA4~PA5		SEG4~SEG5	
PA15~PA10		SEG6~SEG11	
PA8~PA9		SEG12~SEG13	
PB11~PB10		SEG14~SEG15	
PB6/PB0		SEG16~SEG17	
PA6~PA7		SEG18~SEG19	

**Note:** 1. Pin Type: I=TTL/CMOS level Schmitt input; O=CMOS level 3-state output;

A= Analog signal input or output; 5VT= Support 5V signal voltage input.

- The alternate functions and mappings of pins are arranged in the table based on their priorities from high to low, and the GPIO function is with the lowest priority.
- 2-wire simulation debug interface is configured by ISP tool. After the simulation debug interface is enabled, PB15 and PB14 are only used as TCK and TIO, and will not be used as GPIO or peripheral alternate function pins. After the simulation debug interface is disabled, PB15 and PB14 can be used as GPIO and



*peripheral alternate function pins.*

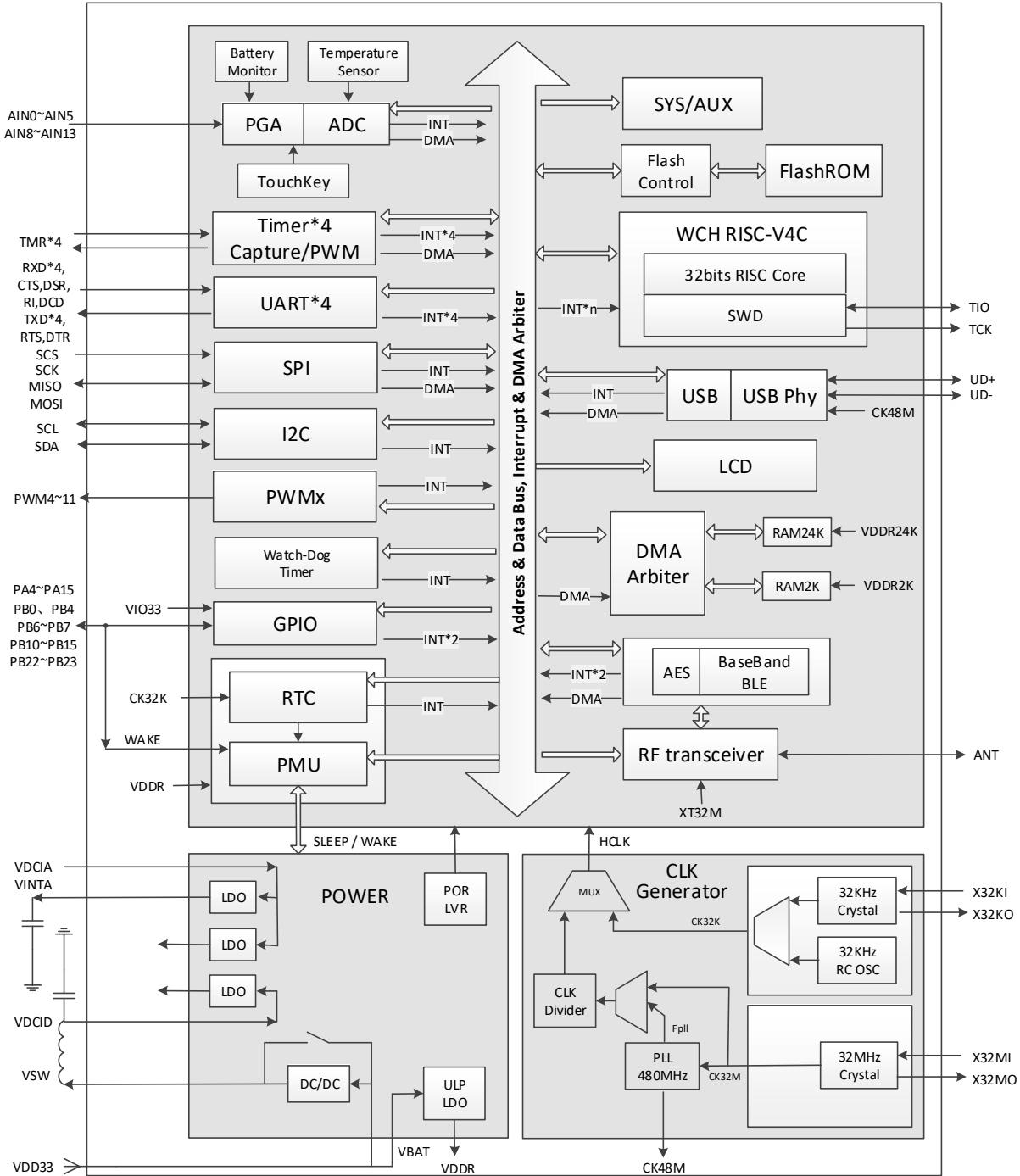
- 4. For the pins of those in other packages, please refer to the description of the pins with the same name in the table.*

# Chapter 2 System Architecture and Memory

## 2.1 System Architecture

The following figure shows the system architecture block diagram of CH592. Its core is QingKe RISC-V microprocessor, please refer to QingKeV4 Processor Manual for details.

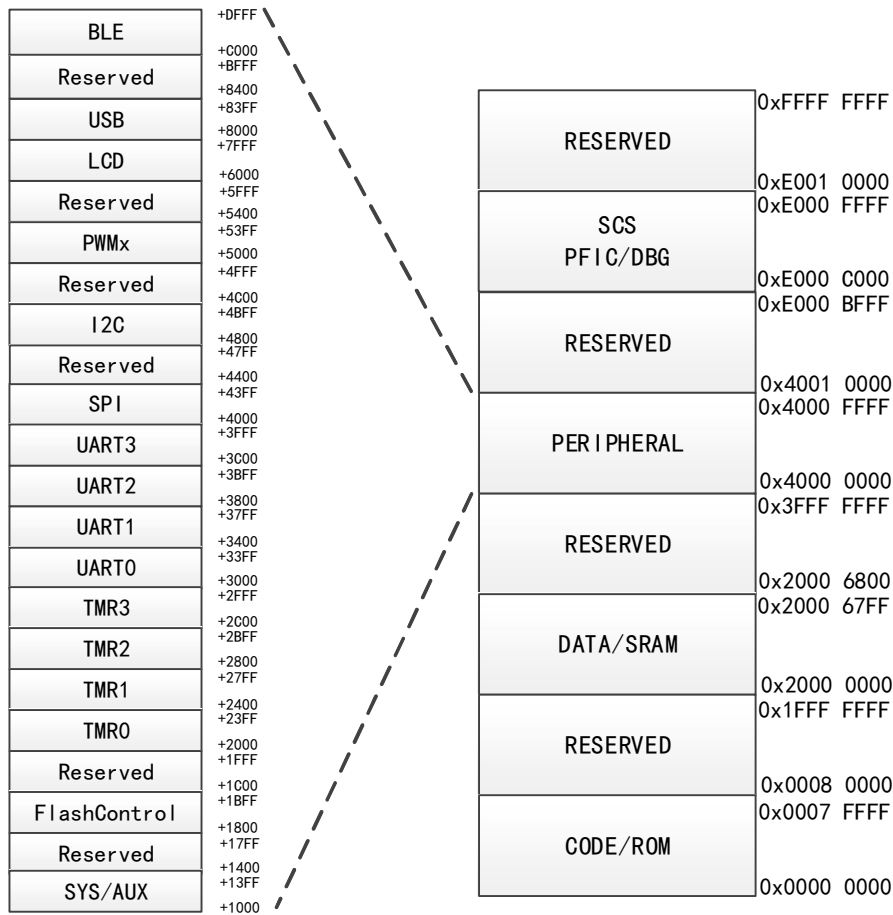
Figure 2-1 CH592 internal structure block diagram



## 2.2 Memory Mapping

The addressing space of CH592 mainly includes several different areas, CODE area/FlashROM, DATA area/SRAM and peripherals, as shown in the figure below.

Figure 2-2 Memory mapping diagram



## 2.3 Memory Mapping Table

The address range of each memory mapping area is shown in the table below:

Table 2-1 Memory mapping area address

Address range	Application	Description
0x00000000-0x0007FFFF	On-chip CODE area, non-volatile memory	512KB, FlashROM
0x00080000-0x1FFFFFFF	Reserved	-
0x20000000-0x200067FF	On-chip DATA area, volatile memory	26KB, SRAM
0x20006800-0x3FFFFFFF	Reserved	-
0x40000000-0x4000FFFF	Various peripherals	Multiple peripheral modules
0x40010000-0xE000BFFF	Reserved	-
0xE000C000-0xE000FFFF	Various peripherals in system	System Control Space (SCS)
0xE0010000-0xFFFFFFF	Reserved	-

### 2.3.1 On-chip CODE Area Mapping Table

Table 2-2 CODE area address

Address range	Application	Description
0x00000000-0x0006FFFF	User application program memory, CodeFlash	448KB
0x00070000-0x00077FFF	User non-volatile data memory, DataFlash	32KB
0x00078000-0x0007DFFF	System bootloader memory, BootLoader	24KB
0x0007E000-0x0007FFFF	System non-volatile configuration information memory, InfoFlash	8KB

The configuration information of the addresses 0x0007E000-0x0007EEFF can be set by the user through tools.

Table 2-3 Description of user non-volatile configuration information

Bit address	Name	Application	Default Value
Bit 2~Bit 0	RESERVED	Reserved	101b
Bit 3	CFG_RESET_EN	RST# external manual reset input pin enable	0
Bit 4	CFG_DEBUG_EN	2-wire simulation debug interface SWD enable	1
Bit 5	RESERVED	Reserved	0
Bit 6	CFG_BOOT_EN	BootLoader enable	1
Bit 7	CFG_ROM_READ	Code and data protection mode in FlashROM: 0-Disable the programmer to read out, and keep the program secret; 1- Read enable	1
Bit 27~Bit 8	RESERVED	Reserved	FFF0Fh
Bit 31~Bit 28	VALID_SIG	Configuration information valid flag, fixed value	0100b

Note: When  $CFG\_DEBUG\_EN=1$ ,  $CFG\_RESET\_EN=0$ ,  $CFG\_ROM\_READ=1$ , the 2-wire emulation debug interface is enabled.

### 2.3.2 On-chip DATA Area Mapping Table

Table 2-4 DATA area address

Address range	Application	Description
0x20000000-0x20005FFF	Independently maintainable memory area supplied by the main + auxiliary dual power, RAM24K	24KB
0x20006000-0x200067FF	Independently maintainable memory area supplied by the main + auxiliary dual power, RAM2K	2KB

### 2.3.3 Peripheral Address Assignment

CH592 mainly contains the following peripherals. Each peripheral occupies a certain address space, and the actual access address of peripheral register is: base address + offset address. In the following chapters, the address of the register is described in detail. The following table shows the assignment of base address of each peripheral.

Table 2-5 Peripheral base address assignment table

Peripheral No.	Peripheral name	Peripheral base address
1	SYS(PMU/RTC/GPIO, etc.)	0x4000 1000

	AUX(ADC/TKEY/PLL,etc.)	
2	FlashROM-Control	0x4000 1800
3	TMR0	0x4000 2000
4	TMR1	0x4000 2400
5	TMR2	0x4000 2800
6	TMR3	0x4000 2C00
7	UART0	0x4000 3000
8	UART1	0x4000 3400
9	UART2	0x4000 3800
10	UART3	0x4000 3C00
11	SPI	0x4000 4000
12	I2C	0x4000 4800
13	PWMx(PWM4~PWM11)	0x4000 5000
14	LCD	0x4000 6000
15	USB	0x4000 8000
16	Radio:BLE	0x4000 C000 0x4000 D000

The following table shows the explanation of "Access" in the register description in the subsequent chapters:

Table 2-6 Description of access attributes

Abbreviation	Description
RF	Read only and the read value is fixed and not affected by reset.
RO	Read-only
WO	Write only, read value is 0 or invalid.
RZ	Read only, clear 0 automatically after reading.
WZ	Write then clear 0.
RW	Readable and writeable.
RW1	Readable, clear 0 if write 1.
WA	Write only and only in safe mode, read value is 0 or invalid.
RWA	Readable, write only in safe mode.

The following table explains the abbreviations used in subsequent chapters:

Abbreviation	Description
HSE	External high-frequency crystal oscillator clock source (32MHz recommended)
LSE	External low-frequency crystal oscillator clock source (32KHz recommended)
LSI	Internal low-frequency RC clock oscillator source (32KHz after calibration when the application software is running)
CK32M	High-frequency clock source (32MHz by default)
CK32K	Low-frequency clock source (32KHz by default)
Fpll	PLL output clock (480MHz by default)
HCLK	System clock
Fsys	System clock frequency

Tsys	System clock cycle (1/Fsys)
RAM2K	2KB SRAM of high address
RAM24K	24KB SRAM of low address
0x	The data starting with it indicates a hexadecimal number
h	The data ending with it indicates a hexadecimal number
b	The data ending with it indicates a binary number

## Chapter 3 Interrupt

The system has a built-in programmable fast interrupt controller (PFIC), which supports up to 255 interrupt vectors. The current system manages 19 peripheral interrupt channels and 8 core interrupt channels, and other interrupt sources are reserved.

### 3.1 Interrupt Controller

19 peripheral interrupts; each interrupt request has an independent trigger and maskable control bit, as well as a dedicated status bit.

1 non-maskable interrupt NMI.

Unique fast interrupt entry and exit mechanism, hardware automatic stacking and recovery, without instruction overhead.

Unique fast interrupt response mechanism, 4 channels programmable directly access interrupt vector addresses.

### 3.2 System Timer (SysTick)

The core provides a 64-bit counter (SysTick), supports HCLK or HCLK/8 as the time base, with higher priority.

### 3.3 Interrupt and Exception Vector

The following is the vector table.

Table 3-1 Interrupt vector table

No.	Priority	Priority Type	Name	Description	Address
0	-	-	-	Reserved	0x0000_0000
1	-3	Fixed	Reset	Reset	0x0000_0004
2	-2	Fixed	NMI	Non-maskable interrupt	0x0000_0008
3	-1	Fixed	EXC	Failures and exception interrupts of all types	0x0000_000C
4	-	-	-	Reserved	-
5	-1	Fixed	ECALL-M	Machine mode callback interrupt	0x0000_0014
6-7	-	-	-	Reserved	-
8	-1	Fixed	ECALL-U	User mode callback interrupt	0x0000_0020
9	-1	Fixed	BREAKPOINT	Breakpoint callback interrupt	0x0000_0024
10-11	-	-	-	Reserved	-
12	0	Settable	SysTick	SysTick timer	0x0000_0030
13	-	-	-	Reserved	-
14	1	Settable	SWI	Software interrupt	0x0000_0038
15	-	-	-	Reserved	0x0000_003C
16	2	Settable	TMR0	TMR0 interrupt	0x0000_0040
17	3	Settable	GPIO_A	GPIO port PA interrupt	0x0000_0044
18	4	Settable	GPIO_B	GPIO port PB interrupt	0x0000_0048
19	5	Settable	SPI0	SPI0 interrupt	0x0000_004C

20	6	Settable	BLEL	LLE interrupt of wireless module	0x0000_0050
21	7	Settable	BLEB	BB interrupt of wireless module	0x0000_0054
22	8	Settable	USB	USB interrupt	0x0000_0058
23	-	-	-	Reserved	0x0000_005C
24	9	Settable	TMR1	TMR1 interrupt	0x0000_0060
25	10	Settable	TMR2	TMR2 interrupt	0x0000_0064
26	11	Settable	UART0	UART0 interrupt	0x0000_0068
27	12	Settable	UART1	UART1 interrupt	0x0000_006C
28	13	Settable	RTC	RTC and oscillator calibration interrupts	0x0000_0070
29	14	Settable	ADC	ADC and TouchKey interrupts	0x0000_0074
30	15	Settable	I2C	I2C interrupt	0x0000_0078
31	16	Settable	PWMX	PWMX interrupt	0x0000_007C
32	17	Settable	TMR3	TMR3 interrupt	0x0000_0080
33	18	Settable	UART2	UART2 interrupt	0x0000_0084
34	19	Settable	UART3	UART3 interrupt	0x0000_0088
35	20	Settable	WDOG_BAT	Watchdog timer interrupt/battery low voltage interrupt	0x0000_008C

### 3.4 Registers

#### 3.4.1 PFIC Register Description

PFIC register base address: 0xE000E000

Table 3-2 PFIC registers

Name	Offset address	Description	Reset Value
R32_PFIC_ISR1	0x00	PFIC interrupt enable status register 1	0x0000000C
R32_PFIC_ISR2	0x04	PFIC interrupt enable status register 2	0x00000000
R32_PFIC_IPR1	0x20	PFIC interrupt pending status register 1	0x00000000
R32_PFIC_IPR2	0x24	PFIC interrupt pending status register 2	0x00000000
R32_PFIC_ITHRESDR	0x40	PFIC interrupt priority threshold configuration register	0x00000000
R32_PFIC_CFGR	0x48	PFIC interrupt configuration register	0x00000000
R32_PFIC_GISR	0x4C	PFIC interrupt global status register	0x00000000
R32_PFIC_IDCFGR	0x50	PFIC fast interrupt ID configuration register	0x00000000
R32_PFIC_FIADDR0	0x60	PFIC fast interrupt 0 address register	0x00000000
R32_PFIC_FIADDR1	0x64	PFIC fast interrupt 1 address register	0x00000000
R32_PFIC_FIADDR2	0x68	PFIC fast interrupt 2 address register	0x00000000
R32_PFIC_FIADDR3	0x6C	PFIC fast interrupt 3 address register	0x00000000
R32_PFIC_IENR1	0x100	PFIC interrupt enable register 1	0x00000000
R32_PFIC_IENR2	0x104	PFIC interrupt enable register 2	0x00000000
R32_PFIC_IRER1	0x180	PFIC interrupt reset enable register 1	0x00000000
R32_PFIC_IRER2	0x184	PFIC interrupt reset enable register 2	0x00000000
R32_PFIC_IPSR1	0x200	PFIC interrupt pending set register 1	0x00000000
R32_PFIC_IPSR2	0x204	PFIC interrupt pending set register 2	0x00000000



R32_PVIC_IPRR1	0x280	PFVIC interrupt pending reset register 1	0x00000000
R32_PVIC_IPRR2	0x284	PFVIC interrupt pending reset register 2	0x00000000
R32_PVIC_IACR1	0x300	PFVIC interrupt activation status register 1	0x00000000
R32_PVIC_IACR2	0x304	PFVIC interrupt activation status register 2	0x00000000
R32_PVIC_IPRIORx	0x400	PFVIC interrupt priority configuration register	0x00000000
R32_PVIC_SCTLR	0xD10	PFVIC system control register	0x00000000

In user mode, global interrupt control is supported, please refer to the examples provided in evaluation board documentation.

Description about core interrupt control bit:

1. Reset, NMI, EXC, ECALL-M, ECALL-U and BREAKPOINT interrupts are always enabled by default.
2. NMI and EXC support interrupt suspend clear and set control (controlled by PVIC\_IPSR1 and PVIC\_IPRR1), but do not support interrupt enable set and clear control.
3. Reset, ECALL-M, ECALL-U and BREAKPOINT do not support interrupt suspend clear and set control, interrupt enable set and clear control.

#### PFVIC Interrupt Enable Status Register 1 (PVIC\_ISR1)

Bit	Name	Access	Description	Reset value
[31:12]	INTENSTA	RO	31# and below interrupts current enable status. 1: Enable the current number interrupt; 0: Disable the current number interrupt.	00000h
[11:0]	Reserved	RO	Reserved. Reset, NMI, EXC, ECALL and other interrupts bit, the same below.	00Ch

#### PFVIC Interrupt Enable Status Register 2 (PVIC\_ISR2)

Bit	Name	Access	Description	Reset value
[31:4]	Reserved	RO	Reserved	0000000h
[3:0]	INTENSTA	RO	32# and above interrupts current enable status. 1: Enable the current number interrupt; 0: Disable the current number interrupt.	0

#### PFVIC Interrupt Pending Status Register 1 (PVIC\_IPR1)

Bit	Name	Access	Description	Reset value
[31:12]	PENDSTA	RO	31# and below interrupts current pending status. 1: Current number interrupt has been pending; 0: Current number interrupt is not pending.	00000h
[11:0]	Reserved	RO	Reserved	000h

#### PFVIC Interrupt Pending Status Register 2 (PVIC\_IPR2)

Bit	Name	Access	Description	Reset value
[31:4]	Reserved	RO	Reserved	0000000h
[3:0]	PENDSTA	RO	32# and above interrupts current pending status.	0h

			1: Current number interrupt has been pending; 0: Current number interrupt is not pending.	
--	--	--	--	--

## PFIC Interrupt Priority Threshold Configuration Register (PFIC\_ITHRESDR)

Bit	Name	Access	Description	Reset value
[31:8]	Reserved	RO	Reserved	000000h
[7:0]	THRESHOLD	RW	Interrupt priority threshold setting value. If the interrupt priority value is lower than the current setting value, interrupt service will not be performed when suspended. When this register is 0, the threshold register function is invalid. [7:4]: Priority threshold. [3:0]: Reserved; 0 constantly; invalid if writing.	00h

## PFIC Interrupt Configuration Register (PFIC\_CFGR)

Bit	Name	Access	Description	Reset value
[31:16]	KEYCODE	WO	For different target control bits, the corresponding security access identification data needs to be written synchronously for modification, and the read value is always 0: KEY1 = 0xFA05. KEY2 = 0xBCAF. KEY3 = 0xBEEF.	0000h
[15:8]	Reserved	RO	Reserved	00h
7	RESETSUS	WO	System reset (Write into KEY3 synchronously). Cleared to 0 automatically. Valid when writing 1; invalid when writing 0. The function of this bit is the same as that of SYSRESET bit of PFIC_SCTLR register.	0
[6:0]	Reserved	RO	Reserved	00h

## PFIC Interrupt Global Status Register (PFIC\_GISR)

Bit	Name	Access	Description	Reset value
[31:10]	Reserved	RO	Reserved	000000h
9	GPENDSTA	RO	Whether there is interrupt pending currently: 1: Yes; 0: No.	0
8	GACTSTA	RO	Whether the interrupt is executed currently: 1: Yes; 0: No.	0
[7:0]	NESTSTA	RO	Current interrupt nesting status, support 2-level nesting currently, [1:0] valid. 3: Level 2 interrupt in process; 1: Level 1 interrupt in process;	00h

			0: No interrupt occurs; Others: Impossible condition.	
--	--	--	--	--

## PFIC Fast Interrupt ID Configuration Register (PFIC\_IDCFGR)

Bit	Name	Access	Description	Reset value
[31:24]	FIID3	RW	Configure interrupt number of fast interrupt 3.	00h
[23:16]	FIID2	RW	Configure interrupt number of fast interrupt 2.	00h
[15:8]	FIID1	RW	Configure interrupt number of fast interrupt 1.	00h
[7:0]	FIID0	RW	Configure interrupt number of fast interrupt 0.	00h

## PFIC Fast Interrupt 0 Address Register (PFIC\_FIADDR0)

Bit	Name	Access	Description	Reset value
[31:1]	ADDR0	RW	Fast interrupt 0 service program address bit[31:1], bit0 is 0.	00000000h
0	FI0EN	RW	Fast interrupt 0 channel enable bit: 1: Enable fast interrupt 0 channel; 0: Disable.	0

## PFIC Fast Interrupt 1 Address Register (PFIC\_FIADDR1)

Bit	Name	Access	Description	Reset value
[31:1]	ADDR1	RW	Fast interrupt 1 service program address bit[31:1], bit0 is 0.	00000000h
0	FI1EN	RW	Fast interrupt 1 channel enable bit: 1: Enable fast interrupt 1 channel; 0: Disable.	0

## PFIC Fast Interrupt 2 Address Register (PFIC\_FIADDR2)

Bit	Name	Access	Description	Reset value
[31:1]	ADDR2	RW	Fast interrupt 2 service program address bit[31:1], bit0 is 0.	00000000h
0	FI2EN	RW	Fast interrupt 2 channel enable bit: 1: Enable fast interrupt 2 channel; 0: Disable.	0

## PFIC Fast Interrupt 3 Address Register (PFIC\_FIADDR3)

Bit	Name	Access	Description	Reset value
[31:1]	ADDR3	RW	Fast interrupt 3 service program address bit[31:1], bit0 is 0.	00000000h
0	FI3EN	RW	Fast interrupt 3 channel enable bit: 1: Enable fast interrupt 3 channel; 0: Disable.	0

## PFIC Interrupt Enable Register 1 (PFIC\_IENR1)

Bit	Name	Access	Description	Reset value
[31:12]	INTEN	WO	31# and below interrupts enable. 1: Enable the current number interrupt; 0: No effect.	00000h

[11:0]	Reserved	RO	Reserved	000h
--------	----------	----	----------	------

## PFIC Interrupt Enable Register 2 (PFIC\_IENR2)

Bit	Name	Access	Description	Reset value
[31:4]	Reserved	RO	Reserved	0000000h
[3:0]	INTEN	WO	32# and above interrupts enable. 1: Enable the current number interrupt; 0: No effect.	0h

## PFIC Interrupt Reset Enable Register 1 (PFIC\_IRER1)

Bit	Name	Access	Description	Reset value
[31:12]	INTRESET	WO	31# and below interrupts disable. 1: Disable the current number interrupt; 0: No effect.	00000h
[11:0]	Reserved	RO	Reserved	000h

## PFIC Interrupt Reset Enable Register 2 (PFIC\_IRER2)

Bit	Name	Access	Description	Reset value
[31:4]	Reserved	RO	Reserved	0000000h
[3:0]	INTRESET	WO	32# and above interrupts disable. 1: Disable the current number interrupt; 0: No effect.	0h

## PFIC Interrupt Pending Set Register 1 (PFIC\_IPSR1)

Bit	Name	Access	Description	Reset value
[31:12]	PENDSET	WO	31# and below interrupts pending sett. 1: Current number interrupt is pending; 0: No effect.	00000h
[11:0]	Reserved	RO	Reserved	000h

## PFIC Interrupt Pending Set Register 2 (PFIC\_IPSR2)

Bit	Name	Access	Description	Reset value
[31:4]	Reserved	RO	Reserved	0000000h
[3:0]	PENDSET	WO	32# and above interrupts pending set. 1: Current number interrupt is pending; 0: No effect.	0h

## PFIC Interrupt Pending Reset Register 1 (PFIC\_IPRR1)

Bit	Name	Access	Description	Reset value
[31:12]	PENDRESET	WO	31# and below interrupts pending reset. 1: Current number interrupt reset pending status; 0: No effect.	00000h
[11:0]	Reserved	RO	Reserved	000h

PFIC Interrupt Pending Reset Register 2 (PFIC\_IPRR2)

Bit	Name	Access	Description	Reset value
[31:4]	Reserved	RO	Reserved	0000000h
[3:0]	PENDRESET	WO	32# and above interrupts pending reset. 1: Current number interrupt reset pending status; 0: No effect.	0h

PFIC Interrupt Activation Status Register 1 (PFIC\_IACR1)

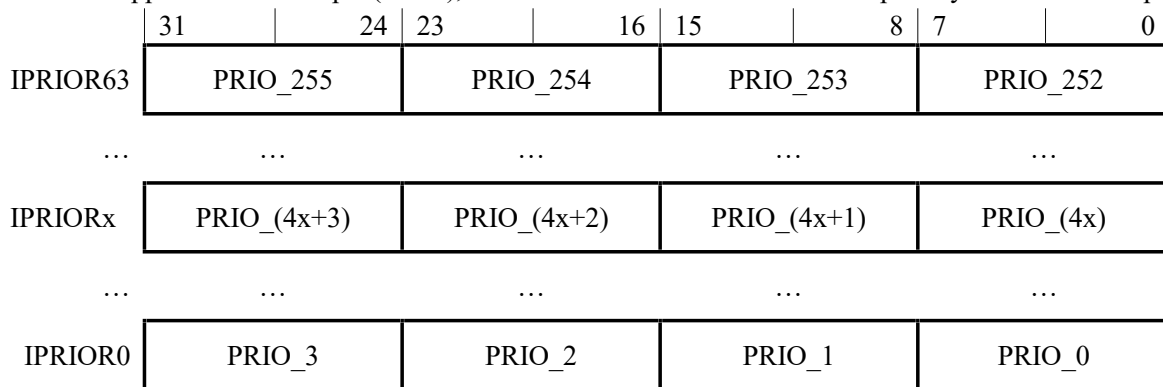
Bit	Name	Access	Description	Reset value
[31:12]	IACR1	RW1	31# and below interrupts activation status. 1: Executing the current number interrupt; 0: The current number interrupt is not executed.	00000h
[11:0]	Reserved	RO	Reserved	000h

PFIC Interrupt Activation Status Register 2 (PFIC\_IACR2)

Bit	Name	Access	Description	Reset value
[31:4]	Reserved	RO	Reserved	0000000h
[3:0]	IACR2	RW1	32# and above interrupts activation status. 1: Executing the current number interrupt; 0: The current number interrupt is not executed.	0h

PFIC Interrupt Priority Configuration Register (PFIC\_IPRIORx) (x=0-63)

The controller supports 256 interrupts (0-255), and 8 bits are used to set the control priority for each interrupt.



Bit	Name	Access	Description	Reset value
[2047:2040]	IP_255	RW	Same as IP_0 description.	00h
...	...	...	...	...
[31:24]	IP_3	RW	Same as IP_0 description.	00h
[23:16]	IP_2	RW	Same as IP_0 description.	00h
[15:8]	IP_1	RW	Same as IP_0 description.	00h
[7:0]	IP_0	RW	Number 0 interrupt priority configuration: [7:4]: Priority control bit. [3:0]: Reserved. Always 0. Invalid if writing.	00h

			The smaller priority value means higher priority. Only 2-level nested interrupts, i.e., it can be only preempted once.	
--	--	--	--	--

## PFIC System Control Register (PFIC\_SCTLR)

Bit	Name	Access	Description	Reset value
31	SYSRESET	WO	System reset. Cleared to 0 automatically. Valid when writing 1, while invalid when writing 0. The same effect as PFIC_CFGR register.	0
[30:7]	Reserved	RO	Reserved	000000h
6	LOCKUP	RW	Deadlock enable. 1: Disable; 0: Enable.	0
5	SETEVENT	WO	Set event to wake up the WFE.	0
4	SEVONPEND	RW	When an event or interrupt suspending status occurs, the system can be woken up by the WFE command. If the WFE command is not executed, the system will be woken up immediately after the next execution of the command. 1: Enable events and all interrupts (including disabled interrupts) can wake up the system; 0: Only enabled events and enabled interrupts can wake up the system.	0
3	WFIOWFE	RW	The WFI command is executed as WFE. 1: The subsequent WFI command is deemed as WFE command; 0: No action.	0
2	SLEEPDEEP	RW	Low power mode of control system: 1: deepsleep 0: sleep	0
1	SLEEPONEXIT	RW	The system status after controlled to exit the interrupt service program: 1: The system gets into low-power mode; 0: The system gets into the main program.	0
0	Reserved	RO	Reserved	0

## 3.4.2 CSR Registers Defined by WCH

In RISC-V, some control and status registers (CSR) are defined, which are used to configure, mark and record run status. CSR registers belong to internal registers of the core, and have a dedicated 12-bit address space. WCH devices not only provide standard registers defined in RISC-V architecture documentation, but also provide some registers defined by manufactures and the csr instruction is needed to access. Note: These registers with “MRW” attribute can only be accessed when the system is in machine mode.

## Interrupt System Control Register (INTSYSCR)

CSR address: 0x804

Bit	Name	Access	Description	Reset value
[31:6]	Reserved	RO	Reserved	0000000h
[5]	GLOBAL_IE	MRW	Global interrupt enable. 0: Enable; 1: Disable.	0
[4:2]	Reserved	RO	Reserved	000b
1	INESTEN	MRW	Interrupt nesting enable. 1: Enable; 0: Disable.	0
0	HWSTKEN	MRW	Hardware stack function enable 1: Enable; 0: Disable.	0

#### Machine Trap-vector Base-address Register (MTVEC)

CSR address: 0x305

Bit	Name	Access	Description	Reset value
[31:2]	BASEADD	RO	Interrupt vector table base address.	00000000h
1	MODE1	RW	Interrupt vector table recognize mode. 1: Recognize based on absolute address, support full range, but must jump; 0: Recognize based on jump instruction, limited range, support non-jump instruction.	0
0	MODE0	RW	Interrupt or exception entry address mode select: 1: Offset address based on number*4; 0: Unified entry address.	0

### 3.4.3 Physical Memory Protection (PMP)

In order to improve system security, a set of physical address access privileges are defined in the RISC-V architecture, which can be used to set read/write/execute attribute of physical memory in the space and support regions as small as 4 bytes. PMP unit is always effective in user mode, and is optionally effective in machine mode. If the current memory restriction is violated, it may cause system exception interrupt (EXC).

PMP unit contains 4 sets of 8-bit configuration registers (in total 32 bits) and 4 sets of address registers, which need csr instruction to access and the registers must be in machine mode.

#### PMP Configuration Register (PMPCFG0)

CSR address: 0x3A0

Bit	Name	Access	Description	Reset value
[31:24]	pmp3cfg	MRW	See pmp0cfg.	00h
[23:16]	pmp2cfg	MRW	See pmp0cfg.	00h
[15:8]	pmp1cfg	MRW	See pmp0cfg.	00h

Bit	Name	Description	00h
7	L	Lock enable. Disable lock in machine mode: 1: Lock related register; 0: Not lock.	
[6:5]	-	Reserved	
[4:3]	A	Address alignment and protection region range selection.	
2	X	Execute.	
1	W	Write.	
0	R	Read.	

Address alignment and protection region range select, memory protection for the region,  $A\_ADDR \leq \text{region} < B\_ADDR$  ( $A\_ADDR$  and  $B\_ADDR$  are required to be 4 bytes aligned):

1. If  $B\_ADDR - A\_ADDR = 2^2$ , select NA4;
2. If  $B\_ADDR - A\_ADDR = 2^{(G+2)}$ ,  $G \geq 1$ , and  $A\_ADDR$  is  $2^{(G+2)}$  aligned, select NAPOT;
3. Otherwise select TOR.

A	Name	Description
0	OFF	No region to be protected
1	TOR	Top alignment region protection: pmp0cfg, $0 \leq \text{region} < \text{pmpaddr0}$ ; pmp1cfg, $\text{pmpaddr0} \leq \text{region} < \text{pmpaddr1}$ ; pmp2cfg, $\text{pmpaddr1} \leq \text{region} < \text{pmpaddr2}$ ; pmp3cfg, $\text{pmpaddr2} \leq \text{region} < \text{pmpaddr3}$ . $\text{pmpaddr}_{i-1} = A\_ADDR \gg 2$ ; $\text{pmpaddr}_i = B\_ADDR \gg 2$ .
2	NA4	Fixed 4-byte region protection. pmp0cfg~pmp3cfg correspond to pmpaddr0~pmpaddr3 as start address. $\text{pmpaddr}_i = A\_ADDR \gg 2$ .
3	NAPOT	$2^{(G+2)}$ region protection, $G \geq 1$ , and $A\_ADDR$ is $2^{(G+2)}$ aligned. $\text{pmpaddr}_i = (A\_ADDR \gg 2)   (2^{(G-1)} - 1)$ .

PMP Address 0 Register (PMPADDR0)

CSR address: 0x3B0

Bit	Name	Access	Description	Reset value
[31:0]	ADDR0	MRW	Bit[33:2] of PMP address 0. Actually, the higher 2 bits are not used.	00000000h

PMP Address 1 Register (PMPADDR1)

CSR address: 0x3B1

Bit	Name	Access	Description	Reset value
[31:0]	ADDR1	MRW	Bit[33:2] of PMP set address 1. Actually, the higher 2 bits are not used.	00000000h



## PMP Address 2 Register (PMPADDR2)

CSR address: 0x3B2

Bit	Name	Access	Description	Reset value
[31:0]	ADDR2	MRW	Bit[33:2] of PMP set address 2. Actually, the higher 2 bits are not used.	00000000h

## PMP Address 3 Register (PMPADDR3)

CSR address: 0x3B3

Bit	Name	Access	Description	Reset value
[31:0]	ADDR3	MRW	Bit[33:2] of PMP set address 3. Actually, the higher 2 bits are not used.	00000000h

## 3.4.4 SysTick Register Description

STK register base address: 0xE000F000

Table 3-3 STK registers

Name	Offset address	Description	Reset value
R32_STK_CTRL	0x00	System count control register	0x00000000
R32_STK_SR	0x04	System count status register	0x00000000
R32_STK_CNTL	0x08	System counter low register	0x00000000
R32_STK_CNTH	0x0C	System counter high register	0x00000000
R32_STK_CMPLR	0x10	Count reload low register	0x00000000
R32_STK_CMPHR	0x14	Count reload high register	0x00000000

## System Count Control Register (STK\_CTRL)

Bit	Name	Access	Description	Reset value
31	SWIE	RW	Software interrupt trigger enable (SWI): 1: Trigger software interrupt; 0: Disable trigger. This bit must be cleared after going into software interrupt, otherwise trigger will be always enabled.	0
[30:6]	Reserved	RO	Reserved	0000000h
5	INIT	W1	Counter initial value update: 1: Upcount from 0, downcount from comparison value; 0: No effect.	0
4	MODE	RW	Count mode: 1: Downcount; 0: Upcount.	0
3	STRE	RW	Auto reload count enable: 1: Count from 0 after upcounting to comparison value, downcount from comparison value after downcounting to 0; 0: Continue upcounting/downcounting.	0
2	STCLK	RW	Counter clock source select: 1: HCLK as timebase;	0

			0: HCLK/8 as timebase.	
1	STIE	RW	Counter interrupt enable control bit: 1: Enable counter interrupt; 0: No counter interrupt.	0
0	STE	RW	System counter enable control bit: 1: Enable system counter STK; 0: Disable system counter STK; the counter stops counting.	0

## System Count Status Register (STK\_SR)

Bit	Name	Access	Description	Reset value
[31:1]	Reserved	RO	Reserved	00000000h
0	CNTIF	RW0	Count value compare flag, cleared when writing 0, while invalid when writing 1: 1: Upcount to comparison value, downcount to 0; 0: Not reach the comparison value.	0

## System Counter Low Register (STK\_CNTL)

Bit	Name	Access	Description	Reset value
[31:0]	CNTL	RW	Lower 32 bits of STK counter count value.	00000000h

## System Counter High Register (STK\_CNTH)

Bit	Name	Access	Description	Reset value
[31:0]	CNTH	RW	Higher 32 bits of STK counter count value.	00000000h

## Count Reload Low Register (STK\_CMPLR)

Bit	Name	Access	Description	Reset value
[31:0]	CMPL	RW	Set reload counter value lower 32 bits.	00000000h

## Count Reload High Register (STK\_CMPHR)

Bit	Name	Access	Description	Reset value
[31:0]	CMPH	RW	Set reload counter value higher 32 bits.	00000000h

## Chapter 4 System Control

### 4.1 Reset Control

The system supports 6 types of resets, including Real Power on Reset (RPOR), external Manual Reset (MR), internal Software Reset (SR), Watch-dog Time-out Reset (WTR), Global Reset by Waking under Shutdown Mode (GRWSM) and Local Reset by Waking (LRW).

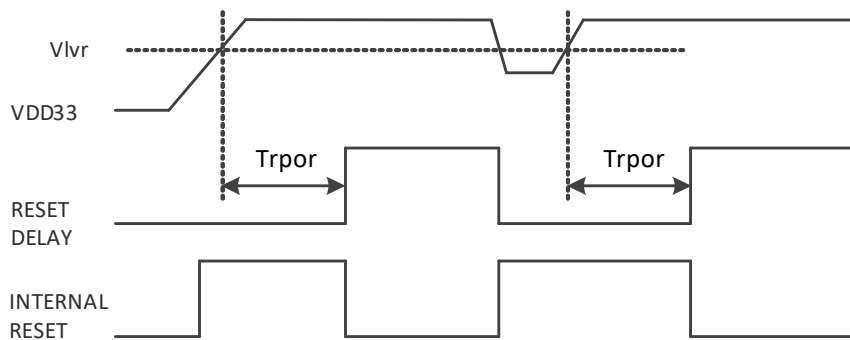
The R8\_GLOB\_RESET\_KEEP register and the RB\_ROM\_CODE\_OFS register are reset only when RPOR or GRWSM occurs, and are not affected by other types of resets.

Please refer to the timing parameter table in Section 20.5 for the timing parameters and reset property parameters in the figure below.

#### 4.1.1 Real Power on Reset (RPOR)

When the power is on, the POR module inside the chip will generate a power-on reset and delay to wait for the power to stabilize. In addition, during operation, when the power voltage is lower than  $V_{lvr}$ , the internal LVR module of the chip will generate a low voltage reset until the voltage rises, and delay to wait for the power to stabilize. The figure below shows the power-on reset process and the low-voltage reset process.

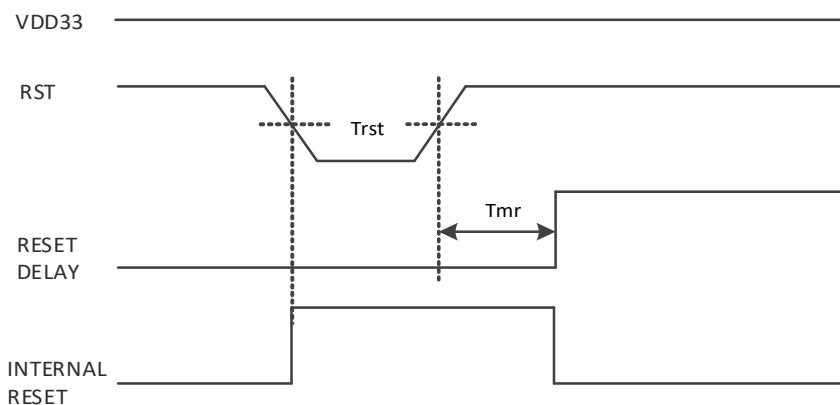
Figure 4-1 Real power on reset



#### 4.1.2 External Manual Reset (MR)

The external manual reset is triggered by a low level externally added to the RST# pin. When the duration of reset low level is greater than the minimum reset pulse width (Trst), the system is triggered to reset.

Figure 4-2 External manual reset



### 4.1.3 Internal Software Reset (SR)

Internal software reset is automatically carried out without external intervention. Set the bit RB\_SOFTWARE\_RESET of global reset configuration register (R8\_RST\_WDOG\_CTRL) to 1, to realize software reset. This bit will be automatically cleared to 0.

### 4.1.4 Watchdog Reset (WTR/IWDG)

Watchdog Reset includes both Watchdog Timeout Reset and Independent Watchdog Reset. Watchdog Timeout Reset (WTR) is based on an 8-bit incremental counter with a count clock period of  $131072/F_{sys}$ . When Watchdog Timeout Reset is enabled, the entire system will be reset once this counter overflows.

Independent Watchdog (IWDG) is internally a decrementing 12-bit counter that will generate a system reset when the counter value is decremented to 0.

### 4.1.5 Global Reset by Waking under Shutdown Mode (GRWSM)

Once the system enters the shutdown mode (see the power management chapter for details), the system will perform the wake-up operation in an orderly manner under the action of the wake-up signal, and the system will perform a global reset after wake-up. This reset effect is similar to that of power-on reset.

### 4.1.6 Local Reset by Waking (LRW)

If the system is awakened from sleep mode, a reset will be generated after the associated power is ready. It is a partial reset, with a selective reset of the registers that are powered down in sleep mode as needed.

In sleep mode, the registers of each functional module are divided into 3 categories:

The first type is the key registers belonging to the functional module that requires data retention (such as configuration/mode, etc.). At the time of sleep, the auxiliary power continues to supply power, and the data is not lost, both sleep and wake-up have no effect on data;

The second type is the regenerative registers belonging to the functional module that requires data retention (such as counters, FIFOs, etc.). The power is turned off during sleep, and the data is a random number (such as FIFO memory cell) or reset (such as FIFO counter) after waking up;

The third type is the register belonging to the functional module that does not require data retention. The power is turned off during sleep, and the data is a random number (such as FIFO memory cell) or reset (such as FIFO counter, configuration/mode register) after waking up.

LRW is used for the latter 2 reset registers above.

## 4.2 Safe Access

The attributes of some registers of the system are "RWA" or "WA", indicating that the current register can be safely accessed and can be read directly, but needs to enter the safe access mode when write-in:

First write 0x57 to the R8\_SAFE\_ACCESS\_SIG register;

Then write 0xA8 to the R8\_SAFE\_ACCESS\_SIG register;

At this time, you can enter the safe access mode and operate the registers with the attribute "RWA/WA". After that, about 112 system frequency cycles ( $T_{sys}$ ) are in safe mode, and one or more secure registers can be rewritten within the valid period. The safe mode will be automatically terminated after the above validity period is exceeded. Or you can write 0x00 in the R8\_SAFE\_ACCESS\_SIG register in advance to terminate the safe mode.

## 4.3 Register Description

Table 4-1 System control registers

Name	Access address	Description	Reset value
R8_SAFE_ACCESS_SIG	0x40001040	Safe access flag register	0x00
R8_CHIP_ID	0x40001041	Chip ID register	0x92/0x91
R8_SAFE_ACCESS_ID	0x40001042	Safe access ID register	0x0C
R8_WDOG_COUNT	0x40001043	Watchdog counter register	0x00
R8_RESET_STATUS	0x40001044	Reset status register	0x01
R8_GLOB_ROM_CFG	0x40001044	FlashROM application configuration register	0x01
R8_GLOB_CFG_INFO	0x40001045	Global configuration information status register	0xX8
R8_RST_WDOG_CTRL	0x40001046	Watchdog and reset configuration register	0x00
R8_GLOB_RESET_KEEP	0x40001047	Reset keep register	0x00
R32_FLASH_DATA	0x40001800	FlashROM word data register	0xFFFFFFFF
R32_FLASH_CONTROL	0x40001804	FlashROM control register	0x074000XX
R8_FLASH_DATA	0x40001804	FlashROM byte data register	0xXX
R8_FLASH_CTRL	0x40001806	FlashROM access control register	0x40
R8_FLASH_CFG	0x40001807	FlashROM access configuration register	0x07

Safe Access Flag Register (R8\_SAFE\_ACCESS\_SIG)

Bit	Name	Access	Description	Reset value
[7:0]	R8_SAFE_ACCESS_SIG	WO	Safe access flag register. Some registers (access attribute is RWA) are protection registers and write operation can be conducted only after entering the safe access mode. Write 0x57 first and then 0xA8 to this register, to enter the safe access mode. The time is limited to about 16 main clock cycles (Tsys), and automatic protection is enabled if it is exceeded. You can write any other value to force direct exit from the safe access mode and return to the protected state.	00h
7	Reserved	RO	Reserved	0
[6:4]	RB_SAFE_ACC_TIMER	RO	Count the current safe access time.	000b
3	RB_SAFE_ACC_ACT	RO	Current safe access mode status: 1: Writable in unlocked/safe access mode; 0: Locked, register with RWA attribute cannot be rewritten.	0
2	Reserved	RO	Reserved	0
[1:0]	RB_SAFE_ACC_MODE	RO	Current safe access mode status. 11: Safe mode, register with RWA attribute can be written;	00b

			Others: Non-safe mode.	
--	--	--	------------------------	--

## Chip ID Register (R8\_CHIP\_ID)

Bit	Name	Access	Description	Reset value
[7:0]	R8_CHIP_ID	RF	CH592: Always 92h, to identify the chip. CH591: Always 91h, to identify the chip.	92h 91h

## Safe Access ID Register (R8\_SAFE\_ACCESS\_ID)

Bit	Name	Access	Description	Reset value
[7:0]	R8_SAFE_ACCESS_ID	RF	Fixed value 0Ch.	0Ch

## Watchdog Counter Register (R8\_WDOG\_COUNT)

Bit	Name	Access	Description	Reset value
[7:0]	R8_WDOG_COUNT	RW	Watchdog counter, whose initial value can be preset, is always automatically incremented, and can be cycled from 0xFF to 0x00 and then continue. Count cycle = 131072/Fsys.	00h

## Reset Status Register (R8\_RESET\_STATUS) / FlashROM Application Configuration Register (R8\_GLOB\_ROM\_CFG)

Bit	Name	Access	Description	Reset value
7	RB_ROM_CODE_WE	RWA	Erase/program enable bit of CodeFlash in FlashROM program memory area: 1: Erase/program is enabled; 0: Erase/program protection for this area.	0
6	RB_ROM_DATA_WE	RWA	Erase/program enable bit of DataFlash in FlashROM data memory area: 1: Erase/program is enabled; 0: Erase/program protection for all.	0
5	RB_ROM_CTRL_EN	RWA	FlashROM access control interface enable: 1: Control enabled; 0: Access disabled.	0
4	RB_ROM_CODE_OFS	RWA	Select the start offset address of user program code in FlashROM. This value is not affected by MR, SR, WTR or GRWSM, and can be cleared only when RPOR is valid: 1: 0x040000 (skip the first 256KB in ROM). 0: 0x000000;	0
3	Reserved	RO	Reserved	0
[2:0]	RB_RESET_FLAG	RO	Last reset state: 000: Software reset SR (generated when RB_WDOG_RST_EN=0 and software reset,	001b

			<p>otherwise, it can be reset but this status is not generated);</p> <p>001: Real Power-on reset (RPOR);</p> <p>010: Watchdog timeout reset (WTR);</p> <p>011: External manual reset (MR);</p> <p>101: Global Reset by Waking under Shutdown Mode (GRWSM)</p> <p>100/110/111: Local Reset by waking (LRW), and the last reset is SR/WTR/MR.</p>	
--	--	--	---	--

## Global Configuration Information Status Register (R8\_GLOB\_CFG\_INFO)

Bit	Name	Access	Description	Reset value
[7: 6]	Reserved	RO	Reserved	11b
5	RB_BOOT_LOADER	RO	<p>Bootloader status:</p> <p>1: Currently in Bootloader status;</p> <p>0: Currently in application program status.</p>	1/0
4	RB_CFG_DEBUG_EN	RO	<p>2-wire simulation debug interface enable:</p> <p>1: Enable simulation and debug, and FlashROM can be read;</p> <p>0: Disable simulation and debug.</p>	0
3	RB_CFG_BOOT_EN	RO	<p>System BootLoader enable status:</p> <p>1: Enable;</p> <p>0: Disable.</p>	1
2	RB_CFG_RESET_EN	RO	<p>RST# external manual reset enable status:</p> <p>1: Enable;</p> <p>0: Disable.</p>	0
1	Reserved	RO	Reserved	0
0	RB_CFG_ROM_READ	RO	<p>Code and data area protection status in FlashROM:</p> <p>1: External programmer is readable;</p> <p>0: Protected, externally inaccessible, and the program is kept secret.</p>	0

## Watchdog and Reset Configuration Register (R8\_RST\_WDOG\_CTRL)

Bit	Name	Access	Description	Reset value
[7:5]	Reserved	RO	Reserved	000b
4	RB_WDOG_INT_FLAG	RW1	<p>Watchdog timer interrupt flag:</p> <p>1: Watchdog count overflows, that is, R8_WDOG_COUNT is detected to progressively increase from 0xFF to 0x00;</p> <p>0: Watchdog count has not overflowed. Write 1 to clear, or reload the watchdog counter value (R8_WDOG_COUNT) to clear, or execute SEV() to clear.</p>	0

3	Reserved	RO	Reserved	0
2	RB_WDOG_INT_EN	RWA	Watchdog timer interrupt enable bit: 1: Enable, an interrupt will be generated after the watchdog count overflows; 0: Disable the watchdog timer interrupt.	0
1	RB_WDOG_RST_EN	RWA	Watchdog timeout reset enable bit: 1: Enable, system is reset after the watchdog count overflows; 0: Only used as watchdog timer. <i>Note: After this bit is set to 1, the software reset operation will not affect the RB_RESET_FLAG status.</i>	0
0	RB_SOFTWARE_RESET	WA/ WZ	System software reset control; automatically cleared after reset: 1: Perform system software reset; 0: Idle, no action.	0

#### Reset Keep Register (R8\_GLOB\_RESET\_KEEP)

Bit	Name	Access	Description	Reset value
[7:0]	R8_GLOB_RESET_KEEP	RW	Reset keep register. The value of this register is not affected by manual reset, software reset, watchdog reset or ordinary wake-up reset.	00h

For the operation or setting of FlashROM, please refer to related subprograms. This datasheet does not provide the introductions to FlashROM word data registers and FlashROM control registers.

## 4.4 Flash-ROM Operation Steps

1. Erase Flash-ROM, please refer to and call related subprograms.
2. Write Flash-ROM, please refer to and call the related subprograms.
3. Read Flash-ROM, read the code or data of the target address through the pointer to the program memory space.

## 4.5 Unique ID

Each chip has a unique ID (chip identification number) when it is delivered from the factory. The ID data and its checksum are 8 bytes in total, stored in the read-only area of chip. Please refer to the routines for details.



# Chapter 5 Power Control

## 5.1 Power Management

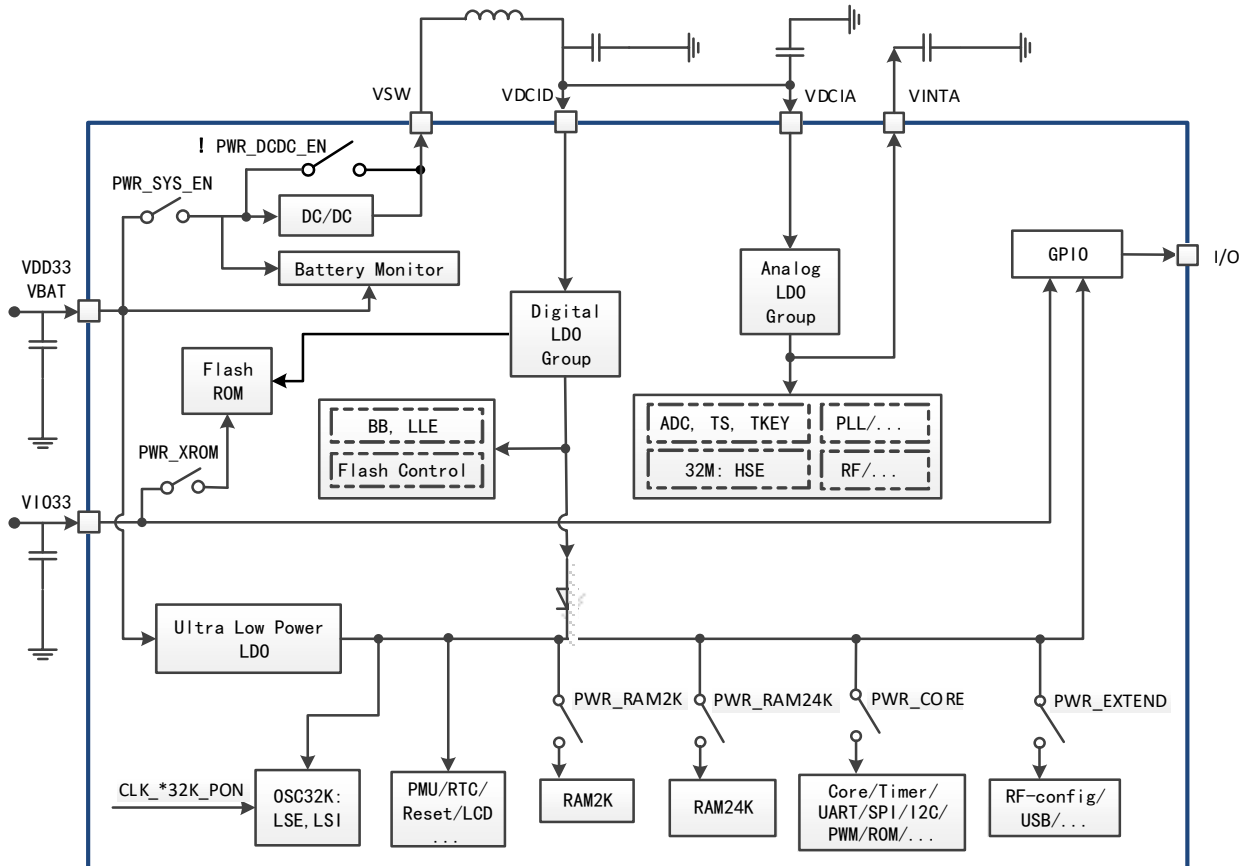
CH592 has a built-in Power Management Unit (PMU). The system power is input from VDD33 to provide the FlashROM, digital circuits (including core, USB, etc.) and analog circuits (including high-frequency oscillator, PLL, ADC and RF transceiver) of system with the required power through the built-in multiple LDO voltage regulators. The power of GPIO and FlashROM is input from VIO33.

There are 2 types of power supply during normal work: direct power and DC-DC conversion. In addition to normal operation, CH592 provides 4 low-power modes: idle mode, suspend mode, sleep mode and power-off mode.

DC-DC is not enabled by default after power-on, but a direct power is provided, with a small voltage ripple. In order to reduce the system power consumption during normal operation, you can choose to enable DC-DC to increase the power consumption utilization rate, and the operating current will usually drop to about 60% of that when direct power is used.

In order to reduce the power consumption of the system during sleep, you can choose to turn off the main LDO of the system and switch to the built-in ultra-low power ULP-LDO of the system to provide the auxiliary power. When the system gets into sleep or power-down mode, in addition to power management and RTC registers and other normal power units, you can select whether to maintain the power supply of the high 2KB and low 24KB SRAM, core and all peripherals of system, and whether to enable LSE/LSI.

Figure 5-1 Power system



## 5.2 Register Description

Table 5-1 Power management registers

Name	Access address	Description	Reset value
R16_SLP_CLK_OFF	0x4000100C	Sleep clock control register	0x0000
R8_SLP_CLK_OFF0	0x4000100C	Sleep clock control register 0	0x00
R8_SLP_CLK_OFF1	0x4000100D	Sleep clock control register 1	0x00
R8_SLP_WAKE_CTRL	0x4000100E	Wakeup event configuration register	0x20
R8_SLP_POWER_CTRL	0x4000100F	Peripheral sleep power control register	0x00
R32_SLEEP_CTRL2	0x40001010	Sleep control register 2	0x00000000
R16_POWER_PLAN	0x40001020	Sleep power management register	0x31DF
R16_AUX_POWER_ADJ	0x40001022	Auxiliary power adjustment control register	0x0XXX
R8_BAT_DET_CTRL	0x40001024	Battery voltage detection control register	0x00
R8_BAT_DET_CFG	0x40001025	Battery voltage detection configuration register	0x02
R8_BAT_STATUS	0x40001026	Battery status register	0x00

### Sleep Clock Control Register 0 (R8\_SLP\_CLK\_OFF0)

Bit	Name	Access	Description	Reset value
7	RB_SLP_CLK_UART3	RWA	Clock source of UART3: 1: Disable; 0: Enable.	0
6	RB_SLP_CLK_UART2	RWA	Clock source of UART2: 1: Disable; 0: Enable.	0
5	RB_SLP_CLK_UART1	RWA	Clock source of UART1: 1: Disable; 0: Enable.	0
4	RB_SLP_CLK_UART0	RWA	Clock source of UART0: 1: Disable; 0: Enable.	0
3	RB_SLP_CLK_TMR3	RWA	Clock source of timer 3: 1: Disable; 0: Enable.	0
2	RB_SLP_CLK_TMR2	RWA	Clock source of timer 2: 1: Disable; 0: Enable.	0
1	RB_SLP_CLK_TMR1	RWA	Clock source of timer 1: 1: Disable; 0: Enable.	0
0	RB_SLP_CLK_TMR0	RWA	Clock source of timer 0: 1: Disable; 0: Enable.	0

### Sleep Clock Control Register 1 (R8\_SLP\_CLK\_OFF1)

Bit	Name	Access	Description	Reset value
7	RB_SLP_CLK_BLE	RWA	Clock source of BLE controller: 1: Disable; 0: Enable.	0
6	RB_SLP_CLK_LCD	RWA	LCD clock source: 1: Disable; 0: Enable.	
5	Reserved	RO	Reserved	0

4	RB_SLP_CLK_USB	RWA	Clock source of USB controller: 1: Disable; 0: Enable.	0
3	RB_SLP_CLK_I2C	RWA	I2C clock source: 1: Disable; 0: Enable.	0
2	RB_SLP_CLK_PWMX	RWA	PWMx clock source: 1: Disable; 0: Enable.	0
1	RB_SLP_CLK_SPI1	RWA	SPI1 clock source: 1: Disable; 0: Enable.	0
0	RB_SLP_CLK_SPI0	RWA	SPI0 clock source: 1: Disable; 0: Enable.	0

Wakeup Event Configuration Register (R8\_SLP\_WAKE\_CTRL)

Bit	Name	Access	Description	Reset value
7	RB_GPIO_WAKE_MODE	RWA	GPIO wakeup mode enable: 1: Enable; 0: Disable.	0
6	RB_WAKE_EV_MODE	RWA	Wake-up event internal memory mode enable: 1: Enable memory, support short-pulse event wake-up; 0: Disable memory, the event should remain valid until wake up.	0
5	RB_SLP_BAT_WAKE	RWA	Enable battery low voltage event wake up system: 1: Enable; 0: Disable.	1
4	RB_SLP_GPIO_WAKE	RWA	Enable GPIO event wake up system: 1: Enable; 0: Disable.	0
3	RB_SLP_RTC_WAKE	RWA	Enable RTC event wake up system: 1: Enable; 0: Disable.	0
[2:1]	Reserved	RO	Reserved	00b
0	RB_SLP_USB_WAKE	RWA	Enable USB event wake up system: 1: Enable; 0: Disable.	0

Peripheral Sleep Power Control Register (R8\_SLP\_POWER\_CTRL)

Bit	Name	Access	Description	Reset value
7	Reserved	RO	Reserved	0
6	RB_RAM_RET_LV	RWA	Auxiliary power low voltage enabled during SRAM sleep: 0: Normal power voltage, slightly high-power consumption during sleep; 1: Low power voltage, slightly low-power consumption during sleep.	0
5	RB_SLP_CLK_RAM2K	RWA	SRAM clock control of RAM2K: 1: Disable; 0: Enable.	0
4	RB_SLP_CLK_RAMX	RWA	Clock control of main SRAM (RAM30K):	0

			1: Disable; 0: Enable.	
[3:2]	Reserved	RO	Reserved	00b
[1:0]	RB_WAKE_DLY_MOD	RWA	<p>Delay cycle select after wake-up:            11: No delay, 8 cycles +T<sub>SUCLK</sub>, disabled; 10: Ultra short delay, 70 cycles +T<sub>SUCLK</sub>; 01: Short delay, 520 cycles +T<sub>SUCLK</sub>, recommended;            00: Long delay, 3590 cycles +T<sub>SUCLK</sub>.</p> <p>Where TSUCLK depends on the sleep mode and clock configuration and may contain the start-up time of TSUHSE or PLL or both combined, refer to the example in the evaluation board for the exact combination.</p>	00b

## Sleep Power Management Register (R16\_POWER\_PLAN)

Bit	Name	Access	Description	Reset value
15	RB_PWR_PLAN_EN	RWA/ WZ	<p>Sleep power planning control enable:            1: Enable planning;            0: Disable or end planning.</p> <p>The power planning is enabled for execution when entering sleep or power-off mode later, and this bit is automatically cleared after execution.</p>	0
14	Reserved	RWA	Reserved	0
13	Reserved	RWA	Reserved, 1 must be written.	1
[12:11]	Reserved	RWA	Reserved.	10b
10	RB_PWR_DCDC_PRE	RWA	<p>DC-DC bias circuit enable (effective immediately):            1: Enable; 0: Disable.</p>	0
9	RB_PWR_DCDC_EN	RWA	<p>DC-DC enable bit (effective immediately):            1: Enable DC-DC, the direct power is off;            0: Disable DC-DC, the direct power is on.</p>	0
8	RB_PWR_LDO_EN	RWA	<p>Internal LDO control (sleep planning):            1: Turn on LDO;            0: Plan to turn off LDO, saving more power.</p>	1
7	RB_PWR_SYS_EN	RWA	<p>System power control (sleep planning):            1: Provide system power (on VSW pin);            0: Turn off the system power, plan to enter sleep mode or power-off mode.</p>	1
6	RB_MAIN_ACT	RWA	<p>Main power supply selection            1: ULL_LDO;            0: LDO.</p>	1
5	Reserved	RO	Reserved	0
4	RB_PWR_RAM30K	RWA	<p>SRAM power supply of RAM30K (sleep planning):</p>	1

			1: Dual power; 0: No auxiliary power.	
3	RB_PWR_EXTEND	RWA	USB and RF configuration power supply (sleep planning): 1: Dual power; 0: No auxiliary power.	1
2	RB_PWR_CORE	RWA	Power of the core and basic peripherals (sleep planning): 1: Dual power; 0: No auxiliary power.	1
1	RB_PWR_RAM2K	RWA	SRAM power supply of RAM2K (sleep planning): 1: Dual power; 0: No auxiliary power.	1
0	RB_PWR_XROM	RWA	FlashROM power supply (sleep planning): 1: Continuous power; 0: Power off during sleep.	1

*This register is preset for sleep planning except RB\_PWR\_DCDC\_PRE and RB\_PWR\_DCDC\_EN, and its power configuration will take effect after entering the low-power sleep mode and power-down mode.*

#### Auxiliary Power Adjustment Control Register (R16\_AUX\_POWER\_ADJ)

Bit	Name	Access	Description	Reset value
[15:12]	Reserved	RO	Reserved	0000b
[11:8]	RB_CFG_IVREF	RWA	Reserved, read-only. Write operation has no effect.	XXXXb
7	RB_DCDC_CHARGE	RWA	Low-power auxiliary DC-DC enable bit: 1: Auxiliary DC-DC enabled; 0: Auxiliary DC-DC disabled.	0
[6:5]	Reserved	RO	Reserved	00b
[4:3]	Reserved	RWA	Reserved, the original value must be kept unchanged when writing.	XXb
[2:0]	RB_ULPLDO_ADJ	RWA	The auxiliary power output voltage adjustment value of ultra-low power LDO (the value is for reference only, and it is not recommended to modify): 000: 0.77V;           001: 0.80V; 010: 0.84V;           011: 0.88V; 100: 0.91V;           101: 0.94V; 110: 0.99V;           111: 1.03V.	XXXb

#### Battery Voltage Detection Control Register (R8\_BAT\_DET\_CTRL)

Bit	Name	Access	Description	Reset value
[7:4]	Reserved	RO	Reserved	0h
3	RB_BAT_LOW_IE	RWA	Battery low voltage interrupt enable: 1: Enable;   0: Disable.	0
2	RB_BAT_LOWER_IE	RWA	Battery ultra-low voltage interrupt enable: 1: Enable;   0: Disable.	0
1	RB_BAT_MON_EN	RWA	Low-power battery voltage monitor function	0

			enable: 1: Enable, increasing about 1uA current; 0: Disable.	
0	RB_BAT_LOW_VTHX	RWA	When RB_BAT_MON_EN=1, set the low-power low voltage monitoring threshold. Refer to RB_BAT_LOW_VTH.	0
0	RB_BAT_DET_EN	RWA	High-precision battery voltage detection function enable when RB_BAT_MON_EN=0 1: Enable, and turn on modules such as reference voltage simultaneously, and the current is 80uA in sleep mode; 0: Disable.	0

*Note: If the battery voltage reaches the lower voltage detection threshold and both RB\_BAT\_LOWER\_IE and RB\_BAT\_LOW\_IE are enabled (only one of them is enabled under normal conditions), NMI non-maskable interrupt will be generated, which is equivalent to increasing the interrupt priority.*

#### Battery Voltage Detection Configuration Register (R8\_BAT\_DET\_CFG)

Bit	Name	Access	Description	Reset value
[7:2]	Reserved	RO	Reserved	00h
[1:0]	RB_BAT_LOW_VTH	RWA	When RB_BAT_MON_EN=0, set the high-precision ultra-low voltage and low voltage detection threshold: (ultra-low voltage reference threshold, low voltage reference threshold) 00: 1.7V , 1.95V; 01: 1.9V , 2.15V; 10: 2.1V , 2.35V; 11: 2.3V , 2.55V. When RB_BAT_MON_EN=1, take RB_BAT_LOW_VTHX as the highest bit, adding these 2 bits, these 3 bits are used to set the low-power low-voltage monitoring threshold: 000: 1.7V; 001: 1.8V; 010: 1.9V; 011: 2.0V; 100: 2.1V; 101: 2.2V; 110: 2.3V; 111: 2.4V.	10b

#### Battery Status Register (R8\_BAT\_STATUS)

Bit	Name	Access	Description	Reset value
[7:2]	Reserved	RO	Reserved	00h
1	RB_BAT_STAT_LOW	RO	The result of battery low-voltage detection or low-voltage monitoring, indicating that the battery voltage is in low voltage status: 1: Below the low voltage threshold; 0: No.	0

0	RB_BAT_STAT_LOWER	RO	When RB_BAT_MON_EN=0, it indicates that battery voltage is in ultra-low voltage status: 1: Below the ultra-low voltage threshold; 0: No.	0
---	-------------------	----	--	---

### 5.3 Low-power Mode

After the system is reset, the microcontroller is in normal operation. When the MCU does not need to run, an appropriate low-power mode can be selected to save power. The user needs to select an appropriate low-power mode based on conditions such as the lowest power consumption, the fastest startup time and available wake-up events.

The chip provides the following 4 main low-power modes:

- Idle mode

All peripherals remain powered, the core stops running, and the clock system is running. After a wake-up event is detected, it can be woken up immediately.

- Halt mode

On the basis of idle mode, the clock system stops. After a wake-up event is detected, the clock will run first, and then the core will be woken up to run.

- Sleep mode:

The main LDO is turned off, and the ultra-low power ULP-LDO maintains the power supply of PMU, core and basic peripherals. You can select whether to turn on LSE or LSI, and to maintain power supply of RAM2K, RAM30K, USB and RF configurations. After a wake-up event is detected, first the main LDO is turned on, then the clock will run, and finally the core will be woken up, the program will continue to run, and a higher frequency can be reset when needed.

- Shutdown mode:

Based on the sleep mode, the core and basic peripherals, USB and RF configurations are turned off, and you can select whether to turn on LSE or LSI, and to maintain power supply of RAM2K and RAM30K. After detecting a wake-up event, PMU will perform a GRWSM reset, and the software can distinguish RPOR based on the reset flag RB\_RESET\_FLAG and the data retained in optional RAM.

The following table describes in detail the characteristics and wake-up means in several low-power modes:

Table 5-2 Low power modes

Mode	Feature	Entry condition	Wakeup event	Test condition	Power consumption
Idle	The peripherals are powered normally, the core stops running, the clock system is running, but the clocks of each peripheral can be selected to turn off by the peripheral clock control bit.	Set SLEEPDEEP=0, execute WFI() or WFE() after setting the wake-up conditions.	I/O or RTC or BAT or USB or I2C or SysTick or SPI or TMR or UART	16MHz main frequency, FLASH chip select off, peripheral clock off	1.1mA
Halt	The peripherals are powered normally, the core stops running, the clock system stops (PLL/HSE).	Set SLEEPDEEP=1, execute WFI() or WFE() after setting the wake-up conditions.	I/O or RTC or BAT or USB	XT_FORCE_EN=1	1.0mA
				XT_FORCE_EN=0	180uA

Sleep	The main LDO is off, and the ultra-low power ULP-LDO maintains power supply of PMU, core and basic peripherals, you can select whether to turn on LSE or LSI, and to maintain power supply of RAM2K, RAM24K, USB and RF configurations.	Set SLEEPDEEP=1, execute WFI() or WFE() after setting the wake-up conditions.	I/O or RTC or BAT. The chip will continue to run after woken up.	See Table 5-3 for details	0.8uA~2.5uA
Shut down	Ultra-low power consumption LDO maintains power supply of PMU, you can select whether to turn on LSE or LSI, and to maintain power supply of RAM2K and RAM24K for data retention.	Set SLEEPDEEP=1, set POWER_PLAN, execute WFI() or WFE() after setting the wake-up conditions.	I/O or RTC or BAT. The chip will automatically reset after woken up	See Table 5-3 for details	0.3uA~1.3uA



The following table describes the detailed configurations of several low-power modes:

Table 5-3 Detailed configuration example of low-power mode

Planning configuration	SYS_EN	RAM2K	RAM24K	CK32K	CORE	EXTEND	LCD	Power consumption (for reference only)
Maintaining supply function	System power VSW	Data area 2KB	Data area 24KB	LSE/LSI RTC wake-up	CPU core and basic peripherals	USB and RF configurations	LCD segment display	PMU and RTC registers are always powered, about 0.3uA
Common configurations in shutdown mode	0	0	0	0	0	0	0	0.3uA
	0	1	0	0	0	0	0	0.5uA
	0	0	1	0	0	0	0	1.3uA
	0	0	0	1	0	0	0	0.6uA (LSI) 0.8uA (LSE)
	0	1	0	1	0	0	0	0.8uA (LSI) 1.0uA (LSE)
Common configurations in sleep mode	0	1	0	0	1	0	0	0.8uA
	0	1	0	1	1	0	0	1.1uA (LSI) 1.3uA (LSE)
	0	0	1	0	1	0	0	1.7uA
	0	0	1	1	1	0	0	2.0uA (LSI) 2.2uA (LSE)
	0	1	1	1	1	1	0	2.3uA (LSI) 2.5uA (LSE)
	0	1	1	1	1	1	1	7.3uA <sup>(1)</sup>

Note: 1. Current parameters are measured at room temperature, note that the temperature changes lead to current changes;

2. LCD set SCAN\_CLK\_SEL=128, LCD\_DUTY=1/4, LCD\_BIAS=1/3, LCD\_RAM all for 1. LCD module sample test results at 25°C is about 5uA; 0-50°C is about 7uA, the worst is 12uA; -20-75°C is about 17uA, the worst is 40uA.

## 5.4 DC-DC Operation Steps

Enable DC-DC power mode (It is needed to confirm the inductance and capacitance required by DC-DC on the external hardware circuit before enabling)

- (1) Enter safe access mode: First write 0x57 to the R8\_SAFE\_ACCESS\_SIG register and then write 0xA8;
- (2) Open DC-DC bias circuit: Set the RB\_PWR\_DCDC\_PRE in the R16\_POWER\_PLAN register to 1;
- (3) delay about 10uS;
- (4) Enter secure access mode: register R8\_SAFE\_ACCESS\_SIG is written to 0x57 first, then to 0xA8;
- (5) Turn on the DC-DC power: Set the RB\_PWR\_DCDC\_EN in the R16\_POWER\_PLAN register to 1, to enable DC-DC.

Disable DC-DC and switch to direct power mode

- (1) Enter safe access mode: First write 0x57 to the R8\_SAFE\_ACCESS\_SIG register and then write 0xA8;
- (2) Clear the RB\_PWR\_DCDC\_EN and RB\_PWR\_DCDC\_PRE control bits in the R16\_POWER\_PLAN register.

## Chapter 6 System Clock and RTC

### 6.1 Introduction to System Clock

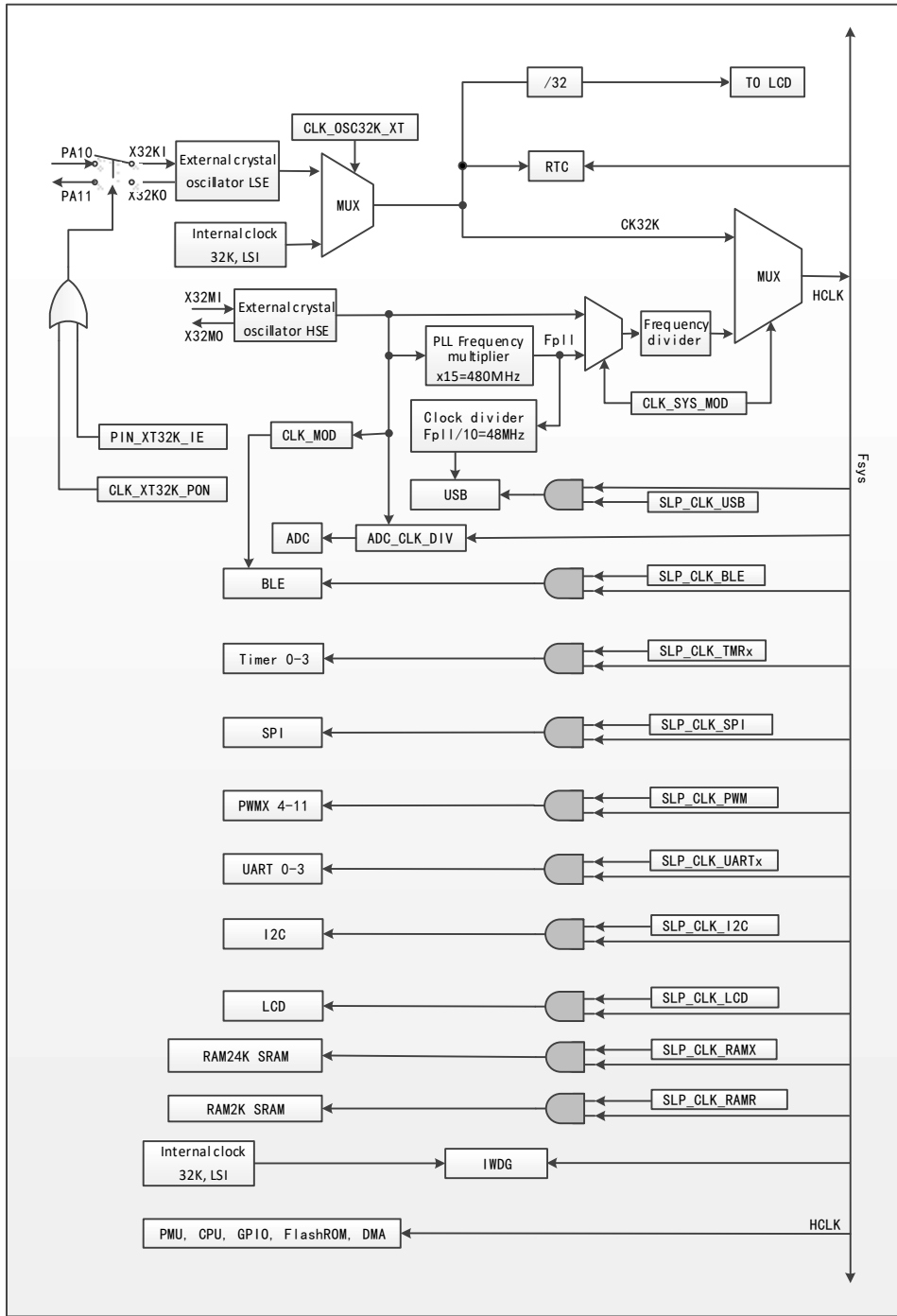
The following different clock sources can be selected to drive the system clock HCLK (Fsys)

- Frequency division of HSE.
- Internal PLL (480MHz by default) frequency division.
- LSE or LSI original clock CK32K.

Any clock source can be turned on/off independently, thereby optimizing system power consumption.

### 6.1.1 Clock Architecture

Figure 6-1 Clock tree block diagram



The figure above is the internal clock tree architecture of the system. The 32KHz clock source (CK32K) is selected for RTC function, so the low-frequency clock must be turned on when using these functions. USB data transfer depends on the clock source generated by PLL. Other peripheral driven clock and digital control logic are driven by the system clock or by frequency re-division.

## 6.2 Introduction to RTC

The Real-time Clock (RTC) is an independent timer that contains a set of counters that can count continuously. Under the corresponding software configuration, a simple calendar function is available. Reset the current time and date by modifying the value of counter.

The RTC register is powered as often as the PMU. After the system is reset or woken up from low power mode, RTC setting and time remain unchanged.

### 6.2.1 Main Features

- 2 modes that can be configured:
  - Timing mode: A fixed cycle time (timing) can be selected for the software to generate interrupt notifications.
  - Trigger mode: Match a target alarm clock time preset by the software to generate an interrupt notification.
- 3 groups of 16-bit counters that provide count of CK32K primitive cycle, 2s cycle and 1-day cycle.

## 6.3 Register Description

Table 6-1 Clock and oscillator control registers

Name	Access address	Description	Reset value
R32_CLK_SYS_CFG	0x40001008	System clock configuration register	0x00140005
R16_INT32K_TUNE	0x4000102C	Internal 32KHz clock tune register	0x1011
R8_XT32K_TUNE	0x4000102E	32KHz clock resonance tune register	0xC3
R8_CK32K_CONFIG	0x4000102F	32KHz oscillator configuration register	0xX2
R8_XT32M_TUNE	0x4000104E	External 32MHz clock resonance tune register	0x32
R16_OSC_CAL_CNT	0x40001050	Oscillator frequency calibration count register	0xFFFF
R8_OSC_CAL_OV_CNT	0x40001052	Oscillator frequency calibration overflow count register	0x00
R8_OSC_CAL_CTRL	0x40001053	Oscillator frequency calibration control register	0x09
R8_PLL_CONFIG	0x4000104B	PLL configuration register	0x02
R8_RTC_FLAG_CTRL	0x40001030	RTC flag and control register	0x30
R8_RTC_MODE_CTRL	0x40001031	RTC mode control register	0xC2
R32_RTC_TRIG	0x40001034	RTC trigger value register	0x00000000
R16_RTC_CNT_32K	0x40001038	RTC based 32768Hz count value register	0xFFFF
R16_RTC_CNT_2S	0x4000103A	RTC count value register in the unit of 2S	0xFFFF
R32_RTC_CNT_DAY	0x4000103C	RTC count value register in the unit of day	0x0000XXXX

System Clock Configuration Register (R16\_CLK\_SYS\_CFG)

Bit	Name	Access	Description	Reset value
[31:21]	Reserved	RO	Reserved	000h
20	RB_PLL_PWR_EN	RWA	PLL power control bit: 1: Power on; 0: Power off.	1
19	RB_XT_FORCE_EN	RWA	For controlling the stopping of the clock system in suspend mode:	0

			1: HSE and PLL are not automatically stopped in Halt mode; 0: Halt mode to stop HSE and PLL automatically.	
18	RB_XT_32M_PWR_EN	RWA	External 32 MHz oscillator HSE power control bits: 1: Power on; 0: Power off.	1
[17:16]	Reserved	RO	Reserved	00b
[15:8]	Reserved	RO	Reserved	00h
[7:6]	RB_CLK_SYS_MOD	RWA	HCLK system clock source mode selection: 00/10: CK32M (32MHz by default) for frequency division; 01: PLL (480MHz by default) for frequency division; 11: CK32K (32KHz by default), used as HCLK.	00b
5	Reserved	RO	Reserved	0
[4:0]	RB_CLK_PLL_DIV	RWA	HCLK output clock frequency division factor, the minimum value is 2. 0 means the maximum value 32. Write 1 to disable HCLK.	00101b

Calculation:

$F_{ck32m} = XT\_32MHz;$

$F_{ck32k} = RB\_CLK\_OSC32K\_XT ? XT\_32KHz : RC\_32KHz;$

$F_{pll} = F_{ck32m} * 15 = 480MHz;$

$F_{sys} = RB\_CLK\_SYS\_MOD == 3 ? F_{ck32k} : (RB\_CLK\_SYS\_MOD[0] ? F_{pll} : F_{ck32m}) / RB\_CLK\_PLL\_DIV;$

Power-on default value  $F_{sys} = F_{ck32m} / RB\_CLK\_PLL\_DIV = 32MHz / 5 = 6.4MHz;$

$F_{sys}$  range: 32KHz, 2MHz~10MHz, 15MHz~80MHz

Internal 32KHz Clock Tune Register (R16\_INT32K\_TUNE)

Bit	Name	Access	Description	Reset value
[15:13]	Reserved	RO	Reserved	000b
[12:0]	RB_INT32K_TUNE	RWA	Internal RC 32KHz clock frequency calibration value.	1011h

32KHz Clock Resonance Tune Register (R8\_XT32K\_TUNE)

Bit	Name	Access	Description	Reset value
[7:4]	RB_XT32K_C_LOAD	RWA	Select the built-in load capacitor matching the external 32KHz crystal (which may affect the RTC clock accuracy). Capacitance = $RB\_XT32K\_C\_LOAD + 12pF$ . 0000b to 1111b correspond to approximately 12pF to 27pF, respectively. Select according to the crystal parameters used.	1100b
[3:2]	Reserved	RO	Reserved	00b
[1:0]	RB_XT32K_I_TUNE	RWA	32KHz oscillator bias current select:	11b

			00: 70% of rated current; 01: Rated current; 10: 140% of rated current; 11: 200% of rated current. The current can be changed to the rated current after the crystal oscillator is stable.	
--	--	--	--	--

## 32KHz Oscillator Configuration Register (R8\_CK32K\_CONFIG)

Bit	Name	Access	Description	Reset value
7	RB_32K_CLK_PIN	RO	32KHz clock pin status (asynchronous signal).	X
[6:4]	Reserved	RO	Reserved	000b
3	RB_CLK_OSC32K_FILT	RWA	Internal 32KHz oscillator noise filter mode: 1: Disable; 0: Enable.	0
2	RB_CLK_OSC32K_XT	RWA	CK32K (32KHz) clock source select bit: 1: External 32KHz oscillator; 0: Internal 32KHz oscillator.	0
1	RB_CLK_INT32K_PON	RWA	Internal 32KHz oscillator power control bit: 1: Power on; 0: Power off.	1
0	RB_CLK_XT32K_PON	RWA	External 32KHz oscillator power control bit: 1: Power on; 0: Power off.	0

## External 32MHz Clock Resonance Tune Register (R8\_XT32M\_TUNE)

Bit	Name	Access	Description	Reset value
7	Reserved	RO	Reserved	0
[6:4]	RB_XT32M_C_LOAD	RWA	Select the built-in load capacitor that matches the external 32MHz crystal (Which may affect wireless communication): Capacity=RB_XT32M_C_LOAD*2+10pF, 000b~111b correspond to approximately 10pF~24pF respectively. Select according to the parameters of crystal used; the common value is 111b.	011b
[3:2]	Reserved	RO	Reserved	00b
[1:0]	RB_XT32M_I_BIAS	RWA	External 32MHz oscillator bias current select: 00: 75% of rated current; 01: Rated current; 10: 125% of rated current; 11: 150% of rated current.	10b

## Oscillator Frequency Calibration Count Register (R16\_OSC\_CAL\_CNT)

Bit	Name	Access	Description	Reset value
15	RB_OSC_CAL_IF	RW1	Oscillator capture complete interrupt flag bit, write 1 to clear it:	0

			1: Interrupt; 0: No interrupt.	
14	RB_OSC_CAL_OV_CLR	RW1	R8_OSC_CAL_OV_CNT register value non-zero indicator, write 1 to clear R8_OSC_CAL_OV_CNT.	0
[13:0]	RB_OSC_CAL_CNT	RO	Count value based on system clock frequency of multiple CK32K cycles, used to calibrate internal 32KHz oscillator frequency.	XXXXh

## Oscillator Frequency Calibration Overflow Count Register (R8\_OSC\_CAL\_OV\_CNT)

Bit	Name	Access	Description	Reset value
[7:0]	RB_OSC_CAL_OV_CNT	RO	Oscillator frequency calibration count overflow times, write 1 to RB_OSC_CAL_OV_CLR to clear this register.	XXh

## Oscillator Frequency Calibration Control Register (R8\_OSC\_CAL\_CTRL)

Bit	Name	Access	Description	Reset value
7	Reserved	RO	Reserved	0
6	RB_OSC_CNT_END	RWA	Oscillator capture end-point selection: 1: 2 additional cycles; 0: No.	0
5	RB_OSC_CNT_EN	RWA	Oscillator frequency calibration counter enable: 1: Enable counting; 0: Disable counting.	0
4	RB_OSC_CAL_IE	RWA	Oscillator capture complete interrupt enable: 1: Enable; 0: Disable.	0
3	RB_OSC_CNT_HALT	RO	Oscillator frequency calibration counter count status: 1: Counting is being paused; 0: Counting is in progress.	0
[2:0]	RB_OSC_CNT_TOTAL	RWA	Oscillator capture total cycle selection: 000: 1 cycle; 001: 2 cycles; 010: 4 cycles; 011: 32 cycles; 100: 64 cycles; 101: 128 cycles; 110: 1024 cycles; 111: 2047 cycles.	001b

## PLL Configuration Register (R8\_PLL\_CONFIG)

Bit	Name	Access	Description	Reset value
7	Reserved	RO	Reserved	0
[6:0]	RB_PLL_CFG_DAT	RWA	PLL configuration parameters.	0000010b

## RTC Flag and Control Register (R8\_RTC\_FLAG\_CTRL)

Bit	Name	Access	Description	Reset value
7	RB_RTC_TRIG_FLAG	RO	RTC trigger mode activation flag.	0
6	RB_RTC_TMR_FLAG	RO	RTC timing mode activation flag.	0



5	RB_RTC_TRIG_CLR	RW	This bit is always 1 when the trigger mode is disabled. When the trigger mode is enabled, write 1, clear the trigger mode activation flag RB_RTC_TRIG_FLAG and automatically cleared to 0.	1
4	RB_RTC_TMR_CLR	RW	When the timing mode is disabled, this bit is fixed as 1. When the timing mode is enabled, write 1, clear the timing mode activation flag RB_RTC_TMR_FLAG and automatically cleared to 0.	1
[3:0]	Reserved	RO	Reserved	0h

## RTC Mode Control Register (R8\_RTC\_MODE\_CTRL)

Bit	Name	Access	Description	Reset value
7	RB_RTC_LOAD_HI	RWA	Write 1 to load the high word of RTC counter, and automatically cleared to 0 after loading. Load R32_RTC_TRIG (actually only the low 14 bits) to R32_RTC_CNT_DAY.	1
6	RB_RTC_LOAD_LO	RWA	Write 1 to load the low word of RTC counter, and automatically cleared after loading. Load the high 16 bits of R32_RTC_TRIG to R16_RTC_CNT_2S; load the low 16 bits of R32_RTC_TRIG to R16_RTC_CNT_32K.	1
5	RB_RTC_TRIG_EN	RWA	RTC trigger mode enable: 1: Enable; 0: Disable.	0
4	RB_RTC_TMR_EN	RWA	RTC timing mode enable: 1: Enable; 0: Disable.	0
3	RB_RTC_IGNORE_B0	RWA	Ignore and compare the lowest bit of matching value in trigger mode: 1: Ignore the lowest bit; 0: Compare the lowest bit.	0
[2:0]	RB_RTC_TMR_MODE	RWA	RTC timing mode fixed cycle (timing) selection: 000: 0.125S; 001: 0.25S; 010: 0.5S; 011: 1S; 100: 2S; 101: 4S; 110: 8S; 111: 16S.	010b

## RTC Trigger Value Register (R32\_RTC\_TRIG)

Bit	Name	Access	Description	Reset value
[31:0]	R32_RTC_TRIG	RWA	The preset matching value in RTC trigger mode, and the high 16 bits and low 16 bits are	00000000h

			matched with R16_RTC_CNT_2S and R16_RTC_CNT_32K respectively. Cooperate with RB_RTC_LOAD_LO and RB_RTC_LOAD_HI to update the current value of RTC counter.	
--	--	--	--	--

*Note: The preset matching value is not directly written into the target time, and it involves simple calculations. Please refer to the following instructions.*

#### RTC Count Value Register Based on 32768Hz (R16\_RTC\_CNT\_32K)

Bit	Name	Access	Description	Reset value
[15:0]	R16_RTC_CNT_32K	RO	RTC count value register based on 32768Hz.	XXXXh

#### RTC Count Value Register in the Unit of 2S (R16\_RTC\_CNT\_2S)

Bit	Name	Access	Description	Reset value
[15:0]	R16_RTC_CNT_2S	RO	The current count value of the RTC in 2S units.	XXXXh

#### RTC Count Value Register in the Unit of Day (R32\_RTC\_CNT\_DAY)

Bit	Name	Access	Description	Reset value
[31:14]	Reserved	RO	Reserved	0
[13:0]	R32_RTC_CNT_DAY	RO	RTC current count value in the unit of day.	XXXXb

## 6.4 Functional Description and Configuration

### 6.4.1 RTC Counter Initialization

- Set the value of the R32\_RTC\_TRIG register and set RB\_RTC\_LOAD\_HI, to load the value of the R32\_RTC\_TRIG register into the R32\_RTC\_CNT\_DAY register;
- Set the value of the R32\_RTC\_TRIG register and set RB\_RTC\_LOAD\_LO, to load the value of the high 16 bits and the low 16 bits of the R32\_RTC\_TRIG register into the R16\_RTC\_CNT\_2S register and the R16\_RTC\_CNT\_32K register respectively.

### 6.4.2 Switch RTC Clock Source to LSE Crystal

- Confirm that the GPIO pins where X32KI and X32KO are located are not set as outputs, with no pull-up and pull-down resistors, and only crystals are provided;
- Configure the R8\_CK32K\_CONFIG register, set RB\_CLK\_XT32K\_PON to 1, to enable the external 32KHz crystal oscillator;
- It is recommended to set RB\_XT32K\_I\_TUNE to the maximum first, and wait for the crystal oscillator to stabilize (about several hundreds of mS) and then change to the rated current;
- Configure the R8\_CK32K\_CONFIG register, set RB\_CLK\_OSC32K\_XT to 1, and switch clock source to the crystal oscillator;
- Wait for at least half of the 32KHz clock cycle, usually 16uS, to actually finish the switch of clock source.

### 6.4.3 RTC Timing Function

- Configure R8\_RTC\_MODE\_CTRL register, set RB\_RTC\_TMR\_MODE to select the appropriate timing period, set RB\_RTC\_TMR\_EN to 1, and turn on RTC timing function;

- (2) After reaching the timing period, RTC timing activation flag `RB_RTC_TMR_FLAG` and interrupt will be generated; check `R8_RTC_FLAG_CTRL` register and set `RB_RTC_TMR_CLR` to clear the flag.

#### 6.4.4 RTC Trigger Function

- (1) Set the target matching value in `R32_RTC_TRIG` register, and see the calculation and operation steps:  
Calculate the target time value by taking the current time `R32_RTC_CNT_32K` (high 16 bits `R16_RTC_CNT_2S` and low 16 bits `R16_RTC_CNT_32K`) plus the interval time `DelayTime` (in the unit of S),  
$$T32 = R32\_RTC\_CNT\_32K + DelayTime * 32768,$$
  
Write `T32` into the `R32_RTC_TRIG` register to complete the matching value setting;
- (2) Configure `R8_RTC_MODE_CTRL`, set `RB_RTC_TRIG_EN` to 1, and turn on RTC trigger function;
- (3) When the current RTC count values `R16_RTC_CNT_2S` and `R16_RTC_CNT_32K` respectively match the preset high and low 16 bits of `R32_RTC_TRIG`, RTC trigger activation flag `RB_RTC_TRIG_FLAG` and interrupt are generated, and the flag can be cleared by setting `RB_RTC_TRIG_CLR`.

Please refer to the evaluation board example program for details.

#### 6.4.5 Calibrate Internal 32K Clock LSI with HSE

Refer to evaluation board example program.

## Chapter 7 General-purpose I/O and Alternate Functions

### 7.1 Introduction to GPIO

The chip provides 2 sets of GPIO ports PA and PB, with a total of 24 general-purpose input and output pins, 24 of which have interrupt and wake-up functions, and some of which have alternate and mapping functions.

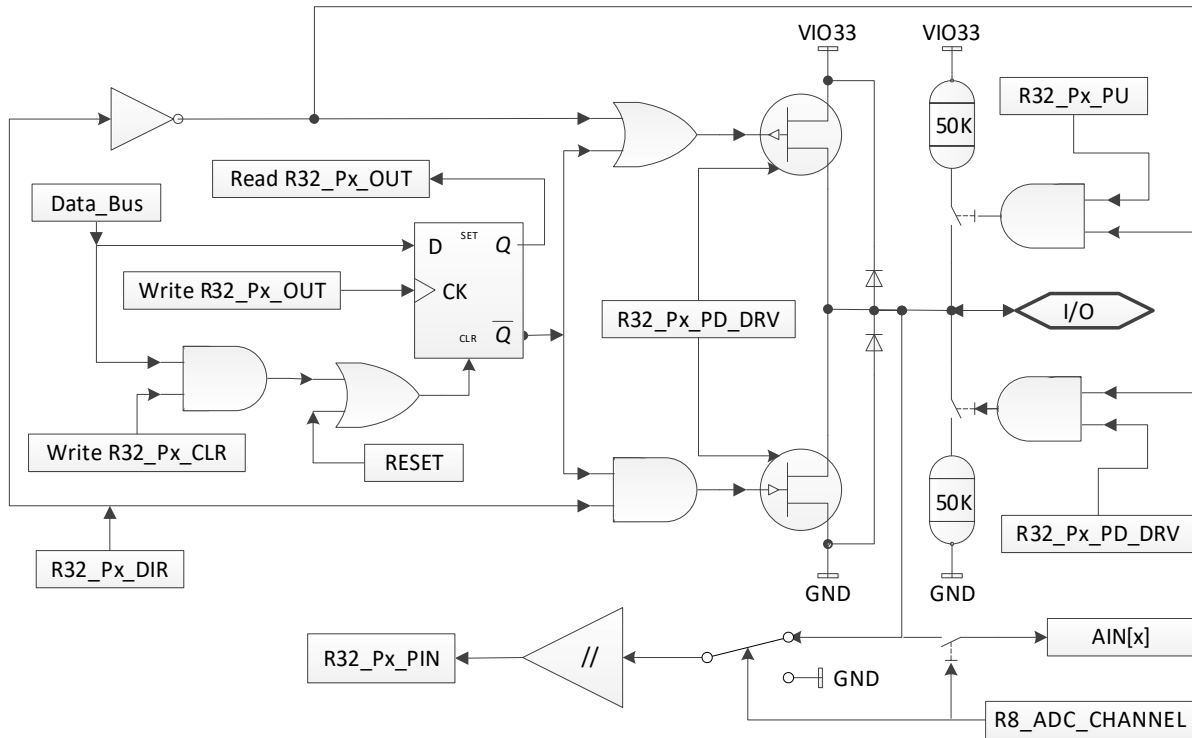
Each GPIO port has a 32-bit direction configuration register R32\_Px\_DIR, a 32-bit pin input register R32\_Px\_PIN, a 32-bit data output register R32\_Px\_OUT, a 32-bit data reset register R32\_Px\_CLR, a 32-bit pull-up resistor configuration register R32\_Px\_PU, a 32-bit pull-down resistor/drive capability configuration register R32\_Px\_PD\_DRV.

The PA[4] to PA[15] bits in the PA port are valid, corresponding to the 12 GPIO pins on the chip.

Each I/O port bit can be freely programmed, but the I/O port register must be accessed by 8-bit, 16-bit or 32-bit words. If the alternate function of pin is not enabled, it will be used as a general-purpose I/O port by default.

The following figure is the block diagram of GPIO internal architecture:

Figure 7-1 I/O internal architecture block diagram



### 7.2 External Interrupt/Wakeup

Parts of I/O pins of the chip have interrupt function and can realize sleep and wakeup.

In order to use external interrupts, the port bits must be configured in input mode. And provide 4 kinds of trigger modes: high level, low level, rising edge, falling edge.

The wake-up function needs to enable the interrupt R16\_Px\_INT\_EN of the port bit, and turn on the GPIO wake-up control bit RB\_SLP\_GPIO\_WAKE in the R8\_SLP\_WAKE\_CTRL register.

## 7.3 GPIO Alternate and Remapping

### 7.3.1 Alternate Functions

Some I/O pins have alternate functions. After power on, all I/O pins are as GPIO by default. After enabling various functional modules, the corresponding original GPIO pins are configured as corresponding functional pins of each functional module.

If a pin has multiple alternate functions, and multiple functions are enabled, please refer to the function order in the "Alternate Function" list in the pin description in section 1.2 for the priority order of alternate functions.

For example: If the PB23 pin is alternate as RST#/TMR0\_/TXD2/PWM11, RST# reset input function has a high priority, and PWM11 output function has the lowest priority. In this way, the alternate functions with the relatively higher priority of the pin whose functions with the lowest priority need not to be used can be enabled among multiple alternate functions.

The following tables list some GPIO configurations of some functional pins which are used for peripheral modules.

Table 7-1 Timer x

TMR0/1/2/3 pin	Functional configuration	GPIO configuration
TMRx	Input capture channel x	Input (floating input/pull-up input/pull-down input)
	Output PWM channel x	Push-pull output

Table 7-2 UARTx

UART0/1/2/3 pin	Functional configuration	GPIO configuration
TXDx	UART transmit x	Push-pull output
RXDx	UART receive x	Pull-up input (recommended) or floating input
RTS/DTR	MODEM signal output or RS485 control	Push-pull output
CTS/DSR/RI/DCD	MODEM signal input	Pull-up input (recommended) or floating input

Table 7-3 SPI

SPI pin	Functional configuration	GPIO configuration
SCKx	Clock output in master mode	Push-pull output
	Clock input in slave mode	Input (floating input/pull-up input/pull-down input)
MOSIx	Full-duplex mode-master mode	Push-pull output
	Full-duplex mode-slave mode	Input (floating input/pull-up input/pull-down input)
	Half-duplex mode-master mode	Not used, can be used as general purpose I/O
	Half-duplex mode-slave mode	Not used, can be used as general purpose I/O
MISOx	Full-duplex mode-master mode	Input (floating input/pull-up input/pull-down input)

	Full duplex mode-slave mode	Input (pull-up is recommended, automatically switched to push-pull output after chip select) or push-pull output (it is forbidden to be used for bus connection)
	Half duplex mode-master mode	Input or push-pull output, manual switching
	Half duplex mode-slave mode	Input (pull-up is recommended, automatically switched to push-pull output after chip select)
SCS	Chip select output in master mode	Push-pull output (can be replaced with other pins)
	Chip select input in slave mode	Pull-up input (recommended) or floating input

Table 7-4 I2C

I2C pin	Functional configuration	GPIO configuration
SCL	Serial clock output – master mode	Push-pull output (multi-master is not supported in this mode)
	Serial clock output/input – multi-master mode	Input (pull-up is recommended, automatically open-drain output when needed)
	Serial clock input – slave mode	Pull-up input (recommended) or floating input
SDA	Serial data input/output	Input (pull-up is recommended, automatically open-drain output when needed)

Table 7-5 ADC

ADC sample channel pin	Functional configuration	GPIO configuration
AINx	ADC input channel	Floating input

Table 7-6 USB

USB signal pin	Functional configuration	GPIO configuration
UD-	Connected to internal USB transceiver	Floating input
UD+	Connected to internal USB transceiver	Floating input

### 7.3.2 Remapping of Function Pins

In order to enable the peripheral functions and optimize the utilization rate at the same time, some function pins can be remapped to other pins by setting the function pin remapping register (R16\_PIN\_ALTERNATE).

Table 7-7 Alternate function remapping pins

Peripheral function pins	Default GPIO pins	Remapped GPIO pins
SCS/SCK/MOSI/MISO	PA12/PA13/PA14/PA15	PB12/PB13/PB14/PB15
RXD3/TXD3	PA4/PA5	-
RXD2/TXD2	PB22/PB23	PA6/PA7
RXD1/TXD1	PA8/PA9	PB12/PB13

RXD0/TXD0/DSR/DTR/CT S/RTS/RI/DCD	PB4/PB7/PB14/PB15/PB0/PB6/ PA6/PA7	PA15/PA14/-/-/-/PA12/PB13
TMR3/PWM3/CAP3	PB22	-
TMR2/PWM2/CAP2	PA11	PB11
TMR1/PWM1/CAP1	PA10	PB10
TMR0/PWM0/CAP0	PA9	PB23
PWM4/PWM5	PA12/PA13	PA6/PA7
PWM6/PWM7	PB0/PB4	-
PWM8/PWM9	PB6/PB7	-
PWM10/PWM11	PB14/PB23	-
SCL/SDA (I2C)	PB15/PB14	-

## 7.4 Register Description

Table 7-8 GPIO registers

Name	Access address	Description	Reset value
R32_PIN_CONFIG1	0x40001018	Pin configuration register 1	0x00000000
R16_PIN_ALTERNATE	0x40001018	Functional pin remapping register	0x0000
R16_PIN_ANALOG_IE	0x4000101A	Peripheral analog pin configuration register	0x0000
R32_PIN_CONFIG2	0x4000101C	Pin configuration register 2	0x00000000
R16_PA_INT_EN	0x40001090	PA port interrupt enable register	0x0000
R16_PB_INT_EN	0x40001092	PB port interrupt enable register	0x0000
R16_PA_INT_MODE	0x40001094	PA port interrupt mode configuration register	0x0000
R16_PB_INT_MODE	0x40001096	PB port interrupt mode configuration register	0x0000
R16_PA_INT_IF	0x4000109C	PA port interrupt flag register	0x0000
R16_PB_INT_IF	0x4000109E	PB port interrupt flag register	0x0000
R32_PA_DIR	0x400010A0	PA port direction configuration register	0x00000000
R32_PA_PIN	0x400010A4	PA port pin input register	0x0000XXXX
R32_PA_OUT	0x400010A8	PA port data output register	0x00000000
R32_PA_CLR	0x400010AC	PA port data reset register	0x00000000
R32_PA_PU	0x400010B0	PA port pull-up resistor configuration register	0x00000000
R32_PA_PD_DRV	0x400010B4	PA port pull-down/drive configuration register	0x00000000
R32_PB_DIR	0x400010C0	PB port direction configuration register	0x00000000
R32_PB_PIN	0x400010C4	PB port pin input register	0x00XXXXXX
R32_PB_OUT	0x400010C8	PB port data output register	0x00000000
R32_PB_CLR	0x400010CC	PB port data reset register	0x00000000
R32_PB_PU	0x400010D0	PB port pull-up resistor configuration register	0x00000000
R32_PB_PD_DRV	0x400010D4	PB port pull-down/drive configuration register	0x00000000

		register	
--	--	----------	--

## Functional Pin Remapping Register (R16\_PIN\_ALTERNATE)

Bit	Name	Access	Description	Reset value
15	RB_RF_ANT_SW_EN	RW	RF antenna switch control output enable: 1: Switch control output to PA[4]~PA[5], PA[12]~PA[15]; 0: Disable output.	0
14	Reserved	RO	Reserved	00b
13	RB_DEBUG_EN	RW	Debug interface disable control bit. 1: Disable the debug interface; 0: Enable the debug interface. <i>Note: This function is valid only when the debug interface is enabled in the ISP tool; for products with the fifth bit of the product lot number less than 1, this bit is reserved.</i>	0
12	RB_PIN_MODEM	RW	UART0 MODEM functional pin mapping select bit: 1: R1/DCD is mapped to PB[12]/PB[13]; 0: R1/DCD is mapped to PA[6]/PA[7].	0
11	Reserved	RO	Reserved	0
10	RB_PIN_PWMX	RW	PWMx functional pin mapping select bit: 1: PWM4/5 is mapped to PA[6]/PA[7]; 0: PWM4/5 is mapped to PA[12]/PA[13].	0
9	Reserved	RO	Reserved	0
8	RB_PIN_SPI0	RW	SPI0 functional pin mapping select bit: 1: SCK0_/SCS_/MOSI_/MISO_ is mapped to PB[13]/PB[12]/PB[14]/PB[15]; 0: SCK0/SCS/MOSI/MISO is mapped to PA[13]/PA[12]/PA[14]/PA[15].	0
7	Reserved	RO	Reserved	0
6	RB_PIN_UART2	RW	UART2 functional pin mapping select bit: 1: RXD2_/TXD2_ is mapped to PA[6]/PA[7]; 0: RXD2/TXD2 is mapped to PA[6]/PA[7].	0
5	RB_PIN_UART1	RW	UART1 functional pin mapping select bit: 1: RXD1_/TXD1_ is mapped to PB[12]/PB[13]; 0: RXD1/TXD1 is mapped to PA[8]/PA[9].	0
4	RB_PIN_UART0	RW	UART0 functional pin mapping select bit: 1: RXD0_/TXD0_ is mapped to PA[15]/PA[14]; 0: RXD0/TXD0 is mapped to PB[4]/PB[7].	0
3	Reserved	RO	Reserved	0
2	RB_PIN_TMR2	RW	TMR2 functional pin mapping select bit: 1: TMR2_/PWM2_/CAP2_ is mapped to PB[11]; 0: TMR2/PWM2/CAP2 is mapped to PA[11].	0



1	RB_PIN_TMR1	RW	TMR1 functional pin mapping select bit: 1: TMR1_/PWM1_/CAP1_ is mapped to PB[10]; 0: TMR1/PWM1/CAP1 is mapped to PA[10].	0
0	RB_PIN_TMR0	RW	TMR0 functional pin mapping select bit: 1: TMR0_/PWM0_/CAP0_ is mapped to PB[23]; 0: TMR0/PWM0/CAP0 is mapped to PA[9].	0

## Peripheral Analog Pin Configuration Register (R16\_PIN\_ANALOG\_IE)

Bit	Name	Access	Description	Reset value
[15:8]	Reserved	RO	Reserved	00h
7	RB_PIN_USB_IE	RW	USB pin enable: 1: PB10-11 are USB communication pins; 0: PB10-11 are not used for USB communication.	0
6	RB_PIN_USB_DP_PU	RW	USB UD+ pin internal pull-up resistor enable: 1: Forced to enable pull-up (RB_UC_DEV_PU_EN does not work in sleep or power-down mode, so replace it); 0: RB_UC_DEV_PU_EN controls pull-up.	0
0	Reserved	RO	Reserved	00h

*Note: If the pin is used for analog function (ADC/TouchKey), it is recommended to turn off the digital input function of the pin, namely to set the digital input as disabled, thus reducing power consumption and helping reduce interference.*

## Pin Configuration Register (R32\_PIN\_CONFIG2)

Bit	Name	Access	Description	Reset value
[31:26]	RB_PIN_PB_DIS[10:15]	RW	PB10-PB15 channel pins digital input enable: 1: Disable the digital input to save power; 0: Enable the digital input.	00h
[25:24]	RB_PIN_PB_DIS[8:9]	RW	PB22-PB23 channel pins digital input enable: 1: Disable the digital input to save power; 0: Enable the digital input.	00b
[23:22]	RB_PIN_PB_DIS[6:7]	RW	PB6-PB7 channel pins digital input enable: 1: Disable the digital input to save power; 0: Enable the digital input.	00b
21	Reserved	RO	Reserved	0
20	RB_PIN_PB_DIS[4]	RW	PB4 channel pins digital input enable: 1: Disable the digital input to save power; 0: Enable the digital input.	0
[19:17]	Reserved	RO	Reserved	000b
16	RB_PIN_PB_DIS[0]	RW	PB0 channel pins digital input enable: 1: Disable the digital input to save power; 0: Enable the digital input.	0
[15:4]	RB_PIN_PA_DIS[4:15]	RW	PA4-PA15 channel pins digital input enable: 1: Disable the digital input to save power; 0: Enable the digital input.	000h

[3:0]	Reserved	RO	Reserved	0h
-------	----------	----	----------	----

## PA Port Interrupt Enable Register (R16\_PA\_INT\_EN)

Bit	Name	Access	Description	Reset value
[15:0]	R16_PA_INT_EN	RW	PA pin interrupt enable bit: 1: Enable the corresponding interrupt; 0: Disable the corresponding interrupt.	0000h

## PB Port Interrupt Enable Register (R16\_PB\_INT\_EN)

Bit	Name	Access	Description	Reset value
[15:0]	R16_PB_INT_EN	RW	PB pin interrupt enable bit: 1: Enable the corresponding interrupt; 0: Disable the corresponding interrupt.	0000h

## PA Port Interrupt Mode Configuration Register (R16\_PA\_INT\_MODE)

Bit	Name	Access	Description	Reset value
[15:0]	R16_PA_INT_MODE	RW	PA pin interrupt mode select bit: 1: Edge trigger; 0: Level trigger.	0000h

## PB Port Interrupt Mode Configuration Register (R16\_PB\_INT\_MODE)

Bit	Name	Access	Description	Reset value
[15:0]	R16_PB_INT_MODE	RW	PB pin interrupt mode select bit: 1: Edge trigger; 0: Level trigger.	0000h

## PA Port Interrupt Flag Register (R16\_PA\_INT\_IF)

Bit	Name	Access	Description	Reset value
[15:0]	R16_PA_INT_IF	RW1	PA pin interrupt flag bit, write 1 to clear: 1: Interrupt; 0: No interrupt.	0000h

## PB Port Interrupt Flag Register (R16\_PB\_INT\_IF)

Bit	Name	Access	Description	Reset value
[15:0]	R16_PB_INT_IF	RW1	PB pin interrupt flag bit, write 1 to clear: 1: Interrupt; 0: No interrupt.	0000h

## PA Port Direction Configuration Register (R32\_PA\_DIR)

Bit	Name	Access	Description	Reset value
[31:16]	Reserved	RO	Reserved	0000h
[15:8]	R8_PA_DIR_1	RW	Current input/output direction configure of PA pin: 1: The pin is in output mode; 0: The pin is in input mode.	00h
[7:0]	R8_PA_DIR_0	RW		00h

## PA Port Pin Input Register (R32\_PA\_PIN)

Bit	Name	Access	Description	Reset value
[31:16]	Reserved	RO	Reserved	0000h
[15:8]	R8_PA_PIN_1	RO	Current level status of PA pin (valid only when R32_PA_DIR corresponding bit is 0): 1: Pin input is at high level; 0: Pin input is at low level.	XXh
[7:0]	R8_PA_PIN_0	RO		XXh

## PA Port Data Output Register (R32\_PA\_OUT)

Bit	Name	Access	Description	Reset value
[31:16]	Reserved	RO	Reserved	0000h
[15:8]	R8_PA_OUT_1	RW	When the corresponding bit of direction register R32_PA_DIR is 1: Control PA pin output level status: 1: Output high level; 0: Output low level. When the corresponding bit of direction register R32_PA_DIR is 0: Control PA pin interrupt polarity select: 1: High level/rising edge; 0: Low level/falling edge.	00h
[7:0]	R8_PA_OUT_0	RW		00h

## PA Port Data Reset Register (R32\_PA\_CLR)

Bit	Name	Access	Description	Reset value
[31:16]	Reserved	RO	Reserved	0000h
[15:8]	R8_PA_CLR_1	WZ	PA data register reset control: 1: The corresponding bit data of R32_PA_OUT is cleared to 0; 0: No effect.	00h
[7:0]	R8_PA_CLR_0	WZ		00h

## PA Port Pull-up Resistor Configuration Register (R32\_PA\_PU)

Bit	Name	Access	Description	Reset value
[31:16]	Reserved	RO	Reserved	0000h
[15:8]	R8_PA_PU_1	RW	PA pin pull-up resistor enable control: 1: Enable the pull-up resistor; 0: Disable the pull-up resistor.	00h
[7:0]	R8_PA_PU_0	RW		00h

## PA Port Pull-down/Drive Configuration Register (R32\_PA\_PD\_DRV)

Bit	Name	Access	Description	Reset value
[31:16]	Reserved	RO	Reserved	0000h
[15:8]	R8_PA_PD_DRV_1	RW	When the corresponding bit of direction register R32_PA_DIR is 0:	00h

[7:0]	R8_PA_PD_DRV_0	RW	PA pin pull-down resistor enable control: 1: Enable the pull-down resistor; 0: Disable the pull-down resistor. When the corresponding bit of direction register R32_PA_DIR is 1: PA pin current drive capability select: 1: 20mA level; 0: 5mA level.	00h
-------	----------------	----	---	-----

## PB Port Direction Configuration Register (R32\_PB\_DIR)

Bit	Name	Access	Description	Reset value
[31:24]	Reserved	RO	Reserved	00h
[23:16]	R8_PB_DIR_2	RW	Current input/output direction configure of PB pin: 1: The pin is in output mode; 0: The pin is in input mode.	00h
[15:8]	R8_PB_DIR_1	RW		00h
[7:0]	R8_PB_DIR_0	RW		00h

## PB Port Pin Input Register (R32\_PB\_PIN)

Bit	Name	Access	Description	Reset value
[31:24]	Reserved	RO	Reserved	00h
[23:16]	R8_PB_PIN_2	RO	Current level state of PB pin (only when the corresponding bit of R32_PB_DIR is 0, the bit value is valid): 1: Pin input is at high level; 0: Pin input is at low level.	XXh
[15:8]	R8_PB_PIN_1	RO		XXh
[7:0]	R8_PB_PIN_0	RO		XXh

## PB Port Data Output Register (R32\_PB\_OUT)

Bit	Name	Access	Description	Reset value
[31:24]	Reserved	RO	Reserved	00h
[23:16]	R8_PB_OUT_2	RW	When the corresponding bit of direction register R32_PB_DIR is 1: Control PB pin output level status: 1: Output high level; 0: Output low level.	00h
[15:8]	R8_PB_OUT_1	RW	When the corresponding bit of direction register R32_PB_DIR is 1: Control PB pin output level status: 1: Output high level; 0: Output low level.	00h
[7:0]	R8_PB_OUT_0	RW		When the corresponding bit of direction register R32_PB_DIR is 0: Control PB pin interrupt polarity select: 1: High level/rising edge; 0: Low level/falling edge.

## PB Port Data Reset Register (R32\_PB\_CLR)

Bit	Name	Access	Description	Reset value
[31:24]	Reserved	RO	Reserved	00h
[23:16]	R8_PB_CLR_2	WZ	PB data register reset control: 1: The corresponding bit data of R32_PB_OUT is cleared to 0; 0: No effect.	00h
[15:8]	R8_PB_CLR_1	WZ		00h
[7:0]	R8_PB_CLR_0	WZ		00h

PB Port Pull-up Resistor Configuration Register (R32\_PB\_PU)

Bit	Name	Access	Description	Reset value
[31:24]	Reserved	RO	Reserved	00h
[23:16]	R8_PB_PU_2	RW	PB pin pull-up resistor enable control: 1: Enable the pull-up resistor; 0: Disable the pull-up resistor.	00h
[15:8]	R8_PB_PU_1	RW		00h
[7:0]	R8_PB_PU_0	RW		00h

PB Port Pull-down/Drive Configuration Register (R32\_PB\_PD\_DRV)

Bit	Name	Access	Description	Reset value
[31:24]	Reserved	RO	Reserved	00h
[23:16]	R8_PB_PD_DRV_2	RW	When the corresponding bit of direction register R32_PB_DIR is 0: PB pin pull-down resistor enable control: 1: Enable the pull-down resistor; 0: Disable the pull-down resistor. When the corresponding bit of direction register R32_PB_DIR is 1: PB pin current drive capability select: 1: 20mA level; 0: 5mA level.	00h
[15:8]	R8_PB_PD_DRV_1	RW		00h
[7:0]	R8_PB_PD_DRV_0	RW		00h

## 7.5 Mode Configuration of GPIO Pins

Each GPIO can be configured to 5 modes, as shown in the table below:

Table 7-9 Port configuration

Mode	R32_Px_DIR	R32_Px_PU	R32_Px_PD_DRV
Floating input/high impedance input/analog input	0	0	0
Input with pull-up resistor	0	1	0
Input with pull-down resistor	0	0	1
Push-pull output, 5mA level drive capability:	1	X	0
Push-pull output, 20mA level drive capability:	1	X	1

## Chapter 8 General-purpose Timer (TMRx)

### 8.1 Introduction to TMRx

The chip is equipped with four 26-bit timers, TMR0, TMR1, TMR2 and TMR3, and the longest timing interval is  $2^{26}$  clock cycles. It is applicable to various occasions, including measuring the length of input signal pulse (input capture) or generating output waveform (PWM). In addition, TMR1 and TMR2 support DMA function. Each timer is completely independent and can be operated simultaneously.

#### 8.1.1 Main Features

- $4 \times 26$ -bit timers, and the longest timing interval is  $2^{26}$  clock cycles.
- Timer interrupt is supported, and among them TMR1 and TMR2 support DMA and interrupt.
- Support capture function to measure input pulse length or cycle.
- The capture function can be set to be capture of level change and hold time of high or low level.
- 26-bit PWM function is supported, which can dynamically adjust the PWM duty cycle setting.

### 8.2 Introduction to TMRx

Table 8-1 TMR0 registers

Name	Access address	Description	Reset value
R8_TMR0_CTRL_MOD	0x40002000	Mode set register	0x02
R8_TMR0_INTER_EN	0x40002002	Interrupt enable register	0x00
R8_TMR0_INT_FLAG	0x40002006	Interrupt flag register	0x00
R8_TMR0_FIFO_COUNT	0x40002007	FIFO count register	0x0X
R32_TMR0_COUNT	0x40002008	Current count value register	0x0XXXXXXXX
R32_TMR0_CNT_END	0x4000200C	Final count value set register	0x0XXXXXXXX
R32_TMR0_FIFO	0x40002010	FIFO register	0x0XXXXXXXX

Table 8-2 TMR1 registers

Name	Access address	Description	Reset value
R8_TMR1_CTRL_MOD	0x40002400	Mode set register	0x02
R8_TMR1_CTRL_DMA	0x40002401	DMA control register	0x00
R8_TMR1_INTER_EN	0x40002402	Interrupt enable register	0x00
R8_TMR1_INT_FLAG	0x40002406	Interrupt flag register	0x00
R8_TMR1_FIFO_COUNT	0x40002407	FIFO count register	0x0X
R32_TMR1_COUNT	0x40002408	Current count value register	0x0XXXXXXXX
R32_TMR1_CNT_END	0x4000240C	Final count value register	0x0XXXXXXXX
R32_TMR1_FIFO	0x40002410	FIFO register	0x0XXXXXXXX
R16_TMR1_DMA_NOW	0x40002414	Current buffer address of DMA	0x0000XXXX
R16_TMR1_DMA_BEG	0x40002418	Start buffer address of DMA	0x0000XXXX
R16_TMR1_DMA_END	0x4000241C	End buffer address of DMA	0x0000XXXX

Table 8-3 TMR2 registers

Name	Access address	Description	Reset value
R8_TMR2_CTRL_MOD	0x40002800	Mode set register	0x02
R8_TMR2_CTRL_DMA	0x40002801	DMA control register	0x00
R8_TMR2_INTER_EN	0x40002802	Interrupt enable register	0x00
R8_TMR2_INT_FLAG	0x40002806	Interrupt flag register	0x00
R8_TMR2_FIFO_COUNT	0x40002807	FIFO count register	0x0X
R32_TMR2_COUNT	0x40002808	Current count value register	0x0XXXXXXXX
R32_TMR2_CNT_END	0x4000280C	Final count value register	0x0XXXXXXXX
R32_TMR2_FIFO	0x40002810	FIFO register	0x0XXXXXXXX
R16_TMR2_DMA_NOW	0x40002814	Current buffer address of DMA	0x0000XXXX
R16_TMR2_DMA_BEG	0x40002818	Start buffer address of DMA	0x0000XXXX
R16_TMR2_DMA_END	0x4000281C	End buffer address of DMA	0x0000XXXX

Table 8-4 TMR3 registers

Name	Access address	Description	Reset value
R8_TMR3_CTRL_MOD	0x40002C00	Mode set register	0x02
R8_TMR3_INTER_EN	0x40002C02	Interrupt enable register	0x00
R8_TMR3_INT_FLAG	0x40002C06	Interrupt flag register	0x00
R8_TMR3_FIFO_COUNT	0x40002C07	FIFO count register	0x0X
R32_TMR3_COUNT	0x40002C08	Current count value register	0x0XXXXXXXX
R32_TMR3_CNT_END	0x40002C0C	Final count value set register	0x0XXXXXXXX
R32_TMR3_FIFO	0x40002C10	FIFO register	0x0XXXXXXXX

## Mode Set Register (R8\_TMRx\_CTRL\_MOD) (x=0/1/2/3)

Bit	Name	Access	Description	Reset value
[7:6]	RB_TMR_CAP_EDGE	RW	Capture trigger mode selection in capture mode: 00: Not triggered; 01: Capture the time between any edge changes; 10: Capture the time between falling edges; 11: Capture the time between rising edges. In the count mode, select the edge of count: 00: Not sample count; 01: Count when sampling to any edge; 10: Count when sampling to falling edge; 11: Count when sampling to rising edge.	00b
[7:6]	RB_TMR_PWM_REPEAT	RW	Data repetition selection in PWM mode: 00: Repeat once; 01: Repeat 4 times; 10: Repeat 8 times; 11: Repeat 16 times.	00b
5	Reserved	RO	Reserved	0
4	RB_TMR_CAP_COUNT	RW	Sub-mode of RB_TMR_MODE_IN=1 input	0

			mode: 1: Count mode; 0: Capture mode.	
4	RB_TMR_OUT_POLAR	RW	In PWM mode, output polarity set: 1: Default at high level, active low; 0: Default at low level, active high;	0
3	RB_TMR_OUT_EN	RW	Timer output enable: 1: Output enabled; 0: Output disabled.	0
2	RB_TMR_COUNT_EN	RW	Timer count enable: 1: Enable counting; 0: Disable counting.	0
1	RB_TMR_ALL_CLEAR	RW	Clear the FIFO/counter/interrupt flag of timer: 1: Force to empty and clear; 0: Not clear.	1
0	RB_TMR_MODE_IN	RW	Timer mode set: 1: Input mode (capture mode or count mode); 0: Timing mode or PWM mode.	0

Interrupt Enable Register (R8\_TMRx\_INTER\_EN) (x=0/1/2/3)

Bit	Name	Access	Description	Reset value
[7:5]	Reserved	RO	Reserved	000b
4	RB_TMR_IE_FIFO_OV	RW	FIFO overflow (FIFO is full in capture mode or FIFO is empty in PWM mode) interrupt enable: 1: Enable interrupt; 0: Disable interrupt.	0
3	RB_TMR_IE_DMA_END	RW	DMA end interrupt enable (only TMR1/2 support): 1: Enable interrupt; 0: Disable interrupt.	0
2	RB_TMR_IE_FIFO_HF	RW	FIFO used more than half (FIFO $\geq$ 4 in capture mode or FIFO $<$ 4 in PWM mode) interrupt enable: 1: Enable interrupt; 0: Disable interrupt.	0
1	RB_TMR_IE_DATA_ACT	RW	Data activation (In capture mode, it means that every time new data is captured. In PWM mode, it means that value triggers the effective level to end) interrupt enable: 1: Enable interrupt; 0: Disable interrupt.	0
0	RB_TMR_IE_CYC_END	RW	Cycle end (it refers to timeout in capture mode, and it refers to the end of cycle in PWM mode and timing mode) interrupt enable: 1: Enable interrupt; 0: Disable interrupt.	0



## Interrupt Flag Register (R8\_TMRx\_INT\_FLAG) (x=0/1/2/3)

Bit	Name	Access	Description	Reset value
[7:5]	Reserved	RO	Reserved	000b
4	RB_TMR_IF_FIFO_OV	RW1	FIFO overflow (FIFO is full in capture mode or FIFO is empty in PWM mode) flag. Write 1 to reset: 1: Has overflowed; 0: Not overflowed.	0
3	RB_TMR_IF_DMA_END	RW1	DMA end. Write 1 to reset: 1: Has completed; 0: Not completed.	0
2	RB_TMR_IF_FIFO_HF	RW1	FIFO used more than half (FIFO>=4 in capture mode or FIFO<4 in PWM mode) flag. Write 1 to reset: 1: FIFO has been used more than half; 0: FIFO has not been used more than half.	0
1	RB_TMR_IF_DATA_ACT	RW1	Data activation (it means that every time new data is captured in capture mode, and it means that value triggers the effective level to end in PWM mode) flag. Write 1 to reset: 1: Data generated/used; 0: Not generated/not used.	0
0	RB_TMR_IF_CYC_END	RW1	Cycle end (it refers to timeout in capture mode, and it refer to the end of cycle in PWM mode and timing mode) flag. Write 1 to reset: 1: Timeout/end of cycle; 0: No timeout/ not end.	0

## FIFO Count Register (R8\_TMRx\_FIFO\_COUNT) (x=0/1/2/3)

Bit	Name	Access	Description	Reset value
[7:4]	Reserved	RO	Reserved	0h
[3:0]	R8_TMRx_FIFO_COUNT	RO	Data count in FIFO, the maximum value is 8.	0Xh

## Current Count Value Register (R32\_TMRx\_COUNT) (x=0/1/2/3)

Bit	Name	Access	Description	Reset value
[31:26]	Reserved	RO	Reserved	0Xh
[25:0]	R32_TMRx_COUNT	RO	Current count value of counter.	XXXXXXXXh

## Final Count Value Set Register (R32\_TMRx\_CNT\_END) (x=0/1/2/3)

Bit	Name	Access	Description	Reset value
[31:0]	R32_TMRx_CNT_END	RW	In timer mode, the number of clocks in a	0XXXXXXXXh

			<p>timing cycle;</p> <p>In PWM mode, the total number of clocks in a PWM cycle;</p> <p>Capture the number of timeout clocks in capture mode.</p> <p>Only the lower 26 bits are valid, and the maximum value is 67108863.</p> <p>In counting mode, final count value -2 (overflow).</p> <p><i>Note: With write operation on this register, the value of R32_TMRx_COUNT will be automatically cleared to 0.</i></p>	
--	--	--	---	--

## FIFO Register (R32\_TMRx\_FIFO) (x=0/1/2/3)

Bit	Name	Access	Description	Reset value
[31:0]	R32_TMRx_FIFO	RO/WO	FIFO data register, only the lower 26 bits are valid.	0XXXXXXXXh

## DMA Control Register (R8\_TMRx\_CTRL\_DMA) (x=1/2) (only TMR1/2 support)

Bit	Name	Access	Description	Reset value
[7:3]	Reserved	RO	Reserved	00000b
2	RB_TMR_DMA_LOOP	RW	<p>DMA address loop enable bit:</p> <p>1: Enable address loop;</p> <p>0: Disable address loop.</p> <p>If the DMA address loop is enabled, when the DMA address is added to the set end address, it will automatically loop to the start address set.</p>	0
1	Reserved	RO	Reserved	0
0	RB_TMR_DMA_ENABLE	RW	<p>DMA function enable bit:</p> <p>1: DMA enabled.</p> <p>0: DMA disabled.</p>	0

## DMA Current Buffer Address (R16\_TMRx\_DMA\_NOW) (x=1/2)

Bit	Name	Access	Description	Reset value
15	Reserved	RO	Reserved	0
[14:2]	R16_TMRx_DMA_NOW	RO	<p>Current address of DMA data buffer.</p> <p>It can be used to calculate the number of conversions, and the calculation method is: <math>COUNT = (TMR\_DMA\_NOW - TMR\_DMA\_BEG) / 4</math>.</p>	XXXXh
[1:0]	Reserved	RO	Reserved	00b

DMA Start Buffer Address (R16\_TMRx\_DMA\_BEG) (x=1/2)

Bit	Name	Access	Description	Reset value
15	Reserved	RO	Reserved	0
[14:2]	R16_TMRx_DMA_BEG	RW	DMA data buffer start address, the address must be 4-byte aligned.	XXXXh
[1:0]	Reserved	RO	Reserved	00b

DMA End Buffer Address (R16\_TMRx\_DMA\_END) (x=1/2)

Bit	Name	Access	Description	Reset value
15	Reserved	RO	Reserved	0
[14:2]	R16_TMRx_DMA_END	RW	DMA data buffer end address (not included), address must be 4-byte aligned.	XXXXh
[1:0]	Reserved	RO	Reserved	00b

## 8.3 Functional Description and Configuration

### 8.3.1 Timing and Counting Functions

Each timer of the chip supports the longest time interval of  $2^{26}$  clock cycles and performs an incremental count mode. If the system clock cycle is 32MHz, the longest time interval is:  $31.25\text{nS} \cdot 2^{26} \approx 2\text{S}$ . Each timer has an independent interrupt.

The operation steps for timing function are as follows:

- (1) Set RB\_TMR\_ALL\_CLEAR, clear R32\_TMRx\_COUNT and interrupt flag, etc.
- (2) Set the R32\_TMRx\_CNT\_END register to the time value that needs timing;  $\text{Time} = \text{Tsys} \cdot \text{R32\_TMRx\_CNT\_END}$ ;
- (3) Clear RB\_TMR\_ALL\_CLEAR, clear the timing mode corresponding to RB\_TMR\_MODE\_IN;
- (4) Optional steps, set R8\_TMRx\_INTER\_EN register, set RB\_TMR\_IE\_CYC\_END to open the timing cycle interrupt;
- (5) Set the RB\_TMR\_COUNT\_EN in the R8\_TMRx\_CTRL\_MOD register, and start the timer counting;
- (6) When count value of R32\_TMRx\_COUNT is equal to that of R32\_TMRx\_CNT\_END, the timing is completed. In this case, RB\_TMR\_IF\_CYC\_END in R8\_TMRx\_INT\_FLAG is set to 1, which can be cleared by writing 1.

The operation steps for counting function are as follows:

- (1) Set the corresponding I/O pin direction of counting as input;
- (2) Set the count overflow final value in R32\_TMRx\_CNT\_END;
- (3) Configure R8\_TMRx\_CTRL\_MOD, set the corresponding count mode of RB\_TMR\_MODE\_IN and RM\_TMR\_CAP\_COUNT, clear RB\_TMR\_ALL\_CLEAR, select sample edge method by RB\_TMR\_CAP\_EDGE, set RB\_TMR\_COUNT\_EN in R8\_TMRx\_CTRL\_MOD to 1, enable counting function;
- (4) Optional, set the corresponding interrupt enable register bit if it is needed to enable interrupt;

- (5) Save current count value in R32\_TMRx\_COUNT. Every time the count value reaches final count value, RB\_TMR\_IE\_CYC\_END will be set to 1 and R32\_TMRx\_COUNT will be cleared to 0. Hardware interrupt is triggered if enabling interrupt.

### 8.3.2 PWM Function

Each timer of the chip has PWM function. The PWM functions of TMR1 and TMR2 support DMA data loading. The default output polarity of PWM can be set to high level or low level. The repeated output times of the same data can be selected as 1, 4, 8 or 16. This repeat function is combined with DMA to simulate the effect of DAC. The shortest time unit for PWM to output valid level is 1 system clock cycle, and the duty cycle of PWM can be dynamically modified to simulate special waveforms.

PWM operation steps are as follows:

- (1) Set RB\_TMR\_ALL\_CLEAR, empty and clear R32\_TMRx\_FIFO and interrupt flags, etc.
- (2) Set the PWM total cycle register R32\_TMRx\_CNT\_END, the value shall not be less than the value in R32\_TMRx\_FIFO register;
- (3) Configure R8\_TMRx\_CTRL\_MOD, clear RB\_TMR\_ALL\_CLEAR, clear PWM mode corresponding to RB\_TMR\_MODE\_IN, select the output polarity through RB\_TMR\_OUT\_POLAR, and select the repetition times of the same data through RB\_TMR\_PWM\_REPEAT as needed;
- (4) Set the data register R32\_TMRx\_FIFO, the minimum value is 0, with the corresponding duty cycle of 0%; the maximum value is the same as that of R32\_TMR\_CNT\_END, with the corresponding duty cycle of 100%; the calculation of duty cycle:  $R32\_TMRx\_FIFO/R32\_TMRx\_CNT\_END$ . TMR1 and TMR2 can load continuous dynamic data through DMA, and simulate special waveforms combined with the repeated output times of the same data;
- (5) Configure R8\_TMRx\_CTRL\_MOD, set RB\_TMR\_COUNT\_EN to start counting and RB\_TMR\_OUT\_EN to allow PWM output;
- (6) Set the I/O pin corresponding to PWM as output;
- (7) Optional. If it is needed to enable interrupts, set the corresponding interrupt enable register bit;
- (8) After a PWM cycle is completed, if an interrupt is enabled, the hardware interrupt will be triggered after RB\_TMR\_IF\_DATA\_ACT or RB\_TMR\_IF\_CYC\_END is set;
- (9) The duty cycle of PWM can be dynamically changed by updating the data in R32\_TMRx\_FIFO. It is recommended to load it through DMA.

For example: Set the RB\_TMR\_OUT\_POLAR bit to 0, R32\_TMRx\_FIFO to 6, R32\_TMRx\_CNT\_END to 18, the basic timing diagram of PWM generation is as follows, and its duty cycle is:  $R32\_TMRx\_FIFO/R32\_TMRx\_CNT\_END = 1/3$ .

Figure 8-1 PWM output timing diagram

If RB\_TMR\_PWM\_REPEAT is set to 00, it means that the above process is repeated once, 01 means repeating 4 times, 10 means that repeating 8 times, and 11 means repeating 16 times. After repeating, load the next data in FIFO and then continue.

### 8.3.3 Capture Function

Each timer of chip has a capture function, among which the capture functions of TMR1 and TMR2 support DMA data storage. 3 capture modes can be selected: start from any edge trigger and end at any edge trigger, start from rising edge trigger and end at rising edge trigger, and start from falling edge trigger and end at falling edge trigger. The following table shows the description of capture trigger mode:

Table 8-5 Description of capture trigger mode

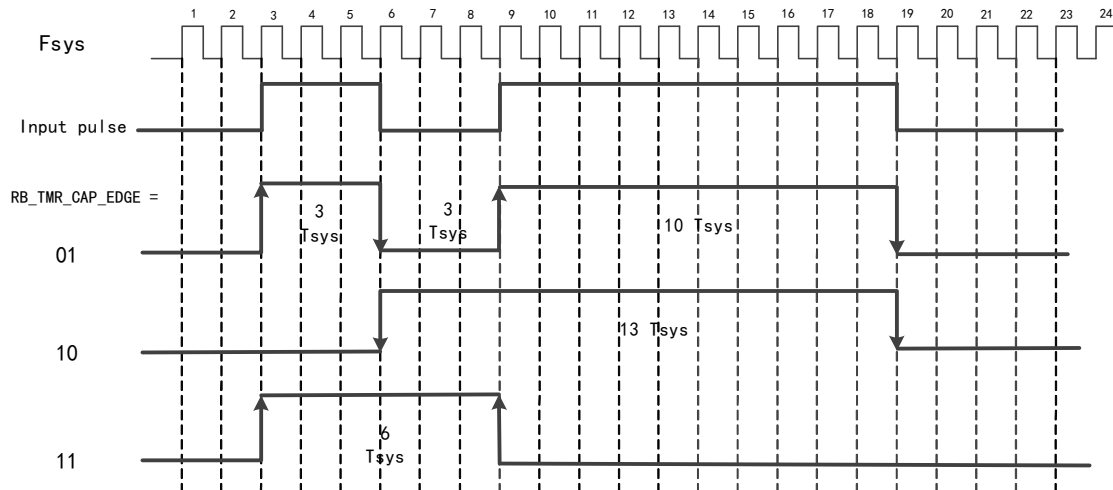
Capture mode select bit RB_TMR_CATCH_EDGE	Trigger Mode	Icon
00	Not capture	None
01	Edge trigger edge to edge	
10	Falling edge to falling edge	
11	Rising edge to rising edge	

There are 2 trigger states in edge trigger mode, which can capture high level width or low-level width. When the highest bit (bit 25) of the valid data in data register R32\_TMRx\_FIFO is 1, high level is captured; when it is 0, low level is captured. If the bit 25 of consecutive sets of data is 1 (or 0), the width of the high (or low) level exceeds the timeout value, and needs to be combined and accumulated.

In the trigger modes from falling edge to falling edge and from rising edge to rising edge, an input change cycle can be captured. When the highest bit (bit 25) of the valid data in data register R32\_TMRx\_FIFO is 0, one cycle is normally sampled; when it is 1, the input change period exceeds the timeout value R32\_TMRx\_CNT\_END, and the latter set of data needs to be added and accumulated as a single input change period.

The specific description is shown in the figure below:

Figure 8-2 Count the capture cycle with system clock



As shown in the figure above, sample once in each clock cycle:

When RB\_TMR\_CATCH\_EDGE=01b, sampling is set to the mode of edge trigger, and the time width sampled is 3, 3, 10;

When RB\_TMR\_CATCH\_EDGE=10b, sampling is set to the mode of falling edge to falling edge, and the time width sampled is 13;

When RB\_TMR\_CATCH\_EDGE=11b, sampling is set to the mode of rising edge to rising edge, and the time width sampled is 6.

Operation steps for capture mode:

- (1) Set RB\_TMR\_ALL\_CLEAR, empty and clear R32\_TMRx\_FIFO and interrupt flags, etc.
- (2) Set the direction of the I/O pin corresponding to capture as input;
- (3) Set a reasonable capture timeout time in R32\_TMRx\_CNT\_END, which can be used to generate a timeout interrupt when the input signal remains unchanged for a long time, and generate timeout data after the input signal does not change overtime (bit 25 of data is 1, and the lower 25 bits can be accumulated backward);
- (4) Configure R8\_TMRx\_CTRL\_MOD, set the capture mode corresponding to RB\_TMR\_MODE\_IN, select the edge mode of capture through RB\_TMR\_CAP\_EDGE, set RB\_TMR\_COUNT\_EN of R8\_TMRx\_CTRL\_MOD as 1, and enable counting;
- (5) Optional step: If it is needed to enable interrupts, set the corresponding interrupt enable register bit;
- (6) To save the captured data in the way of DMA, you need to set the register R16\_TMRx\_DMA\_BEG as the first address of buffer which stores the data captured, set the register R16\_TMRx\_DMA\_END as the end address of buffer which stores the data captured (not included), and set the RB\_TMR\_DMA\_ENABLE of R8\_TMRx\_CTRL\_DMA as 1, and enable DMA function;
- (7) Clear RB\_TMR\_ALL\_CLEAR of R8\_TMRx\_CTRL\_MOD, and start the capture function;
- (8) Every time data is captured, RB\_TMR\_IF\_DATA\_ACT will be set as 1; if the interrupt is enabled, a hardware interrupt will be triggered; the captured data is stored in R32\_TMRx\_FIFO by default; if DMA is enabled, the captured data will be automatically stored in the data buffer set by DMA.

## Chapter 9 Universal Asynchronous Receiver-Transmitter (UART)

### 9.1 Introduction to UART

CH592 provides 4 sets of full-duplex UARTs (UART0/1/2/3). CH591 provides 2 sets of full-duplex UARTs (UART0 and UART1). Full-duplex and half-duplex serial communication are supported. Among them, UART0 provides the transmit status pin for switching RS485, and supports MODEM signals CTS, DSR, RI, DCD, DTR and RTS.

#### 9.1.1 Main Features

- Compatible with 16C550 asynchronous serial port and enhanced.
- 5/6/7/8 data bits, 1/2 stop bits.
- Support the verification modes of odd, even, no parity, blank 0 and flag 1, etc.
- Programmable communication baud rate, up to 6Mbps.
- Built-in 8-byte FIFO buffer, support 4 FIFO trigger stages.
- UART0 supports MODEM signals CTS, DSR, RI, DCD, DTR and RTS.
- UART0 supports automatic handshake and automatic transmission rate control of hardware flow control signals CTS and RTS, compatible with TL16C550C.
- Support serial frame error detection and Break circuit interval detection.
- Full-duplex and half-duplex serial communication are supported, and UART0 provides the transmit status pin for switching RS485.

### 9.2 Register Description

Table 9-1 UART0 registers

Name	Access address	Description	Reset value
R8_UART0_MCR	0x40003000	MODEM control register	0x00
R8_UART0_IER	0x40003001	Interrupt enable register	0x00
R8_UART0_FCR	0x40003002	FIFO control register	0x00
R8_UART0_LCR	0x40003003	Line control register	0x00
R8_UART0_IIR	0x40003004	Interrupt identification register	0x01
R8_UART0_LSR	0x40003005	Line status register	0x60
R8_UART0_MSR	0x40003006	MODEM status register	0xX0
R8_UART0_RBR	0x40003008	Receive buffer register	0xXX
R8_UART0_THR	0x40003008	Transmit hold register	0xXX
R8_UART0_RFC	0x4000300A	Receive FIFO count register	0x00
R8_UART0_TFC	0x4000300B	Transmit FIFO count register	0x00
R16_UART0_DL	0x4000300C	Baud rate divisor latch	0xXX
R8_UART0_DIV	0x4000300E	Prescaler divisor register	0xXX
R8_UART0_ADR	0x4000300F	Slave address register	0xFF

Table 9-2 UART1 registers

Name	Access address	Description	Reset value
R8_UART1_MCR	0x40003400	MODEM control register	0x00
R8_UART1_IER	0x40003401	Interrupt enable register	0x00
R8_UART1_FCR	0x40003402	FIFO control register	0x00
R8_UART1_LCR	0x40003403	Line control register	0x00
R8_UART1_IIR	0x40003404	Interrupt identification register	0x01
R8_UART1_LSR	0x40003405	Line status register	0x60
R8_UART1_RBR	0x40003408	Receive buffer register	0xXX
R8_UART1_THR	0x40003408	Transmit hold register	0xXX
R8_UART1_RFC	0x4000340A	Receive FIFO count register	0x00
R8_UART1_TFC	0x4000340B	Transmit FIFO count register	0x00
R16_UART1_DL	0x4000340C	Baud rate divisor latch	0xXX
R8_UART1_DIV	0x4000340E	Prescaler divisor register	0xXX

Table 9-3 UART2 registers

Name	Access address	Description	Reset value
R8_UART2_MCR	0x40003800	MODEM control register	0x00
R8_UART2_IER	0x40003801	Interrupt enable register	0x00
R8_UART2_FCR	0x40003802	FIFO control register	0x00
R8_UART2_LCR	0x40003803	Line control register	0x00
R8_UART2_IIR	0x40003804	Interrupt identification register	0x01
R8_UART2_LSR	0x40003805	Line status register	0x60
R8_UART2_RBR	0x40003808	Receive buffer register	0xXX
R8_UART2_THR	0x40003808	Transmit hold register	0xXX
R8_UART2_RFC	0x4000380A	Receive FIFO count register	0x00
R8_UART2_TFC	0x4000380B	Transmit FIFO count register	0x00
R16_UART2_DL	0x4000380C	Baud rate divisor latch	0xXX
R8_UART2_DIV	0x4000380E	Prescaler divisor register	0xXX

Table 9-4 UART3 registers

Name	Access address	Description	Reset value
R8_UART3_MCR	0x40003C00	MODEM control register	0x00
R8_UART3_IER	0x40003C01	Interrupt enabling register	0x00
R8_UART3_FCR	0x40003C02	FIFO control register	0x00
R8_UART3_LCR	0x40003C03	Line control register	0x00
R8_UART3_IIR	0x40003C04	Interrupt identification register	0x01
R8_UART3_LSR	0x40003C05	Line status register	0x60
R8_UART3_RBR	0x40003C08	Receive buffer register	0xXX



R8_UART3_THR	0x40003C08	Transmit hold register	0xXX
R8_UART3_RFC	0x40003C0A	Receive FIFO count register	0x00
R8_UART3_TFC	0x40003C0B	Transmit FIFO count register	0x00
R16_UART3_DL	0x40003C0C	Baud rate divisor latch	0xXX
R8_UART3_DIV	0x40003C0E	Prescaler divisor register	0xXX

## MODEM Control Register (R8\_UARTx\_MCR) (x=0/1/2/3)

Bit	Name	Access	Description	Reset value
7	RB_MCR_HALF	RW	Half-duplex transceiver mode control (only supported by UART0): 1: Enter half-duplex transceiver mode, transmit with priority, and receive when not transmitting; 0: Disable half-duplex mode.	0
6	RB_MCR_TNOW	RW	Status enable that DTR pin output is being transmitted (only supported by UART0): 1: Output the indication status of being transmitted to DTR pin, used to control the RS485 receive/transmit switch. 0: DTR pin is in normal function.	0
5	RB_MCR_AU_FLOW_EN	RW	CTS and RTS hardware automatic flow control enable (only supported by UART0): 1: Enable; 0: Disable; In the flow control mode, if this bit is 1, then UART will continue to send the next data only when it detects that the CTS pin input is valid (active low). Otherwise, the UART transmission will be suspended, and the CTS input status change will not generate MODEM status interrupt when this bit is 1. If this bit is 1 and RTS is 1, UART will automatically validate the RTS pin (active low) when receiver FIFO is empty. UART will automatically invalidate the RTS pin when the number of received bytes reaches the trigger point of FIFO and will re-validate the RTS pin when the receiver FIFO is empty. Hardware automatic flow control can be used to connect your own CTS pin to the other party's RTS pin and transmit your own RTS pin to the other party's CTS pin.	0

4	RB_MCR_LOOP	RW	Test mode of internal loop enable (only supported by UART0): 1: Enable the test mode of internal loop; 0: Disable the test mode of internal loop. In the test mode of the internal loop, all external output pins of the serial port are invalid, TXD internally returns to RXD, RTS internally returns to CTS, DTR internally returns to DSR, OUT1 internally returns to RI and OUT2 internally returns to DCD.	0
3	RB_MCR_OUT2 RB_MCR_INT_OE	RW	UART interrupt request output control: 1: Enable to send request; 0: Disable.	0
2	RB_MCR_OUT1	RW	User-defined MODEM control (only supported by UART0), and no actual output pin is connected: 1: Set high; 0: Set low.	0
1	RB_MCR_RTS	RW	RTS signal output level control (only supported by UART0): 1: RTS signal output is valid (low level); 0: RTS signal output high level (default).	0
0	RB_MCR_DTR	RW	DTR signal output level control (only supported by UART0): 1: DTR signal output is valid (low level); 0: DTR signal output high level (default).	0

## Interrupt Enable Register (R8\_UARTx\_IER) (x=0/1/2/3)

Bit	Name	Access	Description	Reset value
7	RB_IER_RESET	WZ	UART software reset control bit, automatically cleared: 1: Software resets UART; 0: Normal operation.	0
6	RB_IER_TXD_EN	RW	UART TXD pin output enable bit: 1: Enable pin output; 0: Disable pin output.	0
5	RB_IER_RTS_EN	RW	RTS pin output enable bit (only supported by UART0): 1: Enable output; 0: Disable output.	0
4	RB_IER_DTR_EN	RW	DTR pin output enable bit (only supported by UART0): 1: Enable output; 0: Disable output.	0
3	RB_IER_MODEM_CHG	RW	Modem input status change interrupt enable bit (only supported by UART0): 1: Enable interrupt; 0: Disable interrupt.	0

2	RB_IER_LINE_STAT	RW	Receive line status interrupt enable bit: 1: Enable interrupt; 0: Disable interrupt.	0
1	RB_IER_THR_EMPTY	RW	Transmit hold register empty interrupt enable bit: 1: Enable interrupt; 0: Disable interrupt.	0
0	RB_IER_RECV_RDY	RW	Receive data interrupt enable bit: 1: Enable interrupt; 0: Disable interrupt.	0

FIFO Control Register (R8\_UARTx\_FCR) (x=0/1/2/3)

Bit	Name	Access	Description	Reset value
[7:6]	RB_FCR_FIFO_TRIG	RW	Trigger points select of receiving FIFO interrupt and hardware flow control: 00: 1 byte; 01: 2 bytes; 10: 4 bytes; 11: 7 bytes. Used to set the trigger points of receiving FIFO interrupt and hardware flow control. For example: 10 corresponds to 4 bytes, that is, interrupt available for receiving data is generated when 4 bytes are received, and RTS pin is automatically invalidated when hardware flow control is enabled.	00b
[5:3]	Reserved	RO	Reserved	000b
2	RB_FCR_TX_FIFO_CLR	WZ	Transmit FIFO data clear enable bit, and automatically cleared: 1: Clear the data of transmitter FIFO (excluding TSR); 0: Not clear the data of transmitter FIFO.	0
1	RB_FCR_RX_FIFO_CLR	WZ	Receive FIFO data clear enable bit, and automatically cleared: 1: Clear the data of receiver FIFO (excluding RSR); 0: Not clear the data of receiver FIFO.	0
0	RB_FCR_FIFO_EN	RW	FIFO enable bit: 1: Enable 8-byte FIFO; 0: Disable FIFO. After disabling FIFO, it is 16C450 compatible mode, which means that there is only 1 byte in FIFO (RECV_TG1=0, RECV_TG0=0, FIFO_EN=1), and it is recommended to enable.	0

Line Control Register (R8\_UARTx\_LCR) (x=0/1/2/3)

Bit	Name	Access	Description	Reset value
7	RB_LCR_DLAB RB_LCR_GP_BIT	RW	UART general purpose bit, user-defined.	0

6	RB_LCR_BREAK_EN	RW	Force to generate BREAK line interval enable: 1: Forced to generate; 0: Not generate.	0
[5:4]	RB_LCR_PAR_MOD	RW	Parity bit format selection: 00: Odd; 01: Even; 10: Mark (MARK, set to 1); 11: Space (SPACE, cleared). Valid only when RB_LCR_PAR_EN is 1.	00b
3	RB_LCR_PAR_EN	RW	Parity bit enable: 1: Allow to generate parity bit when sending and check parity bit when receiving; 0: No parity bit.	0
2	RB_LCR_STOP_BIT	RW	Stop bit format set: 0: 1 stop bit; 1: 2 stop bits.	0
[1:0]	RB_LCR_WORD_SZ	RW	UART data length selection: 00: 5 data bits; 01: 6 data bits; 10: 7 data bits; 11: 8 data bits.	00b

## Interrupt Identification Register (R8\_UARTx\_IIR) (x=0/1/2/3)

Bit	Name	Access	Description	Reset value
[7:6]	RB_IIR_FIFO_ID	RO	UART FIFO enable status: 11: FIFO has been enabled; 00: FIFO is not enabled.	00b
[5:4]	Reserved	RO	Reserved	00b
[3:0]	RB_IIR_INT_MASK	RO	Interrupt flag: If the RB_IIR_NO_INT bit is 0, an interrupt is generated, and it is needed to judge the interrupt source after reading. Please refer to Table 9-5 for details.	0000b
0	RB_IIR_NO_INT	RO	UART no interrupt flag: 1: No interrupt; 0: Interrupt.	1

The meanings of bit RB\_IIR\_NO\_INT of interrupt identification register R8\_UARTx\_IIR and each bit of RB\_IIR\_INT\_MASK is shown in the following table:

Table 9-5 Meaning of RB\_IIR\_INT\_MASK in IIR register

IIR register bit				Priority	Interrupt type	Interrupt source	Means of clearing interrupts
IID3	IID2	IID1	NOINT				
0	0	0	1	None	No interrupt	No interrupt	-

1	1	1	0	0	Bus address matching	The received one data is the UART bus address, and the address matches the preset slave value or the broadcast address. (Only supported by UART0)	Read IIR or disable multi-device mode
0	1	1	0	1	Receive line status	OVER_ERR/PAR_ERR/FRAM_ERR/BREAK_ERR	Read LSR
0	1	0	0	2	Receive data available	The number of bytes received reaches the trigger point of FIFO.	Read RBR
1	1	0	0	2	Receive data timeout	The next data is not received for more than 4 data periods.	Read RBR
0	0	1	0	3	THR register empty	Transmit hold register is empty, or RB_IER_THR_EMPTY bit is changed from 0 to 1 and triggered.	Read IIR or write THR
0	0	0	0	4	MODEM input change	Triggered by setting $\triangle$ CTS, $\triangle$ DSR, $\triangle$ RI and $\triangle$ DCD to 1.	Read MSR

## Line Status Register (R8\_UARTx\_LSR) (x=0/1/2/3)

Bit	Name	Access	Description	Reset value
7	RB_LSR_ERR_RX_FIFO	RO	Receive FIFO error flag: 1: At least one PAR_ERR or FRAM_ERR or BREAK_ERR error in the receiver FIFO; 0: No error in receiver FIFO.	0
6	RB_LSR_TX_ALL_EMP	RO	THR and TSR empty flag. 1: Both are empty; 0: Both are not empty.	1
5	RB_LSR_TX_FIFO_EMP	RO	Transmit FIFO empty flag: 1: Transmit FIFO is empty; 0: Transmit FIFO is not empty.	1
4	RB_LSR_BREAK_ERR	RZ	BREAK line interval detection flag: 1: BREAK is detected; 0: BREAK is not detected.	0
3	RB_LSR_FRAME_ERR	RZ	Data frame error flag: 1: Frame error in the data being read from the receiver FIFO, and a valid stop bit is missing. 0: No error in the currently read data frame.	0
2	RB_LSR_PAR_ERR	RZ	Receive data Parity error flag: 1: Parity error in the data being read from the receiver FIFO. 0: The currently read data parity is correct.	0
1	RB_LSR_OVER_ERR	RZ	Receiver FIFO buffer overflow flag: 1: Has overflowed; 0: Not overflowed.	0
0	RB_LSR_DATA_RDY	RO	Receiver FIFO receive data flag: 1: Data in FIFO; 0: No data. After reading all the data in the FIFO, this bit will	0

			be automatically cleared.	
--	--	--	---------------------------	--

#### MODEM Status Register (R8\_UART0\_MSR) (only supported by UART0)

Bit	Name	Access	Description	Reset value
7	RB_MSR_DCD	RO	DCD pin status: 1: DCD is active (low level); 0: DCD is inactive (high level).	0
6	RB_MSR_RI	RO	RI pin status: 1: RI is active (low level); 0: RI is inactive (high level).	0
5	RB_MSR_DSR	RO	DSR pin status: 1: DSR pin is active (low level); 0: DSR pin is inactive (high level).	X
4	RB_MSR_CTS	RO	CTS pin status: 1: CTS pin is active (low level); 0: CTS pin is inactive (high level).	X
3	RB_MSR_DCD_CHG	RZ	DCD input status change flag: 1: Has changed; 0: No change.	0
2	RB_MSR_RI_CHG	RZ	RI input status change flag: 1: Has changed; 0: No change.	0
1	RB_MSR_DSR_CHG	RZ	DSR pin input status change flag: 1: Has changed; 0: No change.	0
0	RB_MSR_CTS_CHG	RZ	CTS pin input status change flag: 1: Has changed; 0: No change.	0

#### Receive Buffer Register (R8\_UARTx\_RBR) (x=0/1/2/3)

Bit	Name	Access	Description	Reset value
[7:0]	R8_UARTx_RBR	RO	Data receive buffer register. If the DATA_RDY bit of LSR is 1, the received data can be read from this register; If FIFO_EN is 1, the data received from UART shift register RSR will be firstly stored in the receiver FIFO, and then read out through the register.	XXh

#### Transmit Hold Register (R8\_UARTx\_THR) (x=0/1/2/3)

Bit	Name	Access	Description	Reset value
[7:0]	R8_UARTx_THR	WO	Transmit hold register. Transmitter FIFO is included, used to write the data to be transmitted; if FIFO_EN is 1, the written data will be firstly stored in the transmitter FIFO, and then output one by one through the transmit shift register TSR.	XXh

## Receive FIFO Count Register (R8\_UARTx\_RFC) (x=0/1/2/3)

Bit	Name	Access	Description	Reset value
[7:0]	R8_UARTx_RFC	RO	Data count in the current receiver FIFO.	00h

## Transmit FIFO Count Register (R8\_UARTx\_TFC) (x=0/1/2/3)

Bit	Name	Access	Description	Reset value
[7:0]	R8_UARTx_TFC	RO	Data count in the current transmitter FIFO.	00h

## Baud Rate Divisor Latch (R16\_UARTx\_DL) (x=0/1/2/3)

Bit	Name	Access	Description	Reset value
[15:0]	R16_UARTx_DL	RW	The 16-bit divisor is used to calculate the baud rate. Formula: Divisor = the serial internal reference clock $F_{uart} / 16 /$ the required communication baud rate. For example: If the serial internal reference clock $F_{uart}$ is 1.8432MHz and the required baud rate is 9600bps, then the divisor = $1843200/16/9600=12$ .	XXXXh

## Prescaler Divisor Register (R8\_UARTx\_DIV) (x=0/1/2/3)

Bit	Name	Access	Description	Reset value
[7:0]	R8_UARTx_DIV	RW	It is used to calculate the internal reference clock of UART, the lower 7 bits are valid. Formula: Divisor = $F_{sys} * 2 /$ internal reference clock of UART, the maximum value is 127.	XXh

## Slave Address Register (R8\_UART0\_ADR) (only supported by UART0)

Bit	Name	Access	Description	Reset value
[7:0]	R8_UART0_ADR	RW	Slave address of UART0 during multi-device communication: FFh: Not used; Others: Slave address.	0FFh

R8\_UART0\_ADR presets the address when this device acts as a slave, it is used to automatically compare the received addresses during multi-device communication, and generate an interrupt when the address matches or when the broadcast address 0FFH is received. Meanwhile, it is allowed to receive subsequent data packets. Data is not received until the address matches. After it starts sending data or rewriting the R8\_UART0\_ADR register, stop receiving any data, until the address matches again next time or the broadcast address is received.

When R8\_UART0\_ADR is 0FFH or RB\_LCR\_PAR\_EN=0, the automatic comparison function of bus address is disabled.

When R8\_UART0\_ADR is not 0FFH and RB\_LCR\_PAR\_EN=1, the automatic comparison function of bus address is enabled, and the following parameters should be configured: RB\_LCR\_WORD\_SZ is 11b to select method of 8

data bits. For the case when the address byte is MARK (that is, the bit 9 of data byte is 0), RB\_LCR\_PAR\_MOD should be set to 10b. For the case when the address byte is SPACE (that is, the bit 9 of data byte is 1), RB\_LCR\_PAR\_MOD should be set to 11b.

## 9.3 Functional Description and Configuration

UART0/1/2/3 output pins are all at 3.3V LVCMOS level. The pins in asynchronous serial port mode include: data transmission pins and MODEM contact signal pins (only supported by UART0). Data transmission pins include: TXD pin and RXD pin, both of which are at high level by default. MODEM contact signal pins include: CTS pin, DSR pin, RI pin, DCD pin, DTR pin, RTS pin, all of which are at high level by default.

All these MODEM contact signals can be used as general-purpose I/O pins, and the application program controls them and define their purposes.

4 sets of UARTs have built-in independent transceiver buffers and 8-byte FIFOs, support simplex, half-duplex or full-duplex UART communication. Serial data includes 1 low-level start bit, 5/6/7/8 data bits, 0/1 additional check bit or flag bit, 1/2 high-level stop bits, and supports odd/even/mark/blank checking. The baud rate error of the serial port transmitting signal is less than 0.5%, and the allowable baud rate error of the serial port receiving signal is not more than 2%.

### 9.3.1 Baud Rate Calculation

- 1) Calculate the internal reference clock  $F_{uart}$  of serial port, set the R8\_UARTx\_DIV register, the maximum value is 127, and usually 1 is written.
- 2) Calculate the baud rate and set R16\_UARTx\_DL register.  

$$\text{Baud rate} = F_{sys} * 2 / R8\_UARTx\_DIV / 16 / R16\_UARTx\_DL$$

### 9.3.2 UART Transmission

"THR register empty" interrupt UART\_II\_THR\_EMPTY sent by UART means that the current transmitter FIFO is empty. The interrupt is cleared when the IIR register is read, or cleared when the next data is written to THR. If only one byte is written to THR, it will soon generate again a request to send THR register empty interrupt as the byte is quickly transferred to the transmitter shift register (TSR) to start transmitting. At this point, the next data ready to be transmitted can be written. After all the data in TSR register is removed, UART transmission is completed. At this time, RB\_LSR\_TX\_ALL\_EMP bit of LSR register becomes active at 1.

In interrupt trigger mode, when THR empty interrupt from UART is received, if FIFO is enabled, up to 8 bytes can be written to THR and FIFO at a time, and then will be transmitted automatically by the controller in sequence; if FIFO is disabled, only one byte can be written at a time. If no data needs to be transmitted, exit directly (the interrupts have been automatically cleared when IIR is read before).

In the query mode, whether the transmitter FIFO is empty can be judged according to RB\_LSR\_TX\_FIFO\_EMP bit of LSR. When this bit is 1, the data can be written to THR and FIFO. If FIFO is enabled, up to 8 bytes can be written at a time.

R8\_UARTx\_TFC register can also be read to determine the number of remaining data to be sent in the current FIFO. If it is not equal to 8, continue to write the data to be sent into the FIFO, and that can save filling time.

### 9.3.3 UART Reception

UART receive data available interrupt UART\_II\_RECV\_RDY means that the number of existing data bytes in the receiver FIFO has reached or exceeded the FIFO trigger points set and selected by RB\_FCR\_FIFO\_TRIG of FCR.



The interrupt is cleared when the data is read from RBR to cause the number of bytes in the FIFO less than that of the FIFO trigger points.

UART receive data timeout interrupt `UART_I2_RECV_TOUT` means that there is at least 1-byte data in the receiver FIFO, and the waiting time is equivalent to the time of receiving 4 data starting from the last time when UART receives data and the last time when the system takes the data. The interrupt is cleared when a new data is received again or after the MCU reads RBR once. When receiver FIFO is empty, `RB_LSR_DATA_RDY` bit of LSR is 0; when there is data in the receiver FIFO, it is valid when `RB_LSR_DATA_RDY` bit is 1.

In the interrupt trigger mode, `R8_UARTx_RFC` register can be read to query the remaining data count in the current FIFO after receiving UART receive data timeout interrupt, and read all the data directly, or continuously query the `RB_LSR_DATA_RDY` of LSR. If this bit is valid, read the data until this bit becomes invalid. After receiving UART receive data available interrupt, read the data for the number of bytes set by `RB_FCR_FIFO_TRIG` from RBR at one time, or read all the data in the current FIFO according to the `RB_LSR_DATA_RDY` bit and the `R8_UARTx_RFC` register.

In query mode, whether the receiver FIFO is empty can be judged according to the `RB_LSR_DATA_RDY` bit of LSR, or read the `R8_UARTx_RFC` register to get the data count in the current FIFO and get all the data received by UART.

### 9.3.4 Hardware Flow Control

Hardware flow control includes automatic CTS (`RB_MCR_AU_FLOW_EN` is set to 1) and automatic RTS (`RB_MCR_AU_FLOW_EN` and `RB_MCR_RTS` are both set to 1).

If automatic CTS is enabled, CTS pin must be active before UART sends data. The serial port transmitter detects CTS pin before sending the next data. When the CTS pin is active, the transmitter sends the next data. In order to ensure that the transmitter stops sending the later data, CTS pin must be disabled before the middle time of the last stop bit currently being sent. The automatic CTS function reduces the interrupt applied to the system. When hardware flow control is enabled, a change in CTS pin level does not trigger a MODEM interrupt as the controller automatically controls the transmitter based on CTS pin status. If automatic RTS is enabled, RTS pin output will be valid only when there is enough space in FIFO to receive data, and RTS pin output is invalid when the receiver FIFO is full. RTS pin output will be valid if all the data in the receiver FIFO is taken or cleared. When the trigger point of the receiver FIFO is reached (the number of existing bytes in the receiver FIFO is not less than the number of bytes set by `RB_FCR_FIFO_TRIG` of FCR), RTS pin output is invalid, and the other transmitter is allowed to send another data after RTS pin is inactive. Once the data in the receiver FIFO is emptied, RTS pin will be automatically re-enabled, so that the other transmitter resumes transmission. If both automatic CTS and automatic RTS are enabled (both `RB_MCR_AU_FLOW_EN` and `RB_MCR_RTS` of MCR register are 1), when its own RTS pin is connected to the other CTS pin, the other side will not send data unless there is enough space in the receiver FIFO of the other side. Therefore, with hardware flow control, FIFO overflow and timeout errors during serial port reception can be avoided.

## Chapter 10 Serial Peripheral Interface (SPI)

### 10.1 Introduction to SPI

SPI is a full-duplex serial interface with a host and several slaves connected to the bus, and only a pair of host and slave is communicating at the same time. Usually, SPI interface consists of 4 pins: SPI chip selected pin SCS, SPI clock pin (SCK), SPI serial data pin MISO (master input/slave output pin) and SPI serial data pin MOSI (master output/slave input pin).

#### 10.1.1 Main Features

The CH592 and CH591 chips provide one SPI interface with the following characteristics:

- Support both master mode and slave mode.
- Compatible with Serial Peripheral Interface (SPI) specification.
- Data transfer modes: mode0 and mode3.
- 8-bit data transmission mode, optional data bit sequence: low bits of a byte are in front or high bits are in front.
- Clock frequency can be up to half of the system clock frequency (Fsys).
- 8-byte FIFO.
- Slave mode supports the first byte as command mode or data stream mode.
- Support DMA, so the data transmission efficiency is higher.

### 10.2 Register Description

Table 10-1 SPI0 registers

Name	Access address	Description	Reset value
R8_SPI0_CTRL_MOD	0x40004000	SPI0 mode control register	0x02
R8_SPI0_CTRL_CFG	0x40004001	SPI0 configuration register	0x00
R8_SPI0_INTER_EN	0x40004002	SPI0 interrupt enable register	0x00
R8_SPI0_CLOCK_DIV R8_SPI0_SLAVE_PRE	0x40004003	SPI0 clock divider register in master mode SPI0 preset data register in slave mode	0x10
R8_SPI0_BUFFER	0x40004004	SPI0 data buffer	0xXX
R8_SPI0_RUN_FLAG	0x40004005	SPI0 working status register	0x00
R8_SPI0_INT_FLAG	0x40004006	SPI0 interrupt flag register	0x40
R8_SPI0_FIFO_COUNT	0x40004007	SPI0 transceiver FIFO count register	0x00
R16_SPI0_TOTAL_CNT	0x4000400C	SPI0 data receive/transmit data total length register	0x0000
R8_SPI0_FIFO	0x40004010	SPI0 data FIFO register	0xXX
R8_SPI0_FIFO_COUNT1	0x40004013	SPI0 transceiver FIFO count register	0x00
R16_SPI0_DMA_NOW	0x40004014	Current address of SPI0 DMA buffer	0XXXXX
R16_SPI0_DMA_BEG	0x40004018	Start address of SPI0 DMA buffer	0XXXXX

R16_SPI0_DMA_END	0x4000401C	End address of SPI0 DMA buffer	0xFFFF
------------------	------------	--------------------------------	--------

Table 10-2 SPI1 registers

Name	Access address	Description	Reset value
R8_SPI1_CTRL_MOD	0x40004400	SPI1 mode control register	0x02
R8_SPI1_CTRL_CFG	0x40004401	SPI1 configuration register	0x00
R8_SPI1_INTER_EN	0x40004402	SPI1 interrupt enable register	0x00
R8_SPI1_CLOCK_DIV	0x40004403	SPI1 clock frequency division register in master mode	0x10
R8_SPI1_BUFFER	0x40004404	SPI1 data buffer	0xFF
R8_SPI1_RUN_FLAG	0x40004405	SPI1 working status register	0x00
R8_SPI1_INT_FLAG	0x40004406	SPI1 interrupt flag register	0x40
R8_SPI1_FIFO_COUNT	0x40004407	SPI1 transceiver FIFO count register	0x00
R16_SPI1_TOTAL_CNT	0x4000440C	SPI1 receive/transmit data total length register	0x00
R8_SPI1_FIFO	0x40004410	SPI1 data FIFO register	0xFF
R8_SPI1_FIFO_COUNT1	0x40004413	SPI1 transceiver FIFO count register	0x00

## SPI Mode Control Register (R8\_SPIx\_CTRL\_MOD) (x=0/1)

Bit	Name	Access	Description	Reset value
7	RB_SPI_MISO_OE	RW	MISO pin output enable (can be used at data line switching direction in 2-wire mode): 1: MISO output enabled; 0: MISO output disabled.	0
6	RB_SPI_MOSI_OE	RW	MOSI pin output enable: 1: MOSI output enabled; 0: MOSI output disabled.	0
5	RB_SPI_SCK_OE	RW	SCK pin output enable: 1: SCK output enabled; 0: SCK output disabled.	0
4	RB_SPI_FIFO_DIR	RW	FIFO direction: 1: Input (receive data); 0: Output (transmit data).	0
3	RB_SPI_SLV_CMD_MOD	RW	First byte mode selection in SPI0 slave mode (only supported by SPI0): 1: First byte command mode; 0: Data stream mode. In the first byte command mode, it will be regarded as a command code when receiving the	0

			first byte of data after the SPI chip select is valid and RB_SPI_IF_FST_BYTE will be set to 1.	
3	RB_SPI_MST_SCK_MOD	RW	Clock idle mode selection in master mode: 1: Mode3 (SCK is at high level when idle); 0: Mode0 (SCK is at low level when idle).	0
2	RB_SPI_2WIRE_MOD	RW	2-wire or 3-wire SPI mode selection in slave mode: 1: 2-wire mode/half duplex (SCK/MISO); 0: 3-wire mode/full duplex (SCK/MOSI/MISO).	0
1	RB_SPI_ALL_CLEAR	RW	SPI FIFO/counter/interrupt flag clear: 1: Force to empty and clear; 0: Not clear.	1
0	RB_SPI_MODE_SLAVE	RW	SPI0 master/slave mode selection (only supported by SPI0): 1: Slave mode; 0: Master mode.	0

## SPI Configuration Register (R8\_SPIx\_CTRL\_CFG)

Bit	Name	Access	Description	Reset value
7	Reserved	RO	Reserved	0
6	RB_SPI_MST_DLY_EN	RW	Input delay enable in master mode: 1: Enable, used for high-speed applications such as SPI clock close to half of Fsys; 0: Disable, regular applications.	0
5	RB_SPI_BIT_ORDER	RW	SPI data bit order selection: 1: LSB first, 0: MSB first.	0
4	RB_SPI_AUTO_IF	RW	Enable the function of automatically clearing flag bit RB_SPI_IF_BYTE_END when accessing BUFFER/FIFO: 1: Enable; 0: Disable.	0
3	Reserved	RO	Reserved	0
2	RB_SPI_DMA_LOOP	RW	DMA address loop enable(only supported by SPI0): 1: Enable address loop; 0: Disable address loop. If the DMA address loop is enabled, when the DMA address is added to the set end address, the auto loop points to the set first address.	0
1	Reserved	RO	Reserved	0
0	RB_SPI_DMA_ENABLE	RW	DMA enable (only supported by SPI0): 1: Enable; 0: Disable.	0

## SPI Interrupt Enable Register (R8\_SPIx\_INTER\_EN)

Bit	Name	Access	Description	Reset value
7	RB_SPI_IE_FST_BYTE	RW	In the first byte command mode of slave mode, first byte interrupt receive enable (only supported by SPI0): 1: Enable receiving the first byte interrupt; 0: Disable receiving the first byte interrupt.	0
[6: 5]	Reserved	RO	Reserved	00b
4	RB_SPI_IE_FIFO_OV	RW	FIFO overflow (FIFO is full when receiving, or FIFO is empty when sending) interrupt enable (only supported by SPI0): 1: Interrupt enabled; 0: Interrupt disabled.	0
3	RB_SPI_IE_DMA_END	RW	DMA end interrupt enable (only supported by SPI0): 1: Interrupt enabled; 0: Interrupt disabled.	0
2	RB_SPI_IE_FIFO_HF	RW	More than half of FIFO used interrupt enable: 1: Interrupt enabled; 0: Interrupt disabled.	0
1	RB_SPI_IE_BYTE_END	RW	SPI single byte transmission completion interrupt enable: 1: Interrupt enabled; 0: Interrupt disabled.	0
0	RB_SPI_IE_CNT_END	RW	SPI all byte transmission completion interrupt enable: 1: Interrupt enabled; 0: Interrupt disabled.	0

## SPI Clock Divider Register in Master Mode (R8\_SPIx\_CLOCK\_DIV)

Bit	Name	Access	Description	Reset value
[7: 0]	R8_SPI_CLOCK_DIV	RW	Frequency division factor in master mode, the minimum value is 2. $F_{sck} = F_{sys} / \text{frequency division factor}$ .	10h

## SPI Preset Data Register in Slave Mode (R8\_SPI0\_SLAVE\_PRE) (only supported by SPI0)

Bit	Name	Access	Description	Reset value
[7: 0]	R8_SPI0_SLAVE_PRE	RW	Preset data first returned in slave mode. Used to receive the returned data after first byte of data.	10h

## SPI Data Buffer (R8\_SPIx\_BUFFER)

Bit	Name	Access	Description	Reset value
[7: 0]	R8_SPIx_BUFFER	RW	SPI data transmit and receive buffer.	XXh

## SPI Working Status Register (R8\_SPIx\_RUN\_FLAG)

Bit	Name	Access	Description	Reset value
7	RB_SPI_SLV_SELECT	RO	Chip select status in slave mode (only supported by SPI0): 1: Being selected; 0: No chip selected.	0
6	RB_SPI_SLV_CS_LOAD	RO	First loading status after chip select in slave mode (only supported by SPI0): 1: Being loading R8_SPI0_SLAVE_PRE; 0: Not yet loaded or has completed.	0
5	RB_SPI_FIFO_READY	RO	FIFO ready: 1: FIFO is ready (R16_SPIx_TOTAL_CNT is not 0, and the FIFO is not full when receiving or the FIFO is not empty when transmitting); 0: FIFO is not ready.	0
4	RB_SPI_SLV_CMD_ACT	RO	Command received completion status in slave mode, that is, completing the exchange of first byte data (only supported by SPI0): 1: That has just been exchanged is the first byte; 0: The first byte has not been exchanged or it is not the first byte.	0
[3:0]	Reserved	RO	Reserved	0000b

## SPI Interrupt Flag Register (R8\_SPIx\_INT\_FLAG)

Bit	Name	Access	Description	Reset value
7	RB_SPI_IF_FST_BYTE	RW1	First byte received flag in slave mode (only supported by SPI0): 1: The first byte has been received; 0: The first byte is not received.	0
6	RB_SPI_FREE	RO	Current SPI free: 1: Free; 0: Not free.	1
5	Reserved	RO	Reserved	0
4	RB_SPI_IF_FIFO_OV	RW1	FIFO overflow (FIFO is full when receiving or FIFO is empty when transmitting) flag. Write 1 to reset: 1: Overflow; 0: Not overflow.	0

3	RB_SPI_IF_DMA_END	RW1	DMA end flag (only supported by SPI0). Write 1 to reset: 1: End; 0: Not end.	X
2	RB_SPI_IF_FIFO_HF	RW1	More than half of FIFO used (FIFO>=4 when receiving or FIFO<4 when transmitting) flag. Write 1 to reset: 1: More than half of FIFO has been used; 0: FIFO has been used not more than half.	0
1	RB_SPI_IF_BYTE_END	RW1	SPI single byte transfer end flag. Write 1 to reset: 1: End; 0: Not end.	0
0	RB_SPI_IF_CNT_END	RW1	SPI all byte transfer end flag. Write 1 to reset: 1: All byte transfer ends; 0: All byte transfer not end.	1

#### SPI Transceiver FIFO Count Register (R8\_SPIx\_FIFO\_COUNT)

Bit	Name	Access	Description	Reset value
[7:4]	Reserved	RO	Reserved	0h
[3:0]	R8_SPIx_FIFO_COUNT	RW	Current byte count in FIFO.	0h

#### SPI Transceiver Data Total Length Register (R16\_SPIx\_TOTAL\_CNT)

Bit	Name	Access	Description	Reset value
[15:0]	R16_SPIx_TOTAL_CNT	RW	Total number of bytes of SPI data transceiver in master mode, and the lower 12 bits are valid. At most 4095 bytes can be received/transmitted at a time when using DMA. It is not supported in slave mode.	0000h

#### SPI Data FIFO Register (R8\_SPIx\_FIFO)

Bit	Name	Access	Description	Reset value
[7:0]	R8_SPIx_FIFO	RO/ WO	Data FIFO register.	XXh

The registers R8\_SPIx\_BUFFER and R8\_SPIx\_FIFO are both SPI data related registers, and the main differences between them are:

Reading R8\_SPIx\_BUFFER means to obtain the data from the last exchange of SPI, and it does not affect FIFO and R8\_SPIx\_FIFO\_COUNT;

Writing to R8\_SPIx\_BUFFER in master mode means to send the byte directly, and the write operation in slave mode is not defined;

Reading R8\_SPIx\_FIFO means to obtain the data from the earliest exchange in FIFO, which will reduce FIFO and R8\_SPIx\_FIFO\_COUNT;

Writing to R8\_SPI0\_FIFO means to temporarily store the data in FIFO. In slave mode, the external SPI host decides when to take it. In master mode, the transmission is automatically started when R16\_SPIx\_TOTAL\_CNT is not 0.

#### SPI Transceiver FIFO Count Register (R8\_SPIx\_FIFO\_COUNT1) (x=0/1)

Bit	Name	Access	Description	Reset value
[7:4]	Reserved	RO	Reserved	0h
[3:0]	R8_SPI0_FIFO_COUNT1	RW	Current byte count in FIFO. The same as R8_SPIx_FIFO_COUNT.	0h

#### Current Address of SPI0 DMA Buffer (R16\_SPI0\_DMA\_NOW)

Bit	Name	Access	Description	Reset value
[15:0]	R16_SPI0_DMA_NOW	RW	Current address of DMA data buffer. It can be used to calculate the number of conversions. COUNT=SPI0_DMA_NOW-SPI0_DMA_BEG.	XXXXh

#### Start Address of SPI0 DMA Buffer (R16\_SPI0\_DMA\_BEG)

Bit	Name	Access	Description	Reset value
[15:0]	R16_SPI0_DMA_BEG	RW	Start address of DMA data buffer, only the lower 15 bits are valid.	XXXXh

#### End Address of SPI0 DMA Buffer (R16\_SPI0\_DMA\_END)

Bit	Name	Access	Description	Reset value
[15:0]	R16_SPI0_DMA_END	RW	End address of DMA data buffer (not included), only the lower 15 bits are valid.	XXXXh

## 10.3 SPI Transfer Frame Formats

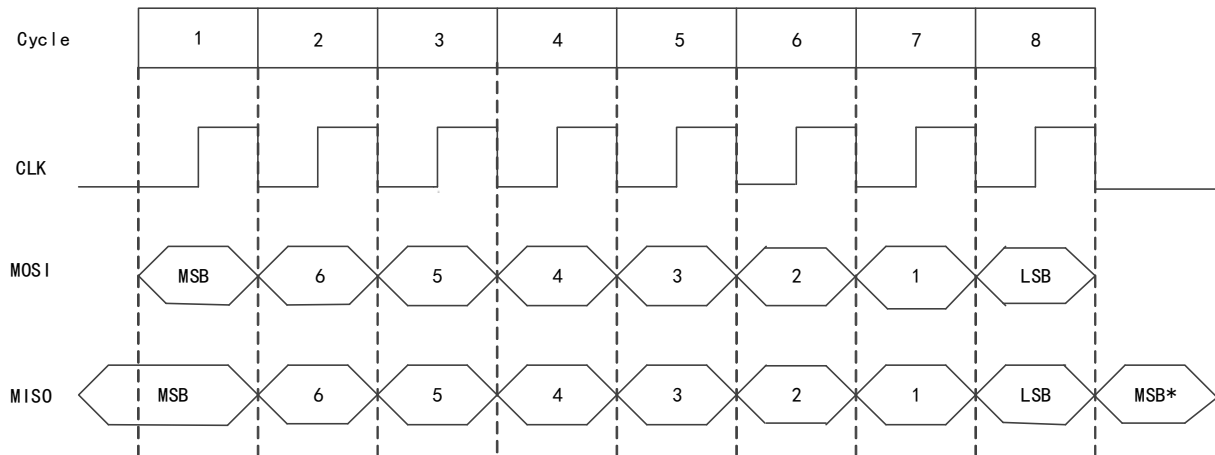
SPI supports 2 transfer frame formats, mode0 and mode3, which can be selected by setting RB\_SPI\_MST\_SCK\_MOD in R8\_SPIx\_CTRL\_MOD. Always sample and input serial data at rising edge of SCK, and output serial data at falling edge.

The data transmission formats are shown in the figures below:

Mode0: RB\_SPI\_MST\_SCK\_MOD = 0

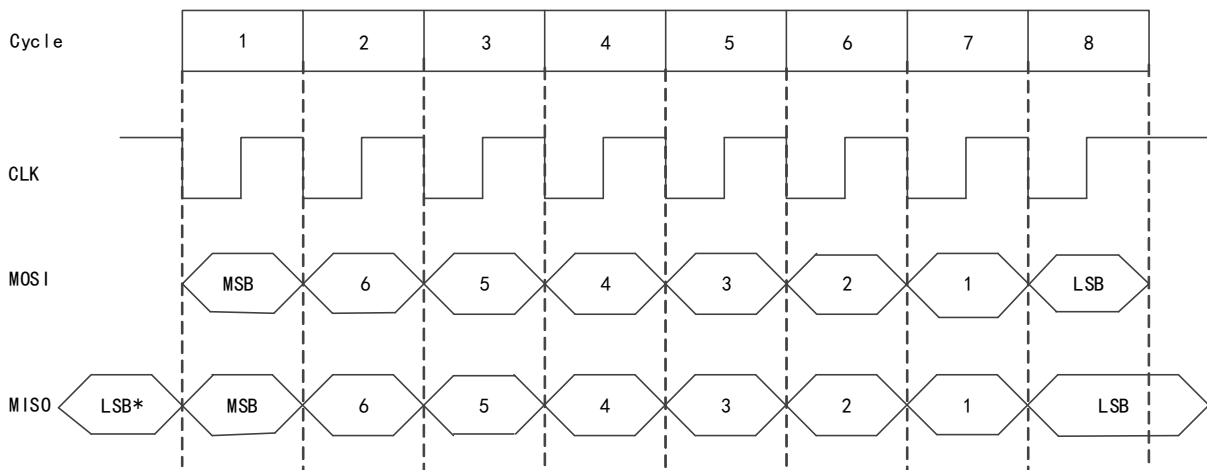


Figure 10-1 Transfer format of SPI mode0



Mode3: RB\_SPI\_MST\_SCK\_MOD = 1

Figure 10-2 Transfer format of SPI mode3



## 10.4 SPI Configuration

### 10.4.1 Master Mode

In SPI master mode, serial clock is generated on SCK pin, and chip select pin can be specified as any I/O pin.

Configuration procedure:

- (1) Set R8\_SPIx\_CLOCK\_DIV, to configure SPI clock frequency;
- (2) Set RB\_SPI\_MODE\_SLAVE in R8\_SPIx\_CTRL\_MOD to 0, to configure SPI to master mode;
- (3) Set RB\_SPI\_MST\_SCK\_MOD in R8\_SPIx\_CTRL\_MOD, to select clock idle mode0 or mode3;
- (4) Set the RB\_SPI\_FIFO\_DIR in R8\_SPIx\_CTRL\_MOD to configure the FIFO direction. If it is 1, FIFO is used to receive. If it is 0, FIFO is used to transmit;
- (5) Set RB\_SPI\_MOSI\_OE and RB\_SPI\_SCK\_OE in R8\_SPIx\_CTRL\_MOD to 1, and set RB\_SPI\_MISO\_OE to 0, and set GPIO direction configuration register (R32\_PA/PB\_DIR), to set the MOSI pin and SCK pin as output, and MISO pin as input;
- (6) SCK remains unchanged in 2-wire mode, RB\_SPI\_MOSI\_OE=0, MOSI is not used. Input (same as 3-wire mode, RB\_SPI\_MISO\_OE=0 and the pin is set as input) and output (RB\_SPI\_MISO\_OE=1 and the pin is set as output) are realized by MISO half-duplex, and the directions are switched manually;

- (7) Optional. If DMA is enabled, it is needed to write the start address of transceiver buffer to R16\_SPI\_DMA\_BEG and write the end address (not included) to R16\_SPI\_DMA\_END. It is recommended to set RB\_SPI\_DMA\_ENABLE after setting RB\_SPI\_FIFO\_DIR. If R16\_SPIx\_TOTAL\_CNT is confirmed as 0, RB\_SPI\_DMA\_ENABLE can be first set to 1 to enable DMA function.

Data transmission:

- (1) Set RB\_SPI\_FIFO\_DIR to 0, and the current FIFO direction is output;
- (2) Write to the R16\_SPIx\_TOTAL\_CNT register, and set the length of the data to be sent;
- (3) Write to the R8\_SPIx\_FIFO register and write the data to be sent to FIFO. If R8\_SPIx\_FIFO\_COUNT is less than FIFO capacity, continue to write FIFO. If DMA is enabled, DMA will automatically load FIFO to complete this step;
- (4) As long as R16\_SPIx\_TOTAL\_CNT is not 0 and there is data in FIFO, SPI master will automatically send data, otherwise, it will pause;
- (5) Wait until R16\_SPIx\_TOTAL\_CNT register becomes 0, indicating that the data transmission is completed. If only one byte is sent, you can also query and wait for RB\_SPI\_FREE to be idle or wait for R8\_SPIx\_FIFO\_COUNT to be 0.

Data reception:

- (1) Set RB\_SPI\_FIFO\_DIR to 1, to set the current FIFO direction to input;
- (2) Write to the R16\_SPIx\_TOTAL\_CNT register, to set the length of the data to be received;
- (3) As long as R16\_SPIx\_TOTAL\_CNT is not 0 and FIFO is not full, SPI master will automatically receive data, otherwise, it will pause;
- (4) Wait until R8\_SPIx\_FIFO\_COUNT register is not 0, indicating that the return data is received, the value read in R8\_SPI0\_FIFO is the received data. If DMA is enabled, DMA will automatically read FIFO to complete this step.

### 10.4.2 Slave Mode

SPI0 supports the slave mode. In the slave mode, SCK pin is used to receive the serial clock of SPI master connected to the external.

Configuration procedure:

- (1) Set RB\_SPI\_MODE\_SLAVE in R8\_SPI0\_CTRL\_MOD to 1, to configure SPI0 to slave mode;
- (2) Set RB\_SPI\_SLV\_CMD\_MOD in R8\_SPI0\_CTRL\_MOD as needed, to select the slave first byte mode or data stream mode;
- (3) Set RB\_SPI\_FIFO\_DIR in R8\_SPI0\_CTRL\_MOD, to configure the FIFO direction. If it is 1, FIFO is used to receive; if it is 0, FIFO is used to transmit;
- (4) Set RB\_SPI\_MOSI\_OE and RB\_SPI\_SCK\_OE in R8\_SPI0\_CTRL\_MOD to 0, and set RB\_SPI\_MISO\_OE to 1, and set GPIO direction configuration register (R32\_PA/PB\_DIR) to make MOSI pin, SCK pin and SCS pin as input, MISO pin as input (support connect multiple slaves under the bus; MISO will automatically switch to output after chip select; one master with one slave is also supported) or output (only for connection of one master with one slave). In SPI slave mode, the I/O pin direction of MISO can be set as output by GPIO direction configuration register, it can also automatically switch to output during the period of valid SPI chip select. But its output data is selected by RB\_SPI\_MISO\_OE, it outputs SPI data when it is 1, and it outputs data of GPIO data output register when it is 0. It is recommended to set the MISO pin as input, so that MISO does not output when chip select is invalid, so that SPI bus can be shared during multiple-device operation;

- (5) Optional, set the preset data register (R8\_SPI0\_SLAVE\_PRE) in SPI0 slave mode, used to be automatically loaded into the buffer for the first time after chip select for external output. After 8 clocks (that is, the first data byte is exchanged between the master and the slave), the controller will obtain the first data byte (command code) sent by the external SPI host, and the external SPI host obtains the preset data (status value) in R8\_SPI0\_SLAVE\_PRE through exchange. The bit7 of R8\_SPI0\_SLAVE\_PRE will be automatically loaded into the MISO pin during SCK low level period after the SPI chip select is valid. For SPI mode 0 (CLK is at low level by default), if the bit7 of R8\_SPI0\_SLAVE\_PRE is preset, the external SPI host will obtain the preset value of bit7 of R8\_SPI0\_SLAVE\_PRE by inquiring the MISO pin when the SPI chip select is valid but has no data transmission, thereby the value of bit7 of R8\_SPI0\_SLAVE\_PRE can be obtained only by a valid SPI chip select (Usually a busy status is provided for the host, so that the host can quickly query);
- (6) Optional. If DMA is enabled, it is needed to write the start address of transceiver buffer to R16\_SPI\_DMA\_BEG and write the end address (not included) to R16\_SPI\_DMA\_END. It is recommended to set RB\_SPI\_DMA\_ENABLE after setting RB\_SPI\_FIFO\_DIR.

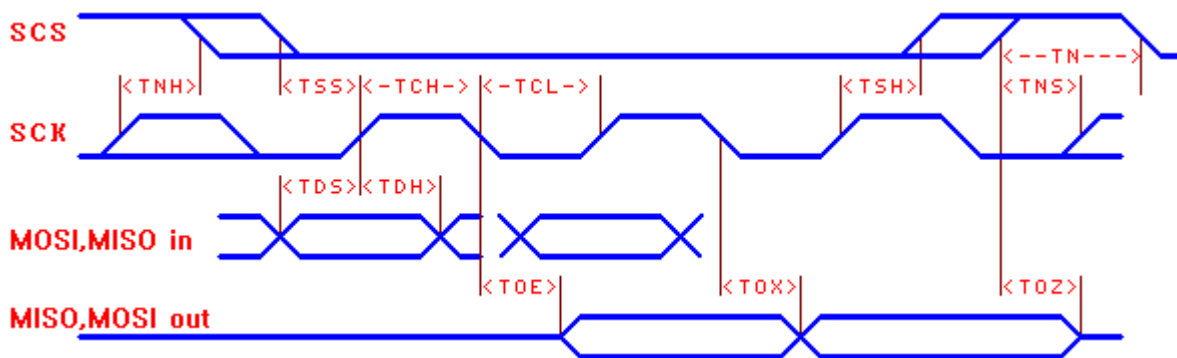
Data transmission:

- (1) Set RB\_SPI\_FIFO\_DIR in R8\_SPI0\_CTRL\_MOD to 0, and the current FIFO direction as output;
- (2) Optional step. If DMA is enabled, it is needed to set RB\_SPI\_DMA\_ENABLE to 1 to enable DMA function;
- (3) Write multiple transmission data into FIFO register R8\_SPI0\_FIFO, and the external host determines when to take it away. If DMA is enabled, DMA will automatically load FIFO to complete this step;
- (4) Query R8\_SPI0\_FIFO\_COUNT, if it is not full, continue to write data to be sent to FIFO.

Data reception:

- (1) Set RB\_SPI\_FIFO\_DIR of R8\_SPI0\_CTRL\_MOD to 1, and the current FIFO direction as input;
- (2) Optional step. If DMA is enabled, it is needed to set RB\_SPI\_DMA\_ENABLE to 1 to enable DMA function;
- (3) Query R8\_SPI0\_FIFO\_COUNT, if it is not empty, the data has been received and the data will be taken away by reading R8\_SPI0\_FIFO. If DMA is enabled, DMA will automatically read FIFO to complete this step;
- (4) For reception of the single byte data, R8\_SPI0\_BUFFER can be read directly without using FIFO.

### 10.5 SPI Timing



Name	Parameters description (TA=25°C, VIO33=3.3V)	Min.	Typ.	Max.	Unit
TSS	Setup time of valid SCS before SCK rising edge	Tsys*1.05			nS
TSH	Hold time of valid SCS before SCK rising edge	Tsys*1.05			nS
TNS	Setup time of invalid SCS before SCK rising edge	15			nS
TNH	Hold time of invalid SCS before SCK rising edge	15			nS

TN	Time of invalid SCS (interval time of SPI operation)	$T_{sys} * 2$			nS
TCH	Time of SCK clock at high level	$T_{sys} * 0.55$			nS
TCL	Time of SCK clock at low level	$T_{sys} * 0.55$			nS
TDS	Setup time of MOSI/MISO input before SCK rising edge	8			nS
TDH	Hold time of MOSI/MISO input before SCK rising edge	5			nS
TOE	SCK falling edge to MISO/MOSI output valid	0		18	nS
TOX	SCK falling edge to MISO/MOSI output change	0	5	16	nS
TOZ	SCS invalid to MISO/MOSI output invalid	2		24	nS

Note:  $T_{sys}$  is the cycle of system clock frequency ( $1/F_{sys}$ ).

## Chapter 11 PWM

### 11.1 Introduction to PWM

In addition to the 4 x 26-bit PWM outputs provided by the timer, the system also provides 8 × 8-bit PWM outputs (PWM4 to PWM11) or 6 × 16-bit PWM outputs (PWM4 to PWM9) with adjustable duty cycle and a fixed selectable PWM period of 8 cycles for simple operation.

### 11.2 Register Description

Table 11-1 PWMx registers

Name	Access address	Description	Reset value
R8_PWM_OUT_EN	0x40005000	PWMx output enable register	0x00
R8_PWM_POLAR	0x40005001	PWMx output polarity configuration register	0x00
R8_PWM_CONFIG	0x40005002	PWMx configuration control register	0x0X
R8_PWM_CLOCK_DIV	0x40005003	PWMx clock divider register	0x00
R32_PWM4_7_DATA	0x40005004	PWM4/5/6/7 data hold register	0xFFFFFFFF
R8_PWM4_DATA	0x40005004	PWM4 data hold register	0xFF
R8_PWM5_DATA	0x40005005	PWM5 data hold register	0xFF
R8_PWM6_DATA	0x40005006	PWM6 data hold register	0xFF
R8_PWM7_DATA	0x40005007	PWM7 data hold register	0xFF
R32_PWM8_11_DATA	0x40005008	PWM8/9/10/11 data hold register	0xFFFFFFFF
R8_PWM8_DATA	0x40005008	PWM8 data hold register	0xFF
R8_PWM9_DATA	0x40005009	PWM9 data hold register	0xFF
R8_PWM10_DATA	0x4000500A	PWM10 data hold register	0xFF
R8_PWM11_DATA	0x4000500B	PWM11 data hold register	0xFF
R8_PWM_INT_CTRL	0x4000500C	PWMx interrupt control and status register	0x00
R32_PWM_REG_DATA8	0x40005010	PWM8/9 data register	0xFFFFFFFF
R32_PWM_REG_CYCLE	0x40005014	PWM cycle count end register	0x0000XXXX

#### PWMx Output Enable Register (R8\_PWM\_OUT\_EN)

Bit	Name	Access	Description	Reset value
7	RB_PWM11_OUT_EN	RW	PWM11 output enable: 1: Enabled; 0: Disabled.	0
6	RB_PWM10_OUT_EN	RW	PWM10 output enable: 1: Enabled; 0: Disabled.	0
5	RB_PWM9_OUT_EN	RW	PWM9 output enable: 1: Enabled; 0: Disabled.	0
4	RB_PWM8_OUT_EN	RW	PWM8 output enable: 1: Enabled; 0: Disabled.	0
3	RB_PWM7_OUT_EN	RW	PWM7 output enable: 1: Enabled; 0: Disabled.	0

2	RB_PWM6_OUT_EN	RW	PWM6 output enable: 1: Enabled; 0: Disabled.	0
1	RB_PWM5_OUT_EN	RW	PWM5 output enable: 1: Enabled; 0: Disabled.	0
0	RB_PWM4_OUT_EN	RW	PWM4 output enable: 1: Enabled; 0: Disabled.	0

PWMx Output Polarity Configuration Register (R8\_PWM\_POLAR)

Bit	Name	Access	Description	Reset value
7	RB_PWM11_POLAR	RW	PWM11 output polarity control: 1: Default at high level, active low; 0: Default at low level, active high.	0
6	RB_PWM10_POLAR	RW	PWM10 output polarity control: 1: Default at high level, active low; 0: Default at low level, active high.	0
5	RB_PWM9_POLAR	RW	PWM9 output polarity control: 1: Default at high level, active low; 0: Default at low level, active high.	0
4	RB_PWM8_POLAR	RW	PWM8 output polarity control: 1: Default at high level, active low; 0: Default at low level, active high.	0
3	RB_PWM7_POLAR	RW	PWM7 output polarity control: 1: Default at high level, active low; 0: Default at low level, active high.	0
2	RB_PWM6_POLAR	RW	PWM6 output polarity control: 1: Default at high level, active low; 0: Default at low level, active high.	0
1	RB_PWM5_POLAR	RW	PWM5 output polarity control: 1: Default at high level, active low; 0: Default at low level, active high.	0
0	RB_PWM4_POLAR	RW	PWM4 output polarity control: 1: Default at high level, active low; 0: Default at low level, active high.	0

PWMx Configuration Control Register (R8\_PWM\_CONFIG)

Bit	Name	Access	Description	Reset value
7	RB_PWM10_11_STAG_EN	RW	PWM10/11 interleaved output enable: 1: Interleaved output; 0: Independent output.	0
6	RB_PWM8_9_STAG_EN	RW	PWM8/9 interleaved output enable: 1: Interleaved output; 0: Independent output.	0
5	RB_PWM6_7_STAG_EN	RW	PWM6/7 interleaved output enable: 1: Interleaved output;	0

			0: Independent output.	
4	RB_PWM4_5_STAG_EN	RW	PWM6/7 interleaved output enable: 1: Interleaved output; 0: Independent output.	0
[3:2]	RB_PWM_CYC_MOD	RW	PWM data width selection: 00: 8-bit data width; 01: 7-bit data width; 00: 6-bit data width; 11: 5-bit data width.	00b
1	RB_PWM_STAG_ST	RO	PWM interleave flag: 1: PWM5/7/9/11 is allowed to output; 0: PWM4/6/8/10 is allowed to output.	X
0	RB_PWM_CYCLE_SEL	RW	PWM period selection: 1: 8/7/6-bit data widths corresponding to 255/127/63 clock cycles; 16-bit data width corresponding to clock cycles controlled by R32_PWM_REG_CYCLE. 0: 8/7/6-bit data width corresponding to 256/128/64 clock cycles; The 16-bit data width corresponds to clock cycles controlled by R32_PWM_REG_CYCLE.	0

## PWMx Clock Divider Register (R8\_PWM\_CLOCK\_DIV)

Bit	Name	Access	Description	Reset value
[7:0]	R8_PWM_CLOCK_DIV	RW	PWM reference clock frequency division factor. $F_{pwm} = F_{sys} / R8\_PWM\_CLOCK\_DIV$ .	00h

## PWM Data Hold Register Group1 (R32\_PWM4\_7\_DATA)

Bit	Name	Access	Description	Reset value
[31:24]	R8_PWM7_DATA	RW	PWM7 data hold register.	XXb
[23:16]	R8_PWM6_DATA	RW	PWM6 data hold register.	XXb
[15:8]	R8_PWM5_DATA	RW	PWM5 data hold register.	XXb
[7:0]	R8_PWM4_DATA	RW	PWM4 data hold register.	XXb
[31:16]	R16_PWM5_DATA	RW	PWM5 data hold register (16-bit width).	XXh
[15:0]	R16_PWM4_DATA	RW	PWM4 data hold register (16-bit width).	XXh

## PWM Data Hold Register Group2 (R32\_PWM8\_11\_DATA)

Bit	Name	Access	Description	Reset value
[31:24]	R8_PWM11_DATA	RW	PWM11 data hold register.	XXb
[23:16]	R8_PWM10_DATA	RW	PWM10 data hold register.	XXb
[15:8]	R8_PWM9_DATA	RW	PWM9 data hold register.	XXb
[7:0]	R8_PWM8_DATA	RW	PWM8 data hold register.	XXb

[31:16]	R16_PWM7_DATA	RW	PWM7 data hold register (16-bit width).	XXh
[15:0]	R16_PWM6_DATA	RW	PWM6 data hold register (16-bit width).	XXh

#### PWMx Interrupt Control and Status Register (R8\_PWM\_INT\_CTRL)

Bit	Name	Access	Description	Reset value
7	RB_PWM_IF_CYC	RW1	PWM cycle end flag. Write 1 to reset: 1: End; 0: Not end.	0
[6:2]	Reserved	RO	Reserved	00000b
1	RB_PWM_CYC_PRE	RW	Select the interrupt time point at the end of PWM cycle: 1: Interrupt is generated 16 counts in advance (take 8-bit data width as an example, interrupt is generated when the count reaches 240); 0: Interrupt is generated 2 counts in advance (take 8-bit data width as an example, interrupt is generated when the count reaches 254).	0
0	RB_PWM_IE_CYC	RW	PWM cycle end interrupt enable: 1: Enabled; 0: Disabled.	0

#### PWM8/9 Data Register (R32\_PWM\_REG\_DATA8)

Bit	Name	Access	Description	Reset value
[31:16]	R16_PWM9_REG_DATA	RW	16-bit bit data of PWM9 channel.	XXXXh
[15:0]	R16_PWM8_REG_DATA	RW	16-bit bit data of PWM8 channel.	XXXXh

#### PWM Cycle Count End Register (R32\_PWM\_REG\_CYCLE)

Bit	Name	Access	Description	Reset value
[31:16]	Reserved	RO	Reserved	0000h
[15:0]	RB_PWM_CYC_VALUE	RW	PWM clock period at 16 data width.	XXXXh

## 11.3 PWM Configuration

- (1) Set the R8\_PWM\_CLOCK\_DIV register, to configure the reference clock frequency of PWM;
- (2) Set the PWM output polarity configuration register (R8\_PWM\_POLAR), to configure the output polarity of the corresponding PWMx;
- (3) Set the PWM configuration control register (R8\_PWM\_CONFIG), to set the PWM mode, data width and cycle;
- (4) Set PWM output enable register (R8\_PWM\_OUT\_EN), to enable the corresponding PWMx output;
- (5) Calculate the data according to the required duty cycle and write it into the corresponding data hold register (R8\_PWMx\_DATA);
- (6) Set the required PWM pin direction of PWM4-PWM11 as output, optional, set the drive capability of corresponding I/O;
- (7) Update the data in R8\_PWMx\_DATA as needed, to update the output duty cycle.

Number of clock cycles (Ncyc) calculation formula:

$Ncyc = 2^n - RB\_PWM\_CYCLE\_SEL$  (data width  $n=8/7/6$ );



$N_{cyc} = RB\_PWM\_CYC\_VALUE$  (n=16)

R8\_PWMx\_DATA calculation formula:

$R8\_PWMx\_DATA = PWMx \text{ duty cycle} * N_{cyc}$

PWMx output frequency  $F_{pwmout}$  Calculation formula:

$PWMx \text{ output frequency } F_{pwmout} = F_{pwm} / N_{cyc} = F_{sys} / R8\_PWM\_CLOCK\_DIV / N_{cyc}$

*Note: If a DC signal needs to be generated by PWM, then the PWMx output can be filtered using a circuit such as R/C. It is recommended to use a two-stage RC with a time constant much greater than  $4/F_{pwmout}$ , or a one-stage RC with a time constant much greater than  $100/F_{pwmout}$ .*

## Chapter 12 Inter Integrated Circuit (I2C) Interface

### 12.1 Introduction to I2C

I2C (inter-integrated circuit) bus interface is a medium-low-speed serial bus. Multiple masters and slaves can be connected on the bus. Usually, I2C interface consists of 2 pins: serial clock pin (SCL) and serial data pin (SDA).

#### 12.1.1 Main Features

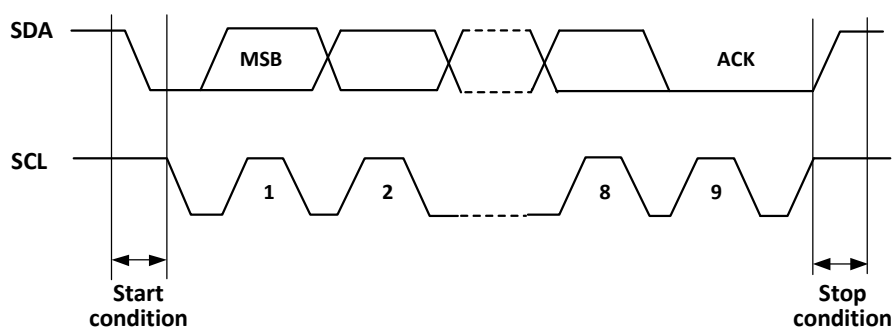
CH592 chip provides an I2C interface with the following characteristics:

- Master mode and Slave mode, support multi-master and multi-slave.
- Two speeds: 100KHz and 400KHz, compatible with I2C Bus Specification.
- 7-bit and 10-bit addressing.
- The slave device supports dual 7-bit addresses.
- Broadcast bus.
- Bus arbitration, error detection, PEC verification, clock extension.
- SMBus compatibility.

### 12.2 I2C Overview

I2C is a half-duplex bus and can operate in one of the 4 following modes: master transmitter, master receiver, slave transmitter and slave receiver. By default, I2C operates in slave mode. After I2C generates a START condition, it automatically switches from slave to master. After an arbitration is lost or a Stop signal generates, it switches to slave. I2C supports multi-master mode. When it operates in master mode, I2C transmits data and addresses actively. Data and addresses are transferred as 8-bit bytes, high bits first, low bits last. After a Start event, it is 1-byte (in 7-bit mode) or 2-byte (in 10-bit mode). Every time the master transmits 8-bit data or address, the slave needs to respond one ACK, that is, pull down SDA bus, as shown in Figure 12-1.

Figure 12-1 I2C timing diagram



### 12.3 Master Mode

In master mode, I2C dominates a data transmission and generates the clock signal. A data transmission always begins with a Start condition, and ends with a Stop condition. The following is the step sequence in master mode:

- 1) Set the correct timings in the control register2 (R16\_I2C\_CTRL2) and clock control register (R16\_I2C\_CKCFGR);

- 2) Set suitable rise time in rise time register (R16\_I2C\_RTR);
- 3) Set the PE bit to enable peripheral in the control register (R16\_I2C\_CTRL1);
- 4) Set the START bit in the control register (R16\_I2C\_CTRL1), to generate a Start condition.

After the START bit is set, I2C automatically switch to master mode, MSL bit is set, a Start condition is generated. After a Start condition is generated, SB bit will be set. If ITEVTEN bit (in R16\_I2C\_CTRL2) is set, an interrupt will be generated. At this time, it is required to read the status register1 (R16\_I2C\_STAR1), write slave address to the data register, SB bit will be automatically cleared;

- 5) If in 10-bit addressing mode, write the data register to send the header sequence (header sequence is 11110xx0b, where xx denotes the highest 2 bits of 10-bit address).

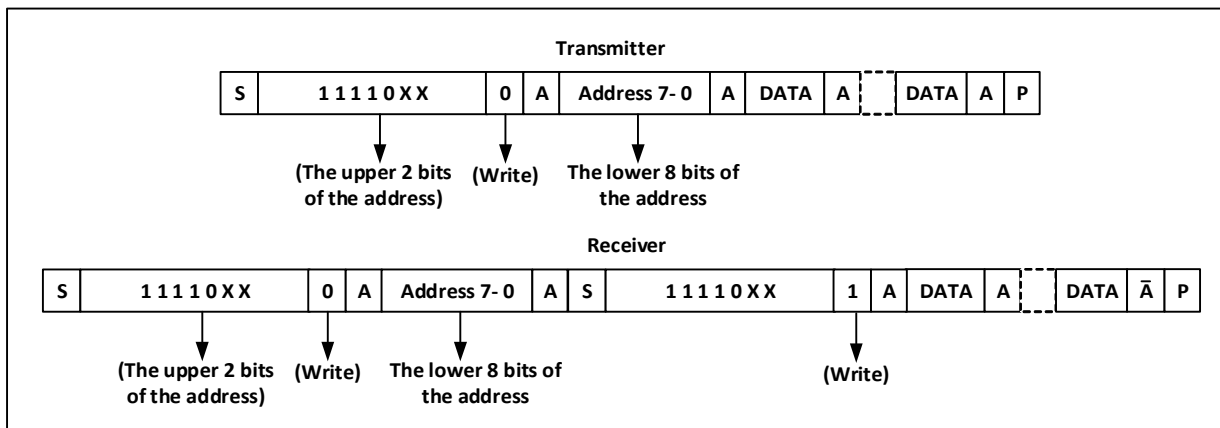
After the header sequence is sent, the ADD10 bit of the status register will be set. If ITEVTEN bit is set, an interrupt will be generated. At this time, it is required to read R16\_I2C\_STAR1 register, then write the second address byte to the data register, to clear ADD10 bit.

Then, write the data register to send the second address byte. After the second address byte is sent, ADDR bit of the status register will be set. If ITEVTEN bit is set, an interrupt will be generated. At this time, it is required to read R16\_I2C\_STAR1 register and then read R16\_I2C\_STAR2 register to clear ADDR bit;

If in 7-bit addressing mode, write data register to send address byte. After the address byte is sent, ADDR bit of the status register will be set. If ITEVTEN bit is set, an interrupt will be generated. At this time, it is required to read R16\_I2C\_STAR1 register and then read R16\_I2C\_STAR2 register to clear ADDR bit; In 7-bit addressing mode, the first sent byte is the address byte. The first 7 bits represent target slave device address, and the 8th bit determines the direction of the following message. 0 means that the master writes data to the slave, and 1 means that the master reads data from the slave.

In 10-bit addressing mode, as shown in Figure 12-3, when transmitting address, the first byte is 11110xx0, where xx denotes the highest 2 bits of the 10-bit address. The second byte is the lower 8 bits of the 10-bit address. If going into master transmitter mode later, continue to transmit data. If going into master receiver mode later, it is required to send a repeated Start condition, followed by the header (11110xx1), then enter master receiver mode.

Figure 12-3 Master transceiver data in 10-bit mode



- 6) For transmitter, the internal shift register of the master transmits data from the data register to SDA. When the master receives ACK, the TxE bit of the status register1 (R16\_I2C\_STAR1) is set. If ITEVTEN bit and ITBUFEN bit are set, an interrupt will be generated. Write data to the data register to clear TxE bit. If TxE bit is set and no data is written to the data register before last data transmission, BTF bit will be set. SCL is kept at low level before it is cleared. Read R16\_I2C\_STAR1, and then write data into the data register, to clear BTF bit.

For receiver, I2C receives data from SDA, and writes data to the data register via the shift register. After each byte, if ACK bit is set, I2C will send a response low level, and RxNE bit will be set. If ITEVTEN bit and ITBUFEN bit are set, an interrupt will be generated. If RxNE is set and no original data is read out before new data reception, BTF bit will be set. Before BTF is cleared, SCL will be kept at low level. Read R16\_I2C\_STAR1, then read the data register, to clear BTF bit.

- 7) The master automatically sends a Stop condition when it ends sending data, that is, STOP bit is set. For receiver, the master is required to set NAK at the response bit of the last data bit. Note, after NAK is generated, I2C will automatically switch to slave mode.

## 12.4 Slave Mode

In slave mode, I2C can recognize its address and general call address. The recognition of general call address can be enabled or disabled by software. Once a Start condition is detected, I2C will compare the data of SDA with its own address via the shift register (bit number is determined by ENDUAL and ADDMODE) or general address (ENGC bit is set). If not matched, the interface ignores it and waits for another Start condition. If the header is matched, the ACK signal generates and waits for the address of the second byte. If the address of the second byte is matched or the full address is matched in 7-bit addressing mode, the ACK is generated firstly; the ADDR bit is set, if ITEVTEN bit has been set, the corresponding interrupt will be generated. If in dual-address mode (ENDUAL bit is set), it is required to read DUALF bit to judge which address is woken up by the master.

For slave mode, it is receiver mode by default. When the last bit of the received header is 1, or when the last bit of the 7-bit address is 1 (the first received is the header or normal 7-bit address), I2C will go into transmitter mode, TRA bit indicates that it is in receiver mode or in transmitter mode.

In transmitter mode, after ADDR bit is cleared, I2C transmits byte from the data register to SDA via the shift register. After the ACK is received, TxE bit will be set. If ITEVTEN bit and ITBUFEN bit are set, an interrupt will be generated. If TxE is set but no new data is written to the data register before the end of next data transmission, BTF bit will be set. Before BTF is cleared, SCL will be kept at low level. Read the status register1 (R16\_I2C\_STAR1), then write data to the data register, to clear BTF bit.

In receiver mode, after ADDR is cleared, I2C stores data in SDA to the data register via the shift register. Every time a byte is received, I2C will set ACK bit, and set RxNE bit. If ITEVTEN and ITBUFEN are set, an interrupt will be generated. If RxNE is set, and no previous data is read out before reception of new data, BTF bit will be set. Before BTF bit is cleared, SCL will be kept at low level. Read the status register1 (R16\_I2C\_STAR1), and read the data in the data register, to clear BTF bit.

When I2C detects a Stop condition, STOPF bit will be set. If ITEVFEN bit is set, an interrupt will be generated. Read the status register (R16\_I2C\_STAR1), then write to the control register (such as reset control word SWRST) to clear.

## 12.5 Error Conditions

### 12.5.1 Bus Error (BERR)

The bus error occurs when I2C interface detects an external Stop or Start condition during an address or a data transfer. When a bus error occurs, the BERR bit is set. And an interrupt is generated if the ITERREN is set. In slave mode, data are discarded, and the lines are released by hardware. If it is a Start condition, the slave considers it is a restart, and waits for an address or a Stop condition. If it is a Stop condition, the slave behaves like for a Stop condition. In master mode, lines are not released by hardware and the state of the current transmission is not affected. The user codes determine to abort or not the current transmission.

### 12.5.2 Acknowledge Failure (AF)

When I2C interface detects a non-acknowledge bit, the acknowledge failure occurs. When it occurs, the AF bit is set, and an interrupt is generated if the ITERREN bit is set. When AF occurs, if I2C interface works in slave mode, the lines must be released by hardware; if in master mode, a Stop condition must be generated by software.

### 12.5.3 Arbitration Lost (ARLO)

When I2C interface detects an arbitration lost condition, it occurs. When an arbitration lost occurs, the ARLO bit is set, and an interrupt is generated if the ITERREN bit is set. I2C switches to slave mode, and does not acknowledge its slave address in the same transfer, unless the master initiates a new Start condition. Lines are released by hardware.

### 12.5.4 Overload/Underload Error (OVR)

1) Overrun error:

In slave mode, when clock stretching is disabled and I2C interface is receiving data, if a byte is received and the last received data has not been read, it occurs. When it occurs, the last received byte is lost, and the transmitter should re-transmit the last received byte.

2) Underrun error:

In slave mode, when clock stretching is disabled and I2C interface is transmitting data, if no new data is written to the data register before the next byte, it occurs. When it occurs, the data in the last data register will be sent again. If it occurs, the receiver should discard the repeated received data. In order to not generate underrun error, I2C interface should write the data to the data register before the first rising edge of the next byte.

## 12.6 Clock Stretching

If clock stretching is disabled, overrun/underrun error may occur. However, if clock stretching is enabled:

- 1) In transmitter mode, if the TxE bit is set and the BTF bit is set, SCL is kept at low level and waits for user to read the status register, and write the data to be sent into the data register;
- 2) In receiver mode, if the RxNE bit is set and the BTF bit is set, SCL is kept at low level after data is received, until user reads the status register and read the data register;

So, enabling clock stretching helps avoid overrun/underrun error.

## 12.7 SMBus

The System Management Bus (SMBus) is a 2-wire interface, which is usually used between system and power management. SMBus has multiple similarities with I2C, for example, SMBus uses the same 7-bit addressing mode as I2C. The following is similarities between SMBus and I2C:

- 1) Master-slave communication, Master provides clock, multi-master multi-slave is supported;
- 2) Two-wire communication protocol;
- 3) 7-bit addressing format.

Differences:

- 1) The speed of I2C can be up to 400KHz. The speed of SMBus can only be up to 100KHz, and the minimum speed of SMBus is 10KHz;
- 2) SMBus: 35 mS clock low timeout. I2C: no timeout;
- 3) SMBus has fixed logic levels. While I2C does not have fixed logic levels, which are determined by VDD;

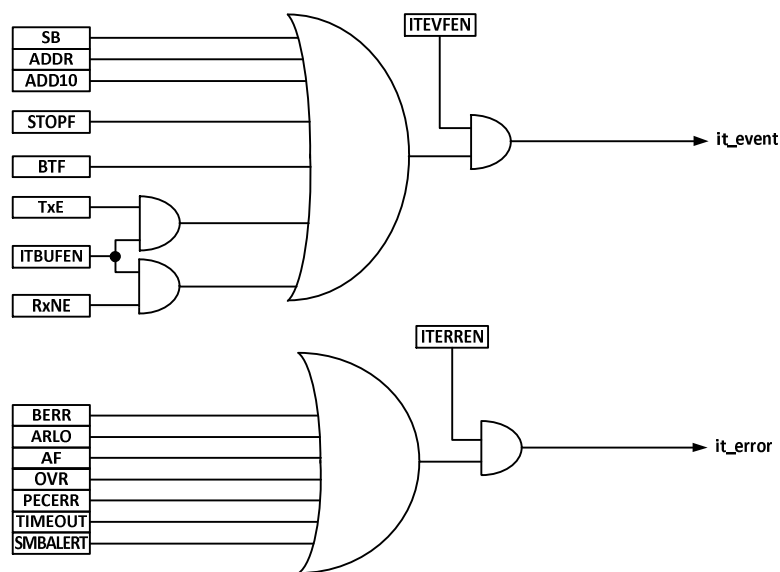
4) SMBus has bus protocols, while I2C does not have bus protocols.

SMBus also contains device identification, address resolution protocol, unique device identifier, SMBus alert and various bus protocols, please refer to SMBus specification version 2.0 for details. When SMBus is used, set the SMBus bit of the control register, and configure the SMBTYPE bit and the ENAARP bit as required.

## 12.8 Interrupt

I2C interface provides event interrupt and error interrupt. After going into the same interrupt service program, they are processed separately after query.

Figure 12-4 I2C interrupt requests



## 12.9 Packet Error Checking (PEC)

Packet Error Checking (PEC) is an additional CRC8 check step to provide transmission reliability and is calculated for each bit of serial data using the following polynomial:  $C=X^8+X^2+X+1$ .

PEC calculation is enabled by the ENPEC bit of the control register, and calculated on all message bytes, including addressed and Read/Write bits. In transmission, if PEC is enabled, the CRC8 calculation result of the last byte is added after the last byte data. In reception, the last byte is considered as the CRC8 calculation result. If it is not matched with the internal calculation result, a NAK is sent. In case of master receiver, a NAK follows the PEC whatever the check result.

## 12.10 Register Description

Table 12-1 I2C registers

Name	Access address	Description	Reset value
R16_I2C_CTRL1	0x40004800	I2C control register 1	0x0000
R16_I2C_CTRL2	0x40004804	I2C control register 2	0x0000

R16_I2C_OADDR1	0x40004808	I2C address register 1	0x0000
R16_I2C_OADDR2	0x4000480C	I2C address register 2	0x0000
R16_I2C_DATAR	0x40004810	I2C data register	0x0000
R16_I2C_STAR1	0x40004814	I2C status register 1	0x0000
R16_I2C_STAR2	0x40004818	I2C status register 2	0x0000
R16_I2C_CKCFGR	0x4000481C	I2C clock register	0x0000
R16_I2C_RTR	0x40004820	I2C rise time register	0x0002

## I2C Control Register (I2C\_CTRL1)

Bit	Name	Access	Description	Reset value
15	SWRST	RW	Software reset. When user codes set this bit, I2C is reset. Before reset, make sure that IIC lines are released and the bus is idle. <i>Note: This bit can reset I2C when no Stop condition is detected on the bus but the busy bit is 1.</i>	0
14	Reserved	RO	Reserved	0
13	ALERT	RW	SMBus alert. This bit can be set or cleared by user codes. After the PE bit is set, this bit can be cleared by hardware. 1: Drive SMBusALERT pin low, response address header followed by ACK; 0: Release SMBusALERT pin high, response address header followed by NACK.	0
12	PEC	RW	Data packet error checking enable, it is set to enable data packet error checking detection. This bit can be set or cleared by user codes. After PEC is transmitted, or when a Start or Stop condition is generated, or when the PE bit is cleared to 0, this bit is cleared by hardware. 1: PEC; 0: No PEC. <i>Note: PEC is corrupted when an arbitration is lost.</i>	0
11	POS	RW	ACK/PEC position. This bit can be set or cleared by user codes. Or this bit can be cleared by hardware after PE is cleared. 1: The ACK bit controls ACK/NAK of the next byte that is received in the shift register. The next byte that is received in PEC shift register is a PEC; 0: The ACK bit controls ACK/NAK of the current byte being received in the shift register. The PEC bits indicates that current byte in the shift register is a PEC. <i>Note: The POS bit is used for the reception of 2bytes data: it must be configured before reception. To NACK the second byte, the ACK bit must be cleared</i>	0

			<i>at once after the ADDR bit is cleared. To check the second byte as PEC, the PEC bit must be set after ADDR event occurs and the POS bit is configured.</i>	
10	ACK	RW	Acknowledge enable. This bit can be set or cleared by user codes. Or this bit can be cleared by hardware after PE is set. 1: Acknowledge returned after a byte is received; 0: No acknowledge.	0
9	STOP	RW	Stop condition generation. This bit can be set or cleared by user codes. Or this bit can be cleared by hardware when a Stop condition is detected. Or this bit can be set by hardware when a timeout error is detected. In master mode: 1: A Stop condition is generated during current byte transmission or after current Start condition is sent; 0: No Stop condition generated. In slave mode: 1: Release SCL and SDA after current byte transmission; 0: No Stop condition generated.	0
8	START	RW	Start condition generation. This bit can be set or cleared by user codes. Or this bit can be cleared by hardware when a Start condition is sent or PE is cleared. In master mode: 1: Repeated Start condition generation; 0: No Start condition generation. In slave mode: 1: A Start condition is generated when the bus is idle; 0: No Start condition generated.	0
7	NOSTRETCH	RW	Clock stretching disable. This bit can be used to disable clock stretching when ADDB or BTF flag is set, until it is cleared by software. 1: Disable clock stretching; 0: Enable clock stretching.	0
6	ENGC	RW	General call enable. This can be set to enable general call. Response general address 00h.	0
5	ENPEC	RW	PEC enable. This bit can be set to enable PEC calculation.	0
4	ENARP	RW	ARP enable. This bit can be set to enable ARP. If SMBTYPE=0, use default SMBus device address; If SMBTYPE=1, use SMBus host address.	0
3	SMBTYPE	RW	SMBus device type. 1: SMBus host; 0: SMBus device.	0



2	Reserved	RO	Reserved	0
1	SMBUS	RW	SMBus mode selection: 1: SMBus mode; 0: I2C mode.	0
0	PE	RW	I2C peripheral enable. 1: I2C enabled; 0: I2C disabled.	0

## I2C Control Register2 (I2C\_CTRL2)

Bit	Name	Access	Description	Reset value
[15:11]	Reserved	RO	Reserved.	00000b
10	ITBUFEN	RW	Buffer interrupt enable. 1: When TxE or RxEN is set, event interrupt is generated; 0: When TxE or RxEN is set, no interrupt is generated.	0
9	ITEVTEN	RW	Event interrupt enable. This bit can be set to enable event interrupt. The interrupt is generated when: SB=1 (Master); ADDR=1 (Master/Slave); ADDR10=1 (Master); STOPF=1 (Slave); BTF=1, with no TxE or RxEN event; If ITBUFEN=1, TxE event to 1; If ITBUFEN=1, RxNE event to 1.	0
8	ITERREN	RW	Error interrupt enable. This bit can be set to enable error interrupt. The interrupt is generated when: BERR=1; ARLO=1; AF=1; OVR=1; PECERR=1; TIMEOUT=1; SMBAlert=1.	0
[7:6]	Reserved	RO	Reserved.	00b
[5:0]	FREQ	RW	I2C clock frequency. The correct clock frequency must be input to generate correct timing. The allowed range is 2~36MHz. These bits must be set between 000010b and 100100b, and the unit is MHz. Recommended: Minimum 2MHz input clock in standard mode; minimum 4MHz input clock in fast mode.	000000b

## I2C Address Register1 (I2C\_OADDR1)

Bit	Name	Access	Description	Reset value
15	ADDMODE	RW	Addressing mode. 1: 10-bit slave address (7-bit address not acknowledged);	0

			0: 7-bit slave address (10-bit address not acknowledged).	
[14:10]	Reserved	RO	Reserved	00000b
[9:8]	ADD9_8	RW	Bus address. Bits9:8 when using 10-bit address. Ignore when using 7-bit address.	0
[7:1]	ADD7_1	RW	Bus address, bits7:1.	0000000b
0	ADD0	RW	Bus address. Bit0 when using 10-bit address. Ignore when using 7-bit address.	0

## I2C Address Register2 (I2C\_OADDR2)

Bit	Name	Access	Description	Reset value
[15:8]	Reserved	RO	Reserved.	00h
[7:1]	ADD2	RW	Bus address, bits7:1 in dual addressing mode.	00h
0	ENDUAL	RW	Dual addressing mode enable bit. This bit can be set to make ADD2 recognized.	0

## I2C Data Register (I2C\_DATAR)

Bit	Name	Access	Description	Reset value
[15:8]	Reserved	RO	Reserved.	00h
[7:0]	DATAR	RW	Data register. It can be used to store the received data or store the data to be sent to the bus.	00h

## I2C Status Register1 (I2C\_STAR1)

Bit	Name	Access	Description	Reset value
15	SMBALERT	RW0	SMBus alert. This bit can be reset by user codes writing 0, or reset by hardware when PE is at low level. In SMBus host mode: 1: SMBus alert occurs; 0: No SMBus alert. In SMBus slave mode: 1: SMBAlert response address header to SMBAlert LOW received; 0: No SMBAlert response address header received.	0

14	TIMEOUT	RW0	<p>Timeout or Tlow error flag. This bit can be reset by user codes writing 0, or reset by hardware when PE is at low level.</p> <p>1: SCL remained LOW for 25mS, or master low extend time more than 10mS, or slave low extend time more than 25mS;</p> <p>0: No timeout error.</p> <p><i>Note: When this bit is set in slave mode, slave resets communication, lines are released by hardware. When this bit is set in host mode, a Stop condition is sent by hardware.</i></p>	0
13	Reserved	RO	Reserved.	0
12	PECERR	RW0	<p>PEC error flag in reception. This bit can be reset by user codes writing 0, or reset by hardware when PE is at low level.</p> <p>1: PEC error, NAK returned after PEC is received;</p> <p>0: No PEC error.</p>	0
11	OVR	RW0	<p>Overrun/Underrun flag.</p> <p>1: Overrun/Underrun: If NOSTRETCH=1, when a new byte is received in reception and data register has not been read, the new received byte is lost. In transmission, when no new data is written into data register, the same byte is sent twice;</p> <p>0: No overrun/underrun.</p>	0
10	AF	RW0	<p>Acknowledge failure flag. This bit can be reset by user codes writing 0, or reset by hardware when PE is at low level.</p> <p>1: Acknowledge failure;</p> <p>0: No acknowledge failure.</p>	0
9	ARLO	RW0	<p>Arbitration lost flag. This bit can be reset by user codes writing 0, or reset by hardware when PE is at low level.</p> <p>1: Arbitration lost detected, the interface loses the control to the bus;</p> <p>0: Arbitration is normal.</p>	0
8	BERR	RW0	<p>Bus error flag. This bit can be reset by user codes writing 0, or reset by hardware when PE is at low level.</p> <p>1: Start/Stop condition error;</p> <p>0: Normal.</p>	0

7	TxE	RO	Data register empty flag. It can be cleared by writing data to the data register, or it can be cleared by hardware after a Start/Stop condition is generated or when PE is 0. 1: Data register empty in transmission; 0: Data register not empty.	0
6	RxNE	RO	Data register not empty flag. It can be cleared by reading/writing data to the data register, or it can be cleared by hardware when PE is 0. 1: Data register not empty in reception; 0: Normal.	0
5	Reserved	RO	Reserved.	0
4	STOPF	RO	Stop condition flag. It can be cleared by write operation to the control register1 after user reads the status register1, or it can be cleared by hardware when PE is 0. 1: Slave detects a Stop condition on the bus after an acknowledge; 0: No Stop condition detected.	0
3	ADD10	RO	10-bit address header sent flag. It can be cleared by write operation to the control register1 after user reads the status register1, or it can be cleared by hardware when PE is 0. 1: In 10-bit addressing mode, slave has sent the first address byte; 0: None.	0
2	BTF	RO	Byte transmission finished flag. It can be cleared by read/write operation to the data register after user reads the status register1. In transmission, it can be cleared by hardware after a Start/Stop condition is generated or when PE is 0. 1: Byte transmission finished. If NOSTRETCH=0: in transmission, when a new data is sent and no new data is written into the data register; in reception, when a new byte is received but the data register has not been read; 0: None.	0

1	ADDR	RW0	<p>Address sent/matched flag. It can be cleared by read operation to the status register2 after user reads the status register1, or it can be cleared by hardware when PE is 0.</p> <p>In master mode:</p> <p>1: Address transmission finished: in 10-bit addressing mode, this bit is set after ACK of the second address byte is received; in 7-bit addressing mode, this bit is set after ACK of the byte is received;</p> <p>0: Address transmission not finished.</p> <p>In slave mode:</p> <p>1: Received address matched;</p> <p>0: Address not matched or no address received.</p>	0
0	SB	RO	<p>Start bit sent flag. It can be cleared by write operation to the data register after user reads the status register1, or it can be cleared by hardware when PE is 0.</p> <p>1: Start bit sent; 0: Start bit not sent.</p>	0

## I2C Status Register2 (I2C\_STAR2)

Bit	Name	Access	Description	Reset value
[15:8]	PEC	RO	Packet error checking register. When PEC is enabled (ENPEC is set), this register stores the value of PEC.	00h
7	DUALF	RO	<p>Dual flag. It can be cleared by hardware when a Stop/Start bit is generated or when PE=0.</p> <p>1: Received address matched with OADDR2;</p> <p>0: Received address matched with OADDR1.</p>	0
6	SMBHOST	RO	<p>SMBus host header flag. It can be cleared by hardware when a Stop/Start bit is generated or when PE=0.</p> <p>1: When SMBTYPE=1 and ENARP=1, SMBus host address received;</p> <p>0: SMBus host address not received.</p>	0
5	SMBDEFAULT	RO	<p>SMBus device default address flag. It can be cleared by hardware when a Stop/Start bit is generated or when PE=0.</p> <p>1: When ENARP=1, SMBus device default address received;</p> <p>0: SMBus device default address not received.</p>	0

4	GENCALL	RO	General call address flag. It can be cleared by hardware when a Stop/Start bit is generated or when PE=0. 1: When ENGC=1, general call address received; 0: General call address not received.	0
3	Reserved	RO	Reserved.	0
2	TRA	RO	Transmission/reception flag. It can be cleared by hardware when a Stop condition is detected (STOPF=1) or repeated Start condition is detected or an arbitration lost is detected (ARLO=1) or when PE=0. 1: Data transmitted; 0: Data received. This bit is determined by the R/W bit of the address byte.	0
1	BUSY	RO	Bus busy flag. It can be cleared when a Stop condition is detected. When the interface is disabled (PE=0), the information is still updated. 1: Busy bus: SDA or SCL LOW; 0: Idle bus, and no communication.	0
0	MSL	RO	Master/slave mode indication. It can be cleared by hardware when the interface is in Master mode (SB=1). It can be cleared by hardware when the bus detects a Stop bit or an arbitration lost or when PE=0.	0

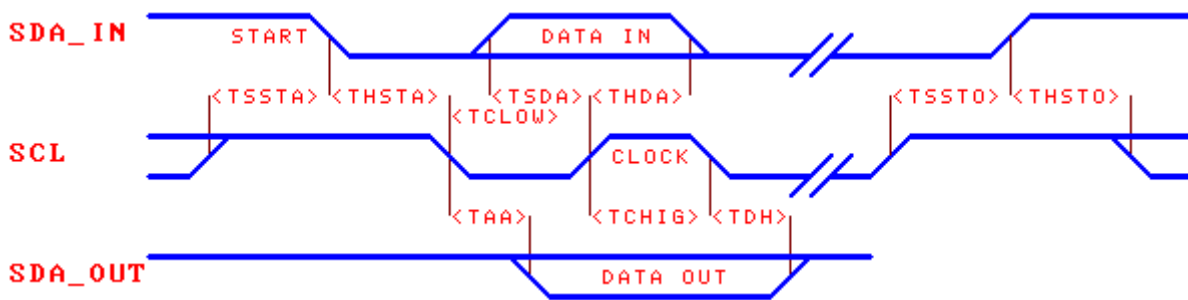
## I2C Clock Register (I2C\_CKCFGR)

Bit	Name	Access	Description	Reset value
15	F/S	RW	Master mode selection: 1: Fast mode; 0: Standard mode.	0
14	DUTY	RW	Clock HIGH duty cycle in fast mode: 1: 36%; 0: 33.3%.	0
[13:12]	Reserved	RO	Reserved.	00b
[11:0]	CCR	RW	Clock frequency division factor register, which decides frequency wave of SCL clock.	000h

## I2C Rise Time Register (I2C\_RTR)

Bit	Name	Access	Description	Reset value
[15:6]	Reserved	RO	Reserved.	0
[5:0]	TRISE	RW	Maximum rise time. These bits set the rise time of SCL in master mode. The maximum rise time=TRISE–single clock cycle. This bit can be set only when PE is cleared.	000010b

## 12.11 I2C Timing



Name	Parameter description (TA=25°C, VIO33=3.3V)	Min.	Typ.	Max.	Unit
TSSTA	Setup time of SCL HIGH before SDA falling edge	0.4			uS
THSTA	Hold time of SCL HIGH after SDA falling edge	0.4			uS
TSDA	Setup time of SDA data before SCL rising edge	0.05			uS
THDA	Hold time of SDA data after SCL rising edge	>TCHIG			uS
TSSTO	Setup time of SCL HIGH before SDA rising edge	0.4			uS
THSTO	Hold time of SCL HIGH after SDA rising edge	0.8			uS
TCLOW	Time of SCL clock LOW	0.6			uS
TCHIG	Time of SCL clock HIGH	0.5			uS
TAA	SCL falling edge to SDA output valid	0.006		0.4	uS
TDH	SDA output hold time after SCL falling edge	0.006			uS
TR	SCL/SDA input rising edge time			0.2	uS

## Chapter 13 Segment LCD

### 13.1 Introduction to LCD

CH592 provides segment LCD controller interface, which can support 80 dots (20\*4) LCD panel. It supports 3.3V and 2.5V drive voltage, adjustable scan frequency, 1/2duty, 1/3duty, 1/4duty and 1/3bias, 1/2bias specification LCD.

### 13.2 Register Description

Table 13-1 LCD registers

Name	Access address	Description	Reset value
R32_LCD_CMD	0x40006000	LCD command register	0x00000000
R32_LCD_RAM0	0x40006004	LCD RAM0 register	0x00000000
R32_LCD_RAM1	0x40006008	LCD RAM0 register	0x00000000
R32_LCD_RAM2	0x4000600C	LCD RAM0 register	0x00000000

LCD Command Register (R32\_LCD\_CMD)

Bit	Name	Access	Description	Reset value
[31:28]	Reserved	RO	Reserved	0h
[27:24]	LCD_SEG_EN	RW	SEG16-SEG19 segment enable.	0h
[23:16]	LCD_SEG_EN	RW	SEG8-SEG15 segment enable.	00h
[15:8]	LCD_SEG_EN	RW	SEG0-SEG7 segment enable.	00h
7	VLCD_SEL	RW	LCD drive voltage selection: 0: 3.3V; 1: 2.5V.	0
[6:5]	SCAN_CLK_SEL	RW	Scan clock selection: 00: 256Hz; 01: 512Hz; 10: 1KHz; 11: 128Hz.	00b
[4:3]	LCD_DUTY	RW	LCD duty cycle selection: 00: 1/2; 01: 1/3; 10: 1/4; 11: invalid.	00b
2	LCD_BIAS	RW	Bias ratio selection: 0: 1/2; 1: 1/3.	0
1	LCD_ON	RW	LCD switch: 1: Enable; 0: Disable.	0
0	SYS_EN	RW	System enable: 1: Enable; 0: Disable.	0



## LCD RAM0 Register (R32\_LCD\_RAM0)

Bit	Name	Access	Description	Reset value
[31:0]	LCD_SEGX(X=0-7)	RW	Data in SEG0-SEG7 segments, 4 bits per segment.	00000000h

## LCD RAM1 Register (R32\_LCD\_RAM1)

Bit	Name	Access	Description	Reset value
[31:0]	LCD_SEGX(X=8-15)	RW	Data in SEG8-SEG15 segments, 4 bits per segment.	00000000h

## LCD RAM2 Register (R32\_LCD\_RAM2)

Bit	Name	Access	Description	Reset value
[31:0]	LCD_SEGX(X=16-19)	RW	Data in SEG16-SEG19 segments, 4 bits per segment.	00000000h

### 13.3 Segment LCD Configuration

- (1) Select and turn on the 32KHz clock source;
- (2) Set the LCD driver pin to be used as floating input, mandatory, set the bit corresponding to R32\_PIN\_CONFIG2. Note that the external reset RST multiplexes the LCD driver pin SEG2, and if SEG2 is to be used, the external reset function should be cancelled;
- (3) Load the segment data to be displayed into the LCD data register R32\_LCD\_RAM0/1/2;
- (4) Configure R32\_LCD\_CMD, set parameters such as drive voltage, scan frequency, bias, duty, etc., and set LCD\_ON and SYS\_EN to turn on segment LCD driver;
- (5) You can update the data in the LCD data register at any time to change the display content.

## Chapter 14 Independent Watchdog (IWDG)

### 14.1 Introduction to IWDG

Independent watchdog (IWDG) is driven by a dedicated internal low-speed clock (LSI).

### 14.2 Register Description

Table 14-1 IWDG registers

Name	Access address	Description	Reset value
R32_IWDG_KR	0x40001000	IWDG key register	0xFFFFFFFF
R32_IWDG_CFG	0x40001004	IWDG configuration register	0x4FFFh

#### IWDG Key Register (R32\_IWDG\_KR)

Bit	Name	Access	Description	Reset value
[31:16]	Reserved	WO	Reserved	XXXXh
[15:0]	IWDG_KR	WO	<p>KEY[15:0]: key value (write register only, read out value is 0x0000)</p> <p>The software must write 0xAAAA at certain intervals to reload the count value, otherwise, when the counter is 0, the watchdog will generate a reset, and writing 0x5555 indicates that the protection is lifted.</p> <p>Write 0xCCCC to start the watchdog work (if the hardware watchdog is selected, it is not restricted by this command word)</p>	XXXXh

#### IWDG Configuration Register (R32\_IWDG\_CFG)

Bit	Name	Access	Description	Reset value
31	IWDG_EN	RO	Watchdog start switch: 1: on; 0: off.	0
30	WR_PROTECT	RO	<p>Write protection:</p> <p>1: Prohibit the operation of the corresponding field;</p> <p>0: Unprotected.</p>	1
29	STOP_EN	RW	<p>Watchdog stop enable (write protection exists)</p> <p>0: Turn off the stop switch;</p> <p>1: Turn on the stop switch.</p>	0
28	Reserved	RO	Reserved	0
[27:16]	COUNT	RO	Watchdog decrement counter	FFFh
15	PVU	RO	<p>Configuration register update flag bit (write protection exists)</p> <p>1: Register is updated;</p>	X

			0: Register is not updated.	
[14:12]	PR	RW	<p>Prescaling factor (write protection exists)</p> <p>000: Divided by 4;  001: Divided by 8;  010: Divided by 16;  011: Divided by 32;  100: Divided by 64;  101: Divided by 128;  110: Divided by 256;  111: Divided by 512.</p>	000b
[11:0]	RLR	RW	<p>RL[11:0]: Watchdog counter reload (with write protection)</p> <p>Used to define the reload value of the watchdog counter. Whenever 0xAAAA is written to the IWDG_KR register, the reload value is transferred to the counter. The counter then counts decrementally from this value. The watchdog timeout period can be calculated from this reload value and the clock prescaler value.</p>	FFFh



## Chapter 15 Analog-to-digital Converter (ADC)

### 15.1 Introduction to ADC

The chip provides a 12-bit successive approximation analog to digital converter (ADC) and up to 14 channels, supports channel scanning function. CH592 supports 12 external signal sources and 2 internal signal sources. CH591 supports 6 external signal sources and 2 internal signal sources.

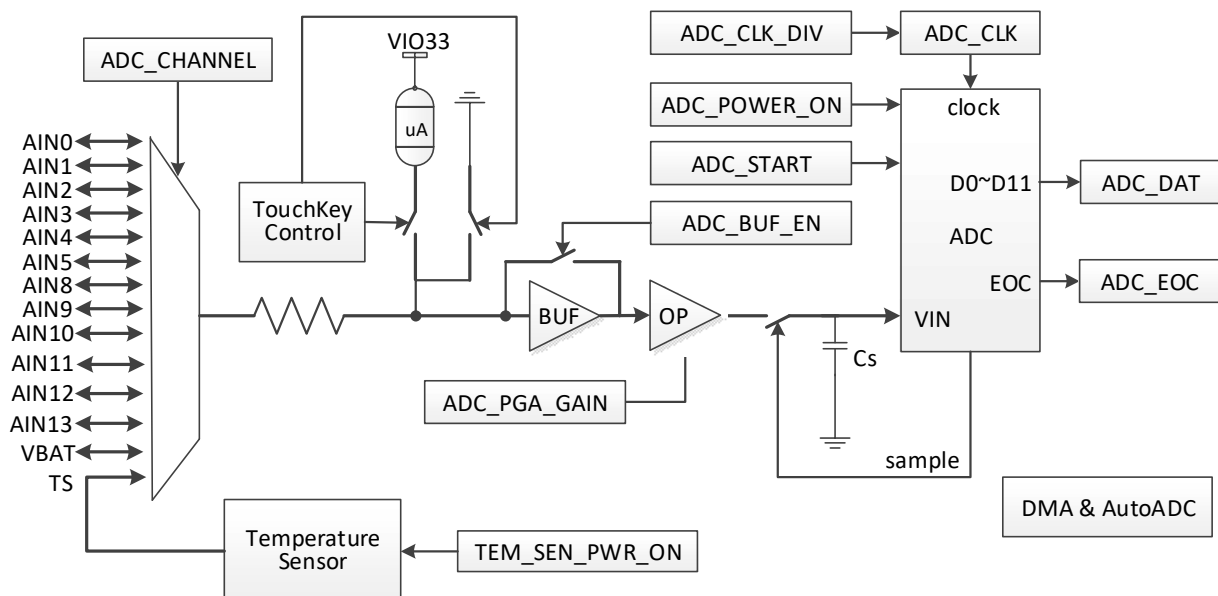
#### 15.1.1 Main Features

- 12-bit resolution.
- 12 external voltage sampling channels, internal temperature detection channels and internal battery voltage detection channels.
- Single-ended input mode and differential input mode detection.
- Optional sampling clock frequency.
- ADC input voltage range: 0V~VIO33.
- Optional PGA: provide gain adjustment options.
- Optional input buffer BUF: support high resistance signal source.
- CH592 supports DMA and automatic continuous ADC sampling in timing interval, with adjustable interval, while CH591 does not support.
- CH592 supports the channel scanning function, which allows you to configure the order of scanning, the number of channels to be scanned, and provides an end-of-scan interrupt.

#### 15.1.2 Functional Description

The figure below is the block diagram of an ADC module.

Figure 15-1 Architecture diagram of ADC



## 15.2 Register Description

Table 15-1 ADC registers

Name	Access address	Description	Reset value
R8_ADC_CHANNEL	0x40001058	ADC input channel select register	0x0F
R8_ADC_CFG	0x40001059	ADC configuration register	0xA0
R8_ADC_CONVERT	0x4000105A	ADC conversion control register	0x00
R8_TEM_SENSOR	0x4000105B	Temperature sensor control register	0x00
R16_ADC_DATA	0x4000105C	ADC data register	0x0XXX
R8_ADC_INT_FLAG	0x4000105E	ADC interrupt flag register	0x00
R32_ADC_DMA_CTRL	0x40001060	DMA control and status register	0x00
R8_ADC_CTRL_DMA	0x40001061	DMA and interrupt control register	0x00
R8_ADC_DMA_IF	0x40001062	ADC and DMA interrupt flag register	0x00
R8_ADC_AUTO_CYCLE	0x40001063	Continuous ADC timing cycle register	0xXX
R16_ADC_DMA_NOW	0x40001064	Current buffer address of DMA register	0x0000XXXX
R16_ADC_DMA_BEG	0x40001068	Start buffer address of DMA	0x0000XXXX
R16_ADC_DMA_END	0x4000106C	End buffer address of DMA	0x0000XXXX
R32_ADC_SCAN_CFG1	0x40001070	Scan configuration register 1	0xFFFFFFFF
R32_ADC_SCAN_CFG2	0x40001074	Scan configuration register 2	0x00000FFF

ADC Input Channel Select Register (R8\_ADC\_CHANNEL)

Bit	Name	Access	Description	Reset value
[7:4]	Reserved	RO	Reserved	0000b
[3:0]	RB_ADC_CH_INX	RW	ADC channel index number, a total of 14 channels: 00h-0Dh: External signal channels AIN0~AIN13; 0Eh: Battery voltage VBAT; 0Fh: Built-in temperature sensor TS. CH591 only supports AIN0 ~ AIN5, VBAT and TS.	1111b

ADC Configuration Register (R8\_ADC\_CFG)

Bit	Name	Access	Description	Reset value
[7:6]	RB_ADC_CLK_DIV	RW	ADC clock frequency selection: 00: CK32M divided by 10, 3.2MHz; 01: CK32M divided by 4, 8MHz; 10: CK32M divided by 6, 5.33MHz; 11: CK32M divided by 8, 4MHz; The actual sampling rate is approximately 1/18 of the clock frequency.	10b
[5:4]	RB_ADC_PGA_GAIN	RW	ADC input PGA gain selection: When RB_ADC_PGA_GAIN[2]=0 00: -12dB, 1/4; 01: -6dB, 1/2; 10: 0dB, 1 time, no gain;	10b

			11: 6dB, 2 times. When RB_ADC_PGA_GAIN[2]=1 00: 6dB, 2 times; 01: 12dB, 4 times; 10: 18dB, 8 times; 11: 24dB, 16 times.	
3	RB_ADC_OFS_TEST	RW	ADC offset error test mode: 1: Test/calibrate mode. The lower 12-bit data of data register R16_ADC_DATA will be inverted bit by bit in test mode (0x0573 is inverted to 0x0A8C); 0: Normal mode.	0
2	RB_ADC_DIFF_EN	RW	ADC channel signal input mode: 1: Differential input; 0: Single-ended input.	0
1	RB_ADC_BUF_EN	RW	ADC input buffer BUF enable: 1: Enable; 0: Disable.	0
0	RB_ADC_POWER_ON	RW	ADC module power enable: 1: Enable; 0: Disable.	0

The PGA gain calculation formula explains:  $\Delta V * A + V_{ref} = 2 * V_{ref} * ADC / 4096$ .

$\Delta V$ : Voltage input to the ADC module.

In single-ended mode  $\Delta V = (V_{IN} - V_{ref})$ , where  $V_{IN}$  is the voltage under test.

In differential mode  $\Delta V = (V_{INp} - V_{INn})$ , where  $V_{INp}$  and  $V_{INn}$  are the two voltages of the differential input.

The ADC module input voltage parameter is  $V * A$ , which needs to satisfy:  $-V_{ref} \leq V * A \leq +V_{ref}$ .

A: Gain factor, refer to Table 15-2 and Table 15-3 "PGA Gain Selection".

ADC: The digital quantity after ADC conversion, i.e. R16\_ADC\_DATA.

$V_{ref}$ : The actual voltage value of the power node VINTA of the internal analog circuit is usually  $1.05V \pm 0.015V$ .

Table 15-2 Table of PGA gain selection and input voltage range (Single-ended input mode)

PGA gain selection	The sampled voltage, $V_i$ , calculated from the data converted by ADC	Upper limit of theoretically measurable voltage	Theoretically measurable voltage range (assuming $V_{ref}=1.05V$ )	Recommended range of actually available voltage
-12dB(1/4)	$(ADC/512-3)*V_{ref}$	$5*V_{ref}$	-0.2V ~ VIO33+0.2V	2.9V ~ VIO33
-6dB(1/2)	$(ADC/1024-1)*V_{ref}$	$3*V_{ref}$	-0.2V ~ 3.15V	1.9V ~ 3V
0dB(1)	$(ADC/2048)*V_{ref}$	$2*V_{ref}$	0V ~ 2.1V	0V ~ 2V
6dB(2)	$(ADC/4096+0.5)*V_{ref}$	$1.5*V_{ref}$	0.525V ~ 1.575V	0.6V ~ 1.5V
12dB(4)	$(ADC/8192+0.75)*V_{ref}$	$1.25*V_{ref}$	0.788V~1.31V	0.8V~1.28V
18dB(8)	$(ADC/16384+0.875)*V_{ref}$	$1.125*V_{ref}$	0.919V~1.18V	0.93V~1.15V
24dB(16)	$(ADC/32768+0.9375)*V_{ref}$	$1.0625*V_{ref}$	0.984V~1.1156V	0.99V~1.11V

Table 15-3 PGA gain selection and input voltage range table (differential input mode ( $V_{INn}=0V$ ,  $V_{INp} \geq 0V$  for example))

PGA gain selection	$V_{INn}$	The sampled voltage, $V_{INp}$ calculated from the	Upper limit of theoretically measurable voltage	Theoretically measurable voltage range	Recommended range of actually available voltage
--------------------	-----------	--	---	--	---

		data converted by ADC	measurable voltage	range (assuming Vref=1.05V)	available voltage
-12dB(1/4X)	0V	(ADC/512-4)*Vref	4*Vref	0V~VIO33+0.2V	0V~VIO33
-6dB(1/2X)	0V	(ADC/1024-2)*Vref	2*Vref	0V~2.1V	0V~2V
0dB(1X)	0V	(ADC/2048-1)*Vref	1*Vref	0V~1.05V	0V~1V
6dB(2X)	0V	(ADC/4096-0.5)*Vref	0.5*Vref	0V~0.525V	0V~0.5V
12dB(4X)	0V	(ADC/8192-0.25)*Vref	0.25*Vref	0V~0.26V	0V~0.23V
18dB(8X)	0V	(ADC/16384-0.125)*Vref	0.125*Vref	0V~0.13V	0V~0.1V
24dB(16X)	0V	(ADC/32768-0.0625)*Vref	0.0625*Vref	0V~0.0656V	0V~0.06V

High gain mode is recommended in the application of differential mode, easy to adjust the bias voltage, such as: Table 15-3 above, you can choose VINn connected to GND, VINp connected to the measured signal.

Note: If a low voltage is sampled after a negative gain (signal reduction), a large error may be caused in a voltage range. If a high voltage is sampled after a positive gain (signal amplification), ADC conversion value may overflow, so it is recommended to select a reasonable gain mode according to the voltage range of the measured signal.

It is recommended to enable the input buffer by default. Only when the internal resistance of the external signal source is less than 1KΩ, the input buffer can be turned off for ADC.

When using differential input, it is recommended to turn off the input buffer. When used for TouchKey detection, the input buffer must be enabled, and it is recommended to select one of 2 gains of 0dB (priority) or -6dB.

#### ADC Conversion Control Register (R8\_ADC\_CONVERT)

Bit	Name	Access	Description	Reset value
[7:2]	Reserved	RO	Reserved	000000b
1	RB_ADC_PGA_GAIN[2]	RW	ADC's input PGA gain direction selection, combined with RB_ADC_PGA_GAIN[1:0] is used. <i>Note: This bit must be 0 when using TS, i.e. RB_ADC_PGA_GAIN[2:0]=011b when using TS.</i>	0
0	RB_ADC_START	RW	ADC conversion enable control and status. It is cleared automatically when non-continuous ADC ends or when DMA ends: 1: Start conversion/being converted; 0: Stop conversion.	0

#### Temperature Sensor Control Register (R8\_TEM\_SENSOR)

Bit	Name	Access	Description	Reset value
7	RB_TEM_SEN_PWR_ON	RW	TS temperature sensor power enable control: 1: Enabled; 0: Disable.	0
[6:0]	Reserved	RW	Reserved	0000000b

#### ADC Data Register (R16\_ADC\_DATA)



Bit	Name	Access	Description	Reset value
[15:12]	Reserved	RW	Reserved.	0000b
[11:0]	RB_ADC_DATA	RO	Data after ADC conversion.	XXXh

## ADC Interrupt Flag Register (R8\_ADC\_INT\_FLAG)

Bit	Name	Access	Description	Reset value
7	RB_ADC_IF_EOC	RO	ADC conversion finished flag. This flag can be cleared by writing to register R8_ADC_CONVERT or R8_TKEY_CONVERT.	0
[6:0]	Reserved	RW	Reserved	0000000b

## DMA and Interrupt Control Register (R8\_ADC\_CTRL\_DMA)

Bit	Name	Access	Description	Reset value
7	RB_ADC_AUTO_EN	RW	Automatic continuous ADC sampling enable at timing interval: 1: Enable automatic ADC; 0: Disable automatic ADC.	0
6	RB_ADC_CONT_EN	RW	ADC continuous conversion mode enable: 1: Enable continuous ADC; 0: Disable continuous ADC.	0
5	Reserved	RO	Reserved	0
4	RB_ADC_IE_EOC	RW	ADC conversion completion interrupt enable: 1: Enable interrupt; 0: Disable interrupt.	0
3	RB_ADC_IE_DMA_END	RW	DMA end interrupt enable: 1: Enable interrupt; 0: Disable interrupt.	0
2	RB_ADC_DMA_LOOP	RW	DMA address loop enable: 1: Enable address loop; 0: Disable address loop. If the DMA address loop is enabled, when the DMA address is added to the set end address, it will automatically loop to the start address that is set.	0
1	Reserved	RO	Reserved	0
0	RB_ADC_DMA_ENABLE	RW	DMA function enable: 1: Enable DMA; 0: Disable DMA.	0

## ADC and DMA Interrupt Flag Register (R8\_ADC\_DMA\_IF)

Bit	Name	Access	Description	Reset value
[7:5]	Reserved	RO	Reserved	000b
4	RB_ADC_IF_END_ADC	RW1	ADC conversion completion interrupt flag, write 1 to clear or when data is taken by DMA or write to register R8_ADC_CONVERT to	0

			clear this flag: 1: ADC has been completed once; 0: Not completed.	
3	RB_ADC_IF_DMA_END	RW1	DMA completion flag. Write 1 to reset: 1: DMA has been completed; 0: Not completed.	0
[2:0]	Reserved	RO	Reserved	000b

## Continuous ADC Timing Cycle Register (R8\_ADC\_AUTO\_CYCLE)

Bit	Name	Access	Description	Reset value
[7:0]	R8_ADC_AUTO_CYCLE	RW	The starting value of continuous ADC timing cycle is counted in unit of 16 system clocks and reloaded after reaching 256. Calculation: timing $= (256 - R8\_ADC\_AUTO\_CYCLE) * 16 * T_{sys}$ Counts in units of 32MHz clock at the start value of continuous TKEY timing cycles. Calculation method: Timing = $R8\_ADC\_AUTO\_CYCLE * T_{CK32M}$ .	XXh

## DMA Current Buffer Address (R16\_ADC\_DMA\_NOW)

Bit	Name	Access	Description	Reset value
15	Reserved	RO	Reserved	0
[14:1]	R16_ADC_DMA_NOW	RO	Current address of DMA data buffer. It can be used to calculate the number of conversions. Calculation: $COUNT = (ADC\_DMA\_NOW - ADC\_DMA\_BEG) / 2$ .	XXXXh
0	Reserved	RO	Reserved	0

## DMA Start Buffer Address (R16\_ADC\_DMA\_BEG)

Bit	Name	Access	Description	Reset value
15	Reserved	RO	Reserved	0
[14:1]	R16_ADC_DMA_BEG	RW	DMA data buffer start address, the address must be 2-byte aligned.	XXXXh
0	Reserved	RO	Reserved	0

## DMA End Buffer Address (R16\_ADC\_DMA\_END)

Bit	Name	Access	Description	Reset value
15	Reserved	RO	Reserved	0
[14:1]	R16_ADC_DMA_END	RW	DMA data buffer end address (not included), address must be 2-byte aligned.	XXXXh
0	Reserved	RO	Reserved	0

Scan Configuration Register 1 (R32\_ADC\_SCAN\_CFG1)

Bit	Name	Access	Description	Reset value
[31:28]	RB_ADC_SCAN_CH8	RW	Channel 8 analog input channel select bit: 0000: AIN0 0001: AIN1 0010: AIN2 0011: AIN3 0100: AIN4 0101: AIN5 0110: Reserved 0111: Reserved 1000: AIN8 1001: AIN9 1010: AIN10 1011: AIN11 1100: AIN12 1101: AIN13 1110: Battery voltage VBAT 1111: Built-in temperature sensor TS	1111b
[27:24]	RB_ADC_SCAN_CH7	RW	Channel 7 analog input channel select bit: As above	1111b
[23:20]	RB_ADC_SCAN_CH6	RW	Channel 6 analog input channel select bit: As above	1111b
[19:16]	RB_ADC_SCAN_CH5	RW	Channel 5 analog input channel select bit: As above	1111b
[15:12]	RB_ADC_SCAN_CH4	RW	Channel 4 analog input channel select bit: As above	1111b
[11:8]	RB_ADC_SCAN_CH3	RW	Channel 3 analog input channel select bit: As above	1111b
[7:4]	RB_ADC_SCAN_CH2	RW	Channel 2 analog input channel select bit: As above	1111b
[3:0]	RB_ADC_SCAN_CH1	RW	Channel 1 analog input channel select bit: As above	1111b

Scan Configuration Register 2 (R32\_ADC\_SCAN\_CFG2)

Bit	Name	Access	Description	Reset value
[31:25]	Reserved	RO	Reserved	0000000b
24	RB_ADC_IF_SCAN_END	RW	Scan end flag, 1 indicates the end of the scan. Writing 1 to this bit clears it, writing 0 has no effect.	0
[23:22]	Reserved	RO	Reserved	00b
21	RB_ADC_IE_SCAN_E	RW	End-of-scan interrupt enable:	0

	ND		0: off 1: On	
20	RB_ADC_SCAN_SEL	RW	Scan function selection: 0: TKEY 1: ADC	0
[19:16]	RB_ADC_SCAN_QUAN	RW	Numbers of scan channels	0000b
[15:12]	Reserved	RO	Reserved	0000b
[11:8]	RB_ADC_SCAN_CH11	RW	Channel 11 analog input channel select bit: 0000: AIN0 0001: AIN1 0010: AIN2 0011: AIN3 0100: AIN4 0101: AIN5 0110: Reserved 0111: Reserved 1000: AIN8 1001: AIN9 1010: AIN10 1011: AIN11 1100: AIN12 1101: AIN13 1110: Battery voltage VBAT 1111: Built-in temperature sensor TS	1111b
[7:4]	RB_ADC_SCAN_CH10	RW	Channel 10 analog input channel select bit: As above	1111b
[3:0]	RB_ADC_SCAN_CH9	RW	Channel 9 analog input channel select bit: As above	1111b

## 15.3 ADC Configuration

### 15.3.1 External Channel Sampling

- (1) Set RB\_ADC\_POWER\_ON in R8\_ADC\_CFG to 1 to enable ADC, select the sampling frequency through RB\_ADC\_CLK\_DIV, and enable the input buffer and select signal gain through RB\_ADC\_BUF\_EN and RB\_ADC\_PGA\_GAIN;
- (2) Set R8\_ADC\_CHANNEL register, and select external or internal signal channel;
- (3) Set the R8\_ADC\_CONVERT register, set RB\_ADC\_START, and enable ADC conversion;
- (4) Query and wait for RB\_ADC\_START to be automatically cleared or wait for RB\_ADC\_IF\_EOC to be set to 1, indicating that the conversion is completed. 12-bit ADC conversion data can be obtained by reading R16\_ADC\_DATA. If time is enough, it is recommended to convert again and discard the ADC data obtained first;
- (5) Repeat steps 2, 3 and 4 to continue to sample another channel or the next set of data;
- (6) Single ADC conversion cycle: ADC sampling (4 clocks) + switching 1 clock + conversion time (12 clocks)  $\approx$  17 Tadc, and 1 time interval is added for continuous ADC. Among them, Tadc = Tsys @ RB\_ADC\_CLK\_DIV;
- (7) If differential input is used:

Enable differential, select 0# channel: it actually performs differential conversion on the voltage of AIN0 (positive end) and AIN2 (negative end);

Enable differential, select 1# channel: it actually performs differential conversion on the voltage of AIN1 (positive end) and AIN3 (negative end);

As a result of ADC conversion, if the data is greater than 0x800, it means that the voltage of the differential positive end is higher than the voltage of the differential negative end. If the data is less than 0x800, it means the voltage of the differential positive end is lower than the voltage of the differential negative end. Taking the PGA gain selection of 0dB as an example, the theoretically measurable voltage ranges from -1.05V to 1.05V, and 0x400 means that the voltage of the differential positive end is lower than the voltage of the differential negative end by about 0.5 Vref.

### 15.3.2 Temperature Sensor Sampling

- (1) Set the RB\_TEM\_SEN\_PWR\_ON in R8\_TEM\_SENSOR register to 1 to enable the temperature sensor, set R8\_ADC\_CHANNEL to 15, and select the temperature sensor signal and connect to ADC input;
- (2) Set RB\_ADC\_POWER\_ON to 1 to enable ADC, set RB\_ADC\_DIFF\_EN to 1, set RB\_ADC\_CLK\_DIV, set RB\_ADC\_BUF\_EN to 0, and set RB\_ADC\_PGA\_GAIN to 011b;
- (3) Set R8\_ADC\_CONVERT register, set RB\_ADC\_START to 1, and enable ADC conversion;
- (4) Query and wait for RB\_ADC\_START to be automatically cleared or wait for RB\_ADC\_IF\_EOC to be set to 1, read R16\_ADC\_DATA to obtain 12-bit ADC conversion data. In case of high requirements for accuracy, it is recommended to repeat steps 3 and 4 for several times to calculate the average value of ADC data;
- (5) The temperature value is obtained according to the conversion relationship between voltage and temperature. Please refer to the evaluation board example program for details.

### 15.3.3 Enable DMA Automatic Continuous ADC

- (1) Set ADC parameters and select channels with reference to non-DMA mode;
- (2) Set R8\_ADC\_AUTO\_CYCLE to select continuous ADC cycle;

- (3) Set the R16\_ADC\_DMA\_BEG register as the start address of buffer that stores ADC data, set the R16\_ADC\_DMA\_END register as the end address of buffer that stores ADC data (not included), and set the RB\_ADC\_DMA\_ENABLE in R8\_ADC\_CTRL\_DMA to 1, to enable DMA function;
- (4) Optional step. If it is needed to enable interrupts, set the corresponding interrupt enable register bit. When RB\_ADC\_IE\_EOC=1, the ADC will be triggered by RB\_ADC\_IF\_END\_ADC to complete the interrupt. When RB\_ADC\_IE\_EOC=0 and RB\_ADC\_IE\_DMA\_END=0, the ADC will be triggered by RB\_ADC\_IF\_EOC to complete the interrupt;
- (5) Set RB\_ADC\_AUTO\_EN to 1 to enable automatic continuous ADC;
- (6) RB\_ADC\_IF\_EOC and RB\_ADC\_IF\_END\_ADC is set to 1 after ADC is completed, but RB\_ADC\_IF\_END\_ADC is automatically cleared after the data is taken by DMA, so you can query RB\_ADC\_IF\_EOC to query ADC completion status.

## 15.4 Channel Scan

### 15.4.1 Scan Mode

Scan mode is used to scan a set of analog channels. The analog input channel corresponding to channel 0 in the scan queue is selected by [3:0] of the R32\_ADC\_CTRL register, while the analog input channels corresponding to channels 1 to 11 in the scan queue are configured by the R32\_ADC\_SCAN\_CFG1 and R32\_ADC\_SCAN\_CFG2 registers.

The scan mode can be set by setting the RB\_ADC\_SCAN\_QUAN bit of the R32\_ADC\_SCAN\_CFG2 register. If RB\_ADC\_SCAN\_QUAN is not equal to 0, the input analog channels will be scanned sequentially in the configured order, and the scan mode can be set by setting the RB\_ADC\_SCAN\_SEL bit of the R32\_ADC\_SCAN\_CFG2 register. \_SCAN\_SEL bit of the R32\_ADC\_SCAN\_CFG2 register to select whether TKEY or ADC is scanned.

### 15.4.2 Scan Interrupt

In scan mode, if the RB\_ADC\_IE\_SCAN\_END bit of the R32\_ADC\_SCAN\_CFG2 register is set, the end-of-scan interrupt will be enabled, i.e., the interrupt will be generated at the end of the conversion of the last channel in the scan queue, at which time the RB\_ADC\_IF\_SCAN\_END bit of the R32\_ADC\_SCAN\_CFG2 register will be set to 1 by the hardware (the bit needs to be cleared to 0 by the software) to indicate that the conversion of all channels in the scan queue is finished.

## Chapter 16 Touch-Key

### 16.1 Introduction to Touch-Key

CH592 provides a capacitance detection module, which can be used with the ADC module to realize the detection function of capacitance Touch-Key. There are a total of 12 input channels, and the supported capacitance value of Touch-Key ranges from 10pF to 100pF. The driver shielding output is provided to improve sensitivity.

### 16.2 Register Description

Table 16-1 Touch-Key registers

Name	Access address	Description	Reset value
R8_TKEY_COUNT	0x40001054	TouchKey charge/discharge time register	0xXX
R8_TKEY_CONVERT	0x40001056	TouchKey detection control register	0x00
R8_TKEY_CFG	0x40001057	TouchKey configuration register	0x00

TouchKey Charge/Discharge Time Register (R8\_TKEY\_COUNT)

Bit	Name	Access	Description	Reset value
[7:5]	RB_TKEY_DISCH_CNT	RW	The number of Touch-Key discharge cycles, counting in unit of ADC clock selected by RB_ADC_CLK_DIV. Calculation: discharge time = (RB_TKEY_DISCH_CNT+1)*Tadc.	XXXb
[4:0]	RB_TKEY_CHARG_CNT	RW	The number of Touch-Key charge cycle, counting in unit of ADC clock selected by RB_ADC_CLK_DIV. Calculation: charge time = (RB_TKEY_CHARG_CNT+4)*Tadc.	XXXXXb

TouchKey Detection Control Register (R8\_TKEY\_CONVERT)

Bit	Name	Access	Description	Reset value
[7:1]	Reserved	RO	Reserved	0000000b
0	RB_TKEY_START	RW	TouchKey detection control and status, automatically cleared: 1: Start to detect/being converted; 0: Stop converting.	0

TouchKey Configuration Register (R8\_TKEY\_CFG)

Bit	Name	Access	Description	Reset value
[7:1]	Reserved	RO	Reserved	0
6	RB_TKEY_DMA_EN	RW	TouchKey DMA enable: 1: Enable; 0: Disable.	0
5	RB_TKEY_AUTO_EN	RW	TouchKey auto-trigger enable:	

			1: Enable; 0: Disable.	
4	RB_TKEY_RAND_EN	RW	TouchKey RAND enable: 1: Enable; 0: Disable.	
3	RB_TKEY_PGA_ADJ	RW	Select the operating speed of PGA in ADC: 1: High speed but slightly larger power consumption; 0: Normal speed.	
2	RB_TKEY_DRV_EN	RW	TouchKey driver shielding enable: 1: Enable; 0: Disable.	0
1	RB_TKEY_CURRENT	RO	TouchKey charge current selection: 1: 60% current; 0: Rated current.	0
0	RB_TKEY_PWR_ON	RW	TouchKey module power enable control: 1: Enable; 0: Disable.	0

### 16.3 Touch-Key Configuration

Please refer to and call related subprograms.



## Chapter 17 USB Controller

### 17.1 Introduction to USB controller

The chip is embedded with a USB master-slave controller and transceiver with the following features:

- USB Host function and USB Device function.
- USB2.0 full-speed 12Mbps and low-speed 1.5Mbps.
- USB control transmission, bulk transmission, interrupt transmission, synchronous/real-time transmission.
- Data packets up to 64 bytes, built-in FIFO, support interrupt and DMA.

### 17.2 Register Description

The base address of the USB controller is 0x40008000 and the USB related registers are divided into 3 parts, some of which are multiplexed in host and device mode.

- (1) USB global registers.
- (2) USB device control registers.
- (3) USB host control registers.

#### 17.2.1 Description of Global Registers

Table 17-1 USB registers (those marked in grey are controlled by RB\_UC\_RESET\_SIE reset)

Name	Access address	Description	Reset value
R8_USB_CTRL	0x40008000	USB control register	0x06
R8_USB_INT_EN	0x40008002	USB interrupt enable register	0x00
R8_USB_DEV_AD	0x40008003	USB device address register	0x00
R32_USB_STATUS	0x40008004	USB status register	0xXX20XXXX
R8_USB_MIS_ST	0x40008005	USB miscellaneous status register	0xXX
R8_USB_INT_FG	0x40008006	USB interrupt flag register	0x20
R8_USB_INT_ST	0x40008007	USB interrupt status register	0x3X
R8_USB_RX_LEN	0x40008008	USB receiving length register	0xXX

USB Control Register (R8\_USB\_CTRL)

Bit	Name	Access	Description	Reset value
7	RB_UC_HOST_MODE	RW	USB working mode selection: 1: HOST; 0: DEVICE.	0
6	RB_UC_LOW_SPEED	RW	USB bus signal transmission rate selection: 1: 1.5Mbps; 0: 12Mbps.	0
5	RB_UC_DEV_PU_EN	RW	USB device enable and internal pull-up resistor control in USB device mode. If it is 1, USB device transmission is enabled and the internal pull-up resistor is also enabled. RB_PIN_USB_DP_PU can replace this bit.	0
[5:4]	MASK_UC_SYS_CTRL	RW	See the table below to configure the USB system.	00b

3	RB_UC_INT_BUSY	RW	Auto pause enable before USB transmission completion interrupt flag is not cleared: 1: It will automatically pause before the interrupt flag UIF_TRANSFER is not cleared. In device mode, it will automatically respond to busy NAK. In host mode, it will automatically pause subsequent transmission; 0: Not pause.	0
2	RB_UC_RESET_SIE	RW	Software reset control of USB protocol processor: 1: Force to reset the USB protocol processor (SIE), software is needed to cleared; 0: Not reset.	1
1	RB_UC_CLR_ALL	RW	USB FIFO and interrupt flag clear: 1: Force to empty and clear; 0: Not clear.	1
0	RB_UC_DMA_EN	RW	USB DMA and DMA interrupt control: 1: Enable the DMA function and DMA interrupt; 0: Disable DMA.	0

RB\_UC\_HOST\_MODE and MASK\_UC\_SYS\_CTRL constitute the USB system control combination:

RB_UC_HOST_MODE	MASK_UC_SYS_CTRL	USB system control description
0	00	Disable USB device function and disable the internal pull-up resistor. <i>Note: If RB_PIN_USB_DP_PU=1, the DP pull-up resistor will be enabled by force.</i>
0	01	Enable USB device function and disable the internal pull-up resistor, the external pull-up is needed. <i>Note: If RB_PIN_USB_DP_PU=1, the DP pull-up resistor will be enabled by force.</i>
0	1x	Enable USB device function and enable the internal 1.5K pull-up resistor. The pull-up resistor has priority over the pull-down resistor, and can also be used in GPIO mode.
1	00	USB host mode, in normal working status.
1	01	USB host mode, DP/DM is forced to output SE0 status.
1	10	USB host mode, DP/DM is forced to output J status.
1	11	USB host mode, DP/DM is forced to output K status/wake-up.

USB Interrupt Enable Register (R8\_USB\_INT\_EN)

Bit	Name	Access	Description	Reset value
7	Reserved	RO	Reserved	0
6	RB_UIE_DEV_NAK	RW	In USB device mode, receive NAK interrupt: 1: Enable interrupt; 0: Disable interrupt.	0

5	RB_MOD_1_WIRE	RW	USB single line mode enable: 1: Enable; 0: Disable.	0
4	RB_UIE_FIFO_OV	RW	FIFO overflow interrupt: 1: Enable interrupt; 0: Disable interrupt.	0
3	RB_UIE_HST_SOF	RW	In the USB host mode, SOF timing interrupt: 1: Enable interrupt; 0: Disable interrupt.	0
2	RB_UIE_SUSPEND	RW	USB bus suspend or wake-up event interrupt: 1: Enable interrupt; 0: Disable interrupt.	0
1	RB_UIE_TRANSFER	RW	USB transfer completion interrupt: 1: Enable interrupt; 0: Disable interrupt.	0
0	RB_UIE_DETECT	RW	In USB host mode, USB device connection or disconnection event interrupt: 1: Enable interrupt; 0: Disable interrupt.	0
	RB_UIE_BUS_RST	RW	In USB device mode; USB bus reset event interrupt: 1: Enable interrupt; 0: Disable interrupt.	0

## USB Device Address Register (R8\_USB\_DEV\_AD)

Bit	Name	Access	Description	Reset value
7	RB_UDA_GP_BIT	RW	USB general flag, user-defined.	0
[6:0]	MASK_USB_ADDR	RW	Host mode: address of USB device currently operated; Device mode: the address of the USB itself.	0000000b

## USB Miscellaneous Status Register (R8\_USB\_MIS\_ST)

Bit	Name	Access	Description	Reset value
7	RB_UMS_SOF_PRES	RO	SOF packet indication status in USB host mode: 1: SOF packet will be sent, and it will be automatically delayed if there are other USB data packets; 0: No SOF package is sent.	X
6	RB_UMS_SOF_ACT	RO	SOF packet transmission status in USB host mode: 1: SOF packet is being sent out; 0: The transmission is completed or idle.	X
5	RB_UMS_SIE_FREE	RO	USB protocol processor free status: 1: Free; 0: Busy, USB transmission is in progress.	1
4	RB_UMS_R_FIFO_RDY	RO	USB receiver FIFO data ready status: 1: Receiver FIFO not empty; 0: Receiver FIFO empty.	0
3	RB_UMS_BUS_RESET	RO	USB bus reset status: 1: The current USB bus is at the reset status;	X

			0: The current USB bus is at the non-reset status.	
2	RB_UMS_SUSPEND	RO	USB suspend status: 1: The USB bus is in suspended status, and there is no USB activity for a period of time; 0: USB bus is in non-suspended status.	0
1	RB_UMS_DM_LEVEL	RO	In USB host mode, the level status of the DM pin when the device is just connected to the USB port, used to determine speed: 1: High level/ low-speed; 0: Low level/ full-speed.	0
0	RB_UMS_DEV_ATTACH	RO	USB device connection status of the port in USB host mode: 1: The port has been connected to a USB device; 0: No USB device is connected to the port.	0

## USB Interrupt Flag Register (R8\_USB\_INT\_FG)

Bit	Name	Access	Description	Reset value
7	RB_U_IS_NAK	RO	In USB device mode, NAK acknowledge status: 1: NAK acknowledge during current USB transmission; 0: No NAK acknowledge.	0
6	RB_U_TOG_OK	RO	Current USB transmission DATA0/1 synchronous flag match status: 1: Synchronous; 0: Asynchronous.	0
5	RB_U_SIE_FREE	RO	USB protocol processor idle status: 1: USB idle; 0: Busy, USB transmission is in progress.	1
4	RB_UIF_FIFO_OV	RW	USB FIFO overflow interrupt flag. Write 1 to reset: 1: FIFO overflow trigger; 0: No event.	0
3	RB_UIF_HST_SOF	RW	SOF timing interrupt flag in USB host mode. Write 1 to reset: 1: SOF packet transmission completion trigger; 0: No event.	0
2	RB_UIF_SUSPEND	RW	USB bus suspend or wake-up event interrupt flag. Write 1 to reset: 1: USB suspend event or wake-up event trigger; 0: No event.	0
1	RB_UIF_TRANSFER	RW	USB transmission completion interrupt flag. Write 1 to reset: 1: USB transmission completion trigger; 0: No event.	0
0	RB_UIF_DETECT	RW	In USB host mode, the USB device connection or disconnection event interrupt flag. Write 1 to reset:	0

			1: USB device connection or disconnection trigger is detected; 0: No event.	
	RB_UIF_BUS_RST	RW	USB bus reset event interrupt flag in USB device mode. Write 1 to reset: 1: USB bus reset event trigger; 0: No event.	0

## USB Interrupt Status Register (R8\_USB\_INT\_ST)

Bit	Name	Access	Description	Reset value
7	RB_UIS_SETUP_ACT	RO	In USB device mode, when this bit is 1, 8-byte SETUP request packet has been successfully received. SETUP token does not affect RB_UIS_TOG_OK, MASK_UIS_TOKEN, MASK_UIS_ENDP and R8_USB_RX_LEN.	0
6	RB_UIS_TOG_OK	RO	Current USB transmission DATA0/1 synchronization flag matching status. The same as RB_U_TOG_OK: 1: Synchronous; 0: Asynchronous.	0
[5:4]	MASK_UIS_TOKEN	RO	In device mode, the token PID of the current USB transfer transaction.	11b
[3:0]	MASK_UIS_ENDP	RO	In device mode, the endpoint number of the current USB transfer transaction.	XXXXb
	MASK_UIS_H_RES	RO	In host mode, the response PID identification of the current USB transfer transaction. 0000: the device has no response or timeout; Other values: respond PID.	XXXXb

MASK\_UIS\_TOKEN is used to identify the token PID of the current USB transfer transaction in USB device mode: 00 represents OUT packet; 10 represents IN packet; 11 represents idle; 01 undefined.

When MASK\_UIS\_TOKEN is not idle, and RB\_UIS\_SETUP\_ACT is also 1, it is required to process the former first, and clear RB\_UIF\_TRANSFER once after the former is processed to make the former enter the idle status, and then process the latter, and finally clear RB\_UIF\_TRANSFER again.

MASK\_UIS\_H\_RES is only valid in host mode. In host mode, if the host sends OUT/SETUP token packet, the PID will be the handshake packet ACK/NAK/STALL, or that device has no response/timeout. If the host sends IN token packet, the PID will be the PID of the data packet (DATA0/DATA1) or the handshake packet PID.

## USB Receiving Length Register (R8\_USB\_RX\_LEN)

Bit	Name	Access	Description	Reset value
[7:0]	R8_USB_RX_LEN	RO	The number of data bytes received by the current USB endpoint.	XXh

## 17.2.2 Description of Device Registers

In USB device mode, the chip provides 8 sets of bidirectional endpoints, including endpoint0, endpoint1, endpoint2, endpoint3, endpoint4, endpoint5, endpoint6 and endpoint7. The maximum data packet length of each endpoint is 64 bytes.

Endpoint0 is the default endpoint and supports control transmission. The transmission and reception share a 64-byte data buffer.

Endpoint1, endpoint2 and endpoint3 each includes a transmission endpoint IN and a reception endpoint OUT.

The reception and the transmission each has a separate 64-byte or double 64-byte data buffer, supporting bulk transmission, interrupt transmission, and real-time/synchronous transmission.

Endpoint4, endpoint5, endpoint6 and endpoint7 each includes a transmission endpoint IN and a reception endpoint OUT. The reception and the transmission each has a separate 64-byte data buffer, supporting bulk transmission, interrupt transmission, and real-time/synchronous transmission.

Each set of endpoint has a control register R8\_UEPn\_CTRL and a transmit length register R8\_UEPn\_T\_LEN (n=0/1/2/3/4/5/6/7), used to set the synchronization trigger bit of endpoint, the response to OUT transactions and IN transactions and the length of data to be sent.

As the necessary USB bus pull-up resistor of USB device, it can be set whether to be enabled by software at any time. When RB\_UC\_DEV\_PU\_EN of USB control register R8\_USB\_CTRL is set to 1, the controller will set according to the speed of RB\_UD\_LOW\_SPEED, internally connect the pull-up resistor with the DP/DM pin of the USB bus and enable the USB device function. The above control cannot be used in sleep or power-down mode, but RB\_PIN\_USB\_DP\_PU of R16\_PIN\_ANALOG\_IE can enable the pull-up resistor of DP pin by force without being affected by sleep mode.

When a USB bus reset or USB bus suspend or wake-up event is detected, or when the USB successfully processes data sending or receiving, the USB protocol processor will set corresponding interrupt flag. If the interrupt enabling is switched on, the corresponding interrupt request will also be generated. The application program can directly query or query and analyze the interrupt flag register R8\_USB\_INT\_FG in the USB interrupt service program, and perform corresponding processing according to RB\_UIF\_BUS\_RST and RB\_UIF\_SUSPEND. In addition, if RB\_UIF\_TRANSFER is valid, it is required to continue to analyze the USB interrupt state register R8\_USB\_INT\_ST, and perform the corresponding processing according to the current endpoint number MASK\_UIS\_ENDP and the current transaction token PID identification MASK\_UIS\_TOKEN. If the synchronization trigger bit RB\_UEP\_R\_TOG of OUT transaction of each endpoint is set in advance, RB\_U\_TOG\_OK or RB\_UIS\_TOG\_OK can be used to judge whether the synchronization trigger bit of the data packet received matches the synchronization trigger bit of the endpoint. If the data is synchronous, the data is valid. If the data is not synchronous, the data should be discarded. Every time the USB sending or receiving interrupt is processed, the synchronization trigger bit of corresponding endpoint should be modified correctly to detect whether the data packet sent next time and the data packet received next time are synchronous. In addition, RB\_UEP\_AUTO\_TOG can be set to automatically flip the corresponding synchronization trigger bit after sending or receiving successfully.

The data to be sent by each endpoint is in their own buffer, and the length of the data to be sent is independently set in R8\_UEPn\_T\_LEN. The data received by each endpoint is in their own buffer, but the length of the data received is in the USB length receiving register R8\_USB\_RX\_LEN, and it can be distinguished according to the current endpoint number when USB receives an interrupt.

Table 17-2 USB device registers (those marked in grey are controlled by RB\_UC\_RESET\_SIE reset)

Name	Access address	Description	Reset value
R8_UDEV_CTRL	0x40008001	USB device physical port control register	0xX0
R8_UEP4_1_MOD	0x4000800c	Endpoint 1/4 mode control register	0x00
R8_UEP2_3_MOD	0x4000800d	Endpoint 2/3 mode control register	0x00
R8_UEP567_MOD	0x4000800e	Endpoint 5/6/7 mode control register	0x00
R16_UEP0_DMA	0x40008010	Start address of endpoint0 buffer	0xXXXX
R16_UEP1_DMA	0x40008014	Start address of endpoint1 buffer	0xXXXX
R16_UEP2_DMA	0x40008018	Start address of endpoint2 buffer	0xXXXX
R16_UEP3_DMA	0x4000801c	Start address of endpoint3 buffer	0xXXXX
R8_UEP0_T_LEN	0x40008020	Endpoint0 transmission length register	0xXX
R8_UEP0_CTRL	0x40008022	Endpoint0 control register	0x00
R8_UEP1_T_LEN	0x40008024	Endpoint1 transmission length register	0xXX
R8_UEP1_CTRL	0x40008026	Endpoint1 control register	0x00
R8_UEP2_T_LEN	0x40008028	Endpoint2 transmission length register	0xXX
R8_UEP2_CTRL	0x4000802a	Endpoint2 control register	0x00
R8_UEP3_T_LEN	0x4000802c	Endpoint3 transmission length register	0xXX
R8_UEP3_CTRL	0x4000802e	Endpoint3 control register	0x00
R8_UEP4_T_LEN	0x40008030	Endpoint4 transmission length register	0xXX
R8_UEP4_CTRL	0x40008032	Endpoint4 control register	0x00
R16_UEP5_DMA	0x40008054	Start address of endpoint5 buffer	0xXXXX
R16_UEP6_DMA	0x40008058	Start address of endpoint6 buffer	0xXXXX
R16_UEP7_DMA	0x4000805c	Start address of endpoint7 buffer	0xXXXX
R8_UEP5_T_LEN	0x40008064	Endpoint5 transmission length register	0xXX
R8_UEP5_CTRL	0x40008066	Endpoint5 control register	0x00
R8_UEP6_T_LEN	0x40008068	Endpoint6 transmission length register	0xXX
R8_UEP6_CTRL	0x4000806a	Endpoint6 control register	0x00
R8_UEP7_T_LEN	0x4000806c	Endpoint7 transmission length register	0xXX
R8_UEP7_CTRL	0x4000806e	Endpoint7 control register	0x00
R32_EPX_MODE	0x40008070	Endpoint8-15 control register	0x00000000

USB Device Physical Port Control Register (R8\_UDEV\_CTRL)

Bit	Name	Access	Description	Reset value
7	RB_UD_PD_DIS	RW	Internal pull-down resistor control of UD+/UD- pin of USB device port: 1: Disable internal pull-down; 0: Enable internal pull-down. It also can be used in GPIO mode to provide pull-down resistor.	1
6	Reserved	RO	Reserved	0
5	RB_UD_DP_PIN	RO	Current UD + pin status: 1: High level; 0: Low level.	X

4	RB_UD_DM_PIN	RO	Current UD- pin status: 1: High level; 0: Low level.	X
3	Reserved	RO	Reserved	0
2	RB_UD_LOW_SPEED	RW	Current UD- pin status: 1: High level; 0: Low level.	0
1	RB_UD_HUB0_RESET	RW	USB HUB0 reset control	0
0	RB_UD_PORT_EN	RW	USB device physical port enable: 1: Enable; 0: Disable.	0

## Endpoint 1/4 Mode Control Register (R8\_UEP4\_1\_MOD)

Bit	Name	Access	Description	Reset value
7	RB_UEP1_RX_EN	RW	1: Enable endpoint 1 reception (OUT); 0: Disable endpoint 1 reception.	0
6	RB_UEP1_TX_EN	RW	1: Enable endpoint 1 transmission (IN); 0: Disable endpoint 1 transmission.	0
5	Reserved	RO	Reserved	0
4	RB_UEP1_BUF_MOD	RW	Endpoint 1 data buffer mode control bit.	0
3	RB_UEP4_RX_EN	RW	1: Enable endpoint 4 reception (OUT); 0: Disable endpoint 4 reception.	0
2	RB_UEP4_TX_EN	RW	1: Enable endpoint 4 transmission (IN); 0: Disable endpoint 4 transmission.	0
[1:0]	Reserved	RO	Reserved	00b

The data buffer modes of USB endpoint0 and endpoint4 are configured by a combination of bUEP4\_RX\_EN and bUEP4\_TX\_EN. Refer to the following table for details:

Table 17-3 Endpoint0/4 buffer modes

bUEP4_RX_EN	bUEP4_TX_EN	Description: arrange from low to high with UEP0 DMA as the start address
0	0	Endpoint0 single 64-byte transmit/receive shared buffers (IN and OUT).
1	0	Endpoint0 single 64-byte transmit/receive shared buffers; endpoint4 single 64-byte reception buffers (OUT).
0	1	Endpoint0 single 64-byte transmit/receive shared buffers; endpoint4 single 64-byte transmission buffers (IN).
1	1	Endpoint0 single 64-byte transmit/receive shared buffers; endpoint4 single 64-byte reception buffers (OUT); Endpoint4 single 64-byte receive buffer (IN). All 192 bytes are arranged as follows: UEP0_DMA+0 address: 64-byte start address of endpoint0 transmit/receive shared buffer; UEP0_DMA+64 address: 64-byte start address of endpoint4 receive buffer; UEP0_DMA+128 address: 64-byte start address of endpoint4 transmit buffer.



## Endpoint 2/3 Mode Control Register (R8\_UEP2\_3\_MOD)

Bit	Name	Access	Description	Reset value
7	RB_UEP3_RX_EN	RW	1: Enable endpoint 3 reception (OUT); 0: Disable endpoint 3 reception.	0
6	RB_UEP3_TX_EN	RW	1: Enable endpoint 3 transmission (IN); 0: Disable endpoint 3 transmission.	0
5	Reserved	RO	Reserved	0
4	RB_UEP3_BUF_MOD	RW	Endpoint 3 data buffer mode control bit.	0
3	RB_UEP2_RX_EN	RW	1: Enable endpoint 2 reception (OUT); 0: Disable endpoint 2 reception.	0
2	RB_UEP2_TX_EN	RW	1: Enable endpoint 2 transmission (IN); 0: Disable endpoint 2 transmission.	0
1	Reserved	RO	Reserved	0
0	RB_UEP2_BUF_MOD	RW	Endpoint 2 data buffer mode control bit.	0

The data buffer modes of USB endpoint1/2/3 are controlled by a combination of RB\_UEPn\_RX\_EN, RB\_UEPn\_TX\_EN and RB\_UEPn\_BUF\_MOD(n=1/2/3) respectively, refer to the following table for details. Among them, in the double 64-byte buffer mode, the first 64-byte buffer will be selected based on RB\_UEP\*\_TOG=0 and the last 64-byte buffer will be selected based on RB\_UEP\*\_TOG=1 during USB data transmission, and RB\_UEP\_AUTO\_TOG=1 is set to realize automatic switch.

Table 17-4 Endpoint n buffer modes (n=1/2/3)

RB_UEPn_RX_EN	RB_UEPn_TX_EN	RB_UEPn_BUF_MOD	Description: Arrange from low to high with R16_UEPn_DMA as the start address
0	0	X	Endpoint is disabled, and R16_UEPn_DMA buffer is not used.
1	0	0	Single 64-byte receive buffer (OUT).
1	0	1	Double 64-byte receive buffer (OUT), selected by RB_UEP_R_TOG.
0	1	0	Single 64-byte transmit buffer (IN).
0	1	1	Double 64-byte transmit buffer (IN), selected by RB_UEP_T_TOG.
1	1	0	Single 64-byte receive buffer (OUT), single 64-byte transmit buffer (IN).
1	1	1	Double 64-byte receive buffer (OUT), selected by RB_UEP_R_TOG. Double 64-byte transmit buffer (IN), selected by RB_UEP_T_TOG. All 256 bytes are arranged as follows: UEPn_DMA+0 address: endpoint receive address when RB_UEP_R_TOG=0; UEPn_DMA+64 address: endpoint receive address when RB_UEP_R_TOG=1; UEPn_DMA+128 address: endpoint transmit address when RB_UEP_T_TOG=0; UEPn_DMA+192 address: endpoint transmit address when

			RB_UEP_T_TOG=1.
--	--	--	-----------------

## Endpoint 5/6/7 Mode Control Register (R8\_UEP567\_MOD)

Bit	Name	Access	Description	Reset value
[7:6]	Reserved	RO	Reserved	00b
5	RB_UEP7_RX_EN	RW	1: Enable endpoint 7 reception (OUT); 0: Disable endpoint 7 reception.	0
4	RB_UEP7_TX_EN	RW	1: Enable endpoint 7 transmission (IN); 0: Disable endpoint 7 transmission.	0
3	RB_UEP6_RX_EN	RW	1: Enable endpoint 6 reception (OUT); 0: Disable endpoint 6 reception.	0
2	RB_UEP6_TX_EN	RW	1: Enable endpoint 6 transmission (IN); 0: Disable endpoint 6 transmission.	0
1	RB_UEP5_RX_EN	RW	1: Enable endpoint 5 reception (OUT); 0: Disable endpoint 5 reception.	0
0	RB_UEP5_TX_EN	RW	1: Enable endpoint 5 transmission (IN); 0: Disable endpoint 5 transmission.	0

The data buffer modes of USB endpoint5, endpoint6 and endpoint7 are controlled by a combination of RB\_UEPn\_RX\_EN and RB\_UEPn\_TX\_EN (n=5/6/7) respectively, refer to the following table for details.

Table 17-5 Endpoint n buffer modes (n=5/6/7)

RB_UEPn_RX_EN	RB_UEPn_TX_EN	Description: Arrange from low to high with R16_UEPn_DMA as the start address
0	0	Endpoint is disabled, and R16_UEPn_DMA buffer is not used.
1	0	Single 64-byte receive buffer (OUT).
0	1	Single 64-byte transmit buffer (IN).
1	1	Single 64-byte receive buffer (OUT), single 64-byte transmit buffer (IN).

## Endpoint n Buffer Start Address (R16\_UEPn\_DMA) (n=0/1/2/3/5/6/7)

Bit	Name	Access	Description	Reset value
[15:0]	R16_UEPn_DMA	RW	Endpoint n buffer start address. The address must be 4-byte aligned.	XXXXh

Note: The length of the buffer that receives data  $\geq \min(\text{maximum data packet length possibly received} + 2 \text{ bytes}, 64 \text{ bytes})$ .

## Endpoint n Transmission Length Register (R8\_UEPn\_T\_LEN) (n=0/1/2/3/4/5/6/7)

Bit	Name	Access	Description	Reset value
7	Reserved	RO	Reserved	0
[6:0]	R8_UEPn_T_LEN	RW	Set the number of data bytes that USB endpoint n is ready to send.	XXh

## Endpoint 2 Transmission Length Register (R8\_UEPn\_T\_LEN)

Bit	Name	Access	Description	Reset value
7	R8_UEP2_HOST_PID3	RW	Bit 3 of the token identification PID in host mode.	0
[6:0]	R8_UEP2_T_LEN	RW	Set the number of data bytes that USB endpoint n is ready to send.	XXh

Endpoint n Control Register (R8\_UEPn\_CTRL) (n=0/1/2/3/4/5/6/7)

Bit	Name	Access	Description	Reset value
7	RB_UEP_R_TOG	RW	Expected synchronization trigger bit of the receiver (process OUT transactions) of USB endpoint n: 1: Expect DATA1; 0: Expect DATA0.	0
6	RB_UEP_T_TOG	RW	Synchronization trigger bit of the transmitter (process IN transactions) of USB endpoint n 1: Transmit DATA1; 0: Transmit DATA0.	0
5	Reserved	RO	Reserved	0
4	RB_UEP_AUTO_TOG	RW	Synchronization trigger bit auto flip enable control bit: 1: After the data is sent or received successfully, the corresponding synchronization trigger bit is automatically flipped; 0: Not flipped automatically, but can be switched manually. It only supports endpoint 1/2/3/5/6/7.	0
[3:2]	MASK_UEP_R_RES	RW	Control on the response to OUT transactions by the receiver of USB endpoint n: 00: Respond ACK; 01: Timeout/no response, used for real-time/synchronous transmission of non-endpoint 0; 10: Respond to NAK or busy; 11: Respond to STALL or error.	00b
[1:0]	MASK_UEP_T_RES	RW	Control on response to IN transactions of the transmitter of endpoint n: 00: DATA0/DATA1 data is ready and ACK is expected; 01: Respond to DATA0/DATA1 and expect no response, used for real-time/synchronous transmission of non-endpoint 0; 10: Respond to NAK or busy; 11: Respond to STALL or error.	00b

Endpoint n Control Register (R32\_EPX\_MODE) (n=8/9/10/11/12/13/14/15)

Bit	Name	Access	Description	Reset value
[31:24]	Reserved	RO	Reserved	00h
[23:17]	RB_EP_T_AF	RW	1: Enables endpoint 8-15 transmit Alternate; 0: Disable endpoint 8-15 transmit Alternate.	00h
16	Reserved	RO	Reserved	0
[15:8]	RB_EP_R_EN	RW	1: Enables endpoint 8-15 reception (OUT); 0: Disable endpoint 8-15 reception.	00h
[7:0]	RB_EP_T_EN	RW	1: Enables endpoints 8-15 transmit (IN); 0: Disable endpoint 8-15 transmit.	00h

### 17.2.3 Description of Host Registers

In USB host mode, the chip provides 1 set of bidirectional host endpoints, including a transmission endpoint OUT and a reception endpoint IN. The maximum length of data packet is 64 bytes. It supports control transmission, interrupt transmission, bulk transmission and real-time/synchronous transmission.

Each USB transaction initiated by host endpoint always automatically sets the RB\_UIF\_TRANSFER interrupt flag after the processing ends. The application program can directly query or query and analyze the interrupt flag register (R8\_USB\_INT\_FG) in the USB interrupt service program, and perform corresponding processing according to each interrupt flag. In addition, if RB\_UIF\_TRANSFER is valid, it is required to continue to analyze the USB interrupt status register (R8\_USB\_INT\_ST), and perform the corresponding processing according to the response PID identification (MASK\_UIS\_H\_RES) of the current USB transmission transaction.

If the synchronization trigger bit (RB\_UH\_R\_TOG) of IN transaction of host reception endpoint is set in advance, whether the synchronization trigger bit of the data packet received matches the synchronization trigger bit of the endpoint can be judged through RB\_U\_TOG\_OK or RB\_UIS\_TOG\_OK. If the data is synchronous, the data is valid. If the data is not synchronous, the data should be discarded. Each time the USB sending or receiving interrupt is processed, the synchronization trigger bit of corresponding host endpoint should be modified correctly to synchronize the data packet sent next time and detect whether the data packet received next time is synchronous. In addition, RB\_UH\_T\_AUTO\_TOG and RB\_UH\_R\_AUTO\_TOG can be set to automatically flip the corresponding synchronization trigger bit after sending or receiving successfully.

USB host token setting register (R8\_UH\_EP\_PID) is used to set the endpoint number of the target device being operated and the token PID packet identification of the USB transmission transaction. The data corresponding to the SETUP token and OUT token is provided by the host transmission endpoint. The data to be sent is in the R16\_UH\_TX\_DMA buffer, and the length of the data to be sent is set in R16\_UH\_TX\_LEN. The data corresponding to the IN token is returned by the target device to the host reception endpoint, the data received is stored in the R16\_UH\_RX\_DMA buffer, and the length of data received is stored in R8\_USB\_RX\_LEN.

Table 17-6 USB host registers (those marked in grey are controlled by RB\_UC\_RESET\_SIE reset)

Name	Access address	Description	Reset value
R8_UHOST_CTRL	0x40008001	USB host physical port control register	0xX0
R8_UH_EP_MOD	0x4000800d	USB host endpoint mode control register	0x00
R16_UH_RX_DMA	0x40008018	USB host receive buffer start address	0xXXXX
R16_UH_TX_DMA	0x4000801c	USB host transmit buffer start address	0xXXXX

R8_UH_SETUP	0x40008026	USB host auxiliary setting register	0x00
R8_UH_EP_PID	0x40008028	USB host token setting register	0x00
R8_UH_RX_CTRL	0x4000802a	USB host reception endpoint control register	0x00
R8_UH_TX_LEN	0x4000802c	USB host transmission length register	0xXX
R8_UH_TX_CTRL	0x4000802e	USB host transmission endpoint control register	0x00

## USB Host Physical Port Control Register (R8\_UHOST\_CTRL)

Bit	Name	Access	Description	Reset value
7	RB_UH_PD_DIS	RW	Internal pull-down resistor control bit of UD+/UD- pin of USB host port: 1: Disable internal pull-down; 0: Enable internal pull-down. It can be used in GPIO mode to provide pull-down resistor.	1
6	Reserved	RO	Reserved	0
5	RB_UH_DP_PIN	RO	Current UD + pin status: 1: High level; 0: Low level.	X
4	RB_UH_DM_PIN	RO	Current UD- pin status: 1: High level; 0: Low level.	X
3	Reserved	RO	Reserved	0
2	RB_UH_LOW_SPEED	RW	USB host port low-speed mode enable bit: 1: Select 1.5Mbps low-speed mode; 0: Select 12Mbps full-speed mode.	0
1	RB_UH_BUS_RESET	RW	USB host mode bus reset: 1: Output USB bus reset by force; 0: End output.	0
0	RB_UH_PORT_EN	RW	USB host port enable: 1: Enable the host port; 0: Disable the host port. The bit is automatically cleared to 0 when the USB device is disconnected.	0

## USB Host Endpoint Mode Control Register (R8\_UH\_EP\_MOD)

Bit	Name	Access	Description	Reset value
7	Reserved	RO	Reserved	0
6	RB_UH_EP_TX_EN	RW	Host transmission endpoint transmit (SETUP/OUT) enable: 1: Enable endpoint transmission; 0: Disable endpoint transmission.	0
5	Reserved	RO	Reserved	0
4	RB_UH_EP_TBUF_MOD	RW	Host transmission endpoint transmit data buffer mode control.	0

3	RB_UH_EP_RX_EN	RW	Host reception endpoint reception (IN) enable: 1: Enable endpoint reception; 0: Disable endpoint reception.	0
[2:1]	Reserved	RO	Reserved	00b
0	RB_UH_EP_RBUF_MOD	RW	USB host reception endpoint reception data buffer mode control.	0

The host transmission endpoint data buffer modes are controlled by a combination of RB\_UH\_EP\_TX\_EN and RB\_UH\_EP\_TBUF\_MOD, refer to the following table.

Table 17-7 Host transmit buffer modes

RB_UH_EP_TX_EN	RB_UH_EP_TBUF_MOD	Description: Take R16_UH_TX_DMA as start address
0	X	Endpoint is disabled, and R16_UH_TX_DMA buffer is not used.
1	0	Single 64-byte transmit buffer (SETUP/OUT).
1	1	Double 64-byte transmit buffer, selected by RB_UH_T_TOG: When RB_UH_T_TOG=0, select the first 64-byte buffer; When RB_UH_R_TOG=1, select the last 64-byte buffer.

Table 17-8 Host receive buffer modes

RB_UH_EP_RX_EN	RB_UH_EP_RBUF_MOD	Description: Take R16_UH_RX_DMA as start address
0	X	Endpoint is disabled, and the R16_UH_RX_DMA buffer is not used.
1	0	Single 64-byte receive buffer (IN).
1	1	Double 64-byte receive buffer, selected by RB_UH_R_TOG: When RB_UH_R_TOG=0, select the first 64-byte buffer; When RB_UH_R_TOG=1, select the last 64-byte buffer.

## USB Host Receive Buffer Start Address (R16\_UH\_RX\_DMA)

Bit	Name	Access	Description	Reset value
[15:0]	R16_UH_RX_DMA	RW	Host endpoint data receive buffer start address. The lower 15 bits are valid, and the address must be 4 bytes aligned.	XXXXh

## USB Host Transmit Buffer Start Address (R16\_UH\_TX\_DMA)

Bit	Name	Access	Description	Reset value
[15:0]	R16_UH_TX_DMA	RW	Host endpoint data transmit buffer start address. The lower 15 bits are valid, and the address must be 4 bytes aligned.	XXXXh

## USB Host Auxiliary Setting Register (R8\_UH\_SETUP)

Bit	Name	Access	Description	Reset value
7	RB_UH_PRE_PID_EN	RW	Low-speed preamble packet PRE PID enable bit: 1: Enable, used to communicate with low-speed USB device through an external HUB. 0: Disable the low-speed preamble packet.	0
6	RB_UH_SOF_EN	RW	Automatically generate SOF packet enable bit: 1: The host automatically generates SOF packet; 0: The host does not automatically generate SOF packet, but can generate manually.	0
[5:0]	Reserved	RO	Reserved	000000b

## USB Host Token Setting Register (R8\_UH\_EP\_PID)

Bit	Name	Access	Description	Reset value
[7:4]	MASK_UH_TOKEN	RW	Set the token PID packet identification of this USB transmission transaction.	0000b
[3:0]	MASK_UH_ENDP	RW	Set the endpoint number of the target device being operated this time.	0000b

## USB Host Reception Endpoint Control Register (R8\_UH\_RX\_CTRL)

Bit	Name	Access	Description	Reset value
7	RB_UH_R_TOG	RW	Synchronization trigger bit expected by USB host receiver (process IN transaction): 1: Expect DATA1; 0: Expect DATA0.	0
[6:5]	Reserved	RO	Reserved	00b
4	RB_UH_R_AUTO_TOG	RW	Synchronization trigger bit auto toggle enable control bit: 1: After the data is successfully received, the corresponding expected synchronization trigger bit (RB_UH_R_TOG) is automatically toggled; 0: It is not toggled automatically, but can be switched manually.	0
3	Reserved	RO	Reserved	0
2	RB_UH_R_RES	RW	Control on response to IN transactions by host receiver: 1: No response, used for real-time/synchronous transmission of non-endpoint 0; 0: Respond to ACK.	0
[1:0]	Reserved	RO	Reserved	00b

## USB Host Transmission Length Register (R8\_UH\_TX\_LEN)

Bit	Name	Access	Description	Reset value
[7:0]	R8_UH_TX_LEN	RW	Set the number of data bytes that USB host transmission endpoint is ready to send.	XXh

#### USB Host Transmission Endpoint Control Register (R8\_UH\_TX\_CTRL)

Bit	Name	Access	Description	Reset value
7	Reserved	RO	Reserved	0
6	RB_UH_T_TOG	RW	Synchronization trigger bit prepared by USB host transmitter (process SETUP/OUT transactions): 1: Transmit DATA1; 0: Transmit DATA0.	0
5	Reserved	RO	Reserved	0
4	RB_UH_T_AUTO_TOG	RW	Synchronization trigger bit auto toggle enable control bit: 1: The corresponding synchronization trigger bit (RB_UH_T_TOG) is toggled after the data is sent successfully; 0: It is not toggled automatically, but can be switched manually.	0
[3:1]	Reserved	RO	Reserved	000b
0	RB_UH_T_RES	RW	Response control bit of USB host transmitter to SETUP/OUT transaction: 1: Expect no response, used for real-time/synchronous transmission of non-endpoint0; 0: Expect to respond to ACK.	0



# Chapter 18 Reserved

## Chapter 19 Wireless Communication

### 19.1 Introduction

The chip integrates low-power 2.4-GHz wireless communication modules, including RF transceiver, baseband, link control and antenna matching network. Bluetooth Low Energy (BLE) is supported. More than 100 registers are provided internally to adjust parameters, control process and status. This datasheet does not provide a detailed description of registers. The underlying operations of wireless communication mainly provide application support with subroutine libraries.

Main features:

- Integrated with 2.4GHz RF transceiver, BaseBand and LLE link control.
- Support Bluetooth Low Energy (BLE), compatible with Bluetooth Low Energy 5.4 specification.
- Single-ended RF interface and simplified board design.
- 2Mbps, 1Mbps.
- -95dBm RX sensitivity.
- Programmable TX power from -20dBm to +4.5dBm, and dynamic adjustment is supported.
- Support AES encryption/decryption.
- Support DMA.
- Optimized protocol stack and application layer API, and support networking.

### 19.2 LLE Module

LLE module supports automatic sending and receiving mode and manual sending and receiving mode. 5 groups of independent hardware timers can control the time point of sending and receiving data in any one process.

### 19.3 DMA Module

The controller has one group of DMAs, two channels. 2 channels of DMAs are used for transmitting data and receiving data respectively in auto transmit mode, the address of the transmit DMA and the address of the receive DMA can be configured at the same time, so that no further configuration is required during the frame interval.

### 19.4 BB Module

### 19.5 AES Module

Please conduct specific applications based on BLE protocol stack library and refer to the BLE application examples provided.

## Chapter 20 Parameters

### 20.1 Absolute Maximum Ratings

(Critical or exceeding the absolute maximum value will probably cause the chip to work improperly or even be damaged)

Table 20-1 Absolute maximum ratings

Name	Parameter description	Min.	Max.	Unit
TA	Ambient temperature during operation	-40	85	°C
TS	Ambient temperature during storage	-55	125	°C
VDD33	System supply voltage (VDD33 connects to power, GND connects to ground)	-0.4	4.2	V
VIO33	I/O supply voltage (VIO33 connects to power, GND connects to ground)	-0.4	4.2	V
VIO	Voltage on input/output pins	-0.4	VIO33+0.4	V
VIO5	Voltage on input/output pins that support 5V withstand voltage	-0.4	5.5	V
VDCI	Voltage on VDCID/VDCIA pin (if external DC-DC is used)	-0.4	VDD33+0.4	V
VXCK	Voltage on PA10/PA11 after X32MI/X32MO/ enabling LSE	-0.3	1.4	V

### 20.2 Electrical Characteristics

Test conditions: TA=25°C, VDD33=VIO33=3.3V, Fsys=16MHz.

Table 20-2 Electrical characteristics

Name	Parameter description		Min.	Typ.	Max.	Unit
VDD33	System supply voltage @VDD33	CH592, CH591F	1.7	3.3	3.6	V
		CH591D, CH591R	2.3	3.3	3.6	V
VIO33	I/O supply voltage @VIO33	CH592, CH591F	1.7	3.3	3.6	V
		CH591D, CH591R	2.3	3.3	3.6	V
ICC <sub>8</sub>	Straight-through static supply current Condition: codes run in RAM.	Fsys=8M	RAM	1.7		mA
Flash			3.2			
ICC <sub>16</sub>		Fsys=16M	RAM	2.3		mA
			Flash	3.4		
ICC <sub>48</sub>		Fsys=48M	RAM	4.7		mA
			Flash	12.9		
IDDC <sub>8</sub>	Static supply current after DC-DC is enabled Condition: codes run in RAM.	Fsys=8M	RAM	1.1		mA
Flash			2.6			
IDDC <sub>16</sub>		Fsys=16M	RAM	1.3		mA
			Flash	2.7		
IDDC <sub>48</sub>		Fsys=48M	RAM	2.4		mA

		Flash		11.5		
VIL	GPIO low level input voltage		0		0.9	V
VIH	GPIO high level input voltage		2.0		VIO33	V
VIL5	GPIO that supports 5V withstand voltage low level input voltage		0		0.9	V
VIH5	GPIO that supports 5V withstand voltage high level input voltage		2.0		5.0	V
VOL	Output low level voltage (5mA/20mA input current)		0	0.3	0.5	V
VOH	Output high level voltage (5mA/20mA output current)		VIO33-0.5	VIO33-0.3	VIO33	V
IIN	Input current of GPIO floating input		-3	0	3	uA
IUP	Input current of GPIO with built-in pull-up resistor		25	60	90	uA
IDN	Input current of GPIO with built-in pull-down resistor		-90	-60	25	uA
Vref	Voltage on VINTA pin (ADC reference voltage)		1.035	1.05	1.065	V
Vdci	Voltage on VDCID pin after DC-DC is enabled		1.18	1.3	1.38	V
Vlvr	LVR Low-voltage reset threshold	CH592	1.3	1.5	1.7	V
		CH591	1.8	2.05	2.3	V

## 20.3 Power Consumption in Low-power Modes

Test conditions: TA=25°C, VDD33=VIO33=3.3V, Fsys=16MHz.

Table 20-3 Low power parameters (for reference only, related to temperature)

Low-power mode	Min.	Typ.	Max.	Unit
Idle mode, enable the clock combination of each module	1.1		1.3	mA
Halt mode, disable all clocks		180		uA
Sleep mode, multiple combinations, refer to Table 5-3		0.8~2.5		uA
Sleep mode, PMU+core+RAM2K, GPIO wakes up, no RTC		0.7		uA
Shutdown mode, several combinations, refer to Table 5-3		0.3~1.3		uA
Shutdown mode, only PMU, reset after GPIO wakes up, no RTC		0.4		uA

Table 20-4 Current on modules (for reference only, related to temperature)

Name	Parameter description	Min.	Typ.	Max.	Unit
I <sub>DD</sub> (RAM2K)	RAM2K: 2KB SRAM		0.1		uA
I <sub>DD</sub> (RAM8K)	RAM24K: 24KB SRAM		0.7		uA
I <sub>DD</sub> (LSI)	Internal LSI oscillator		0.4		uA
I <sub>DD</sub> (LSE)	External LSE oscillator		0.5		uA
I <sub>DD</sub> (HSE)	External HSE oscillator	130	170	260	uA
I <sub>DD</sub> (BM)	Low-power battery low-voltage monitor module (BM)		1.0		uA
I <sub>DD</sub> (BD)	High-precision battery low-voltage detector		76		uA

		module (BD)						
$I_{DD(PLL)}$			Internal PLL oscillator			130		uA
$I_{DD(ADC)}$			ADC module			0.4		mA
$I_{DD(TKEY)}$			Touch-Key module			0.1		mA
$I_{DD(TS)}$			Temperature sensor module (TS)			0.1		mA
$I_{DD(LCD)}$			LCD module			5.0		uA
$I_{DD(USB)}$	USB module	Not in transmit status			1.2	1.6	2.0	mA
		Transmit status				3		mA
$I_{DD(BLE)}$	BLE	Receiving	Direct power supply			7.1		mA
			Enable DC-DC	80MHz		3.4		mA
		-20dBm transmission power	Direct power supply			2.8		mA
			Enable DC-DC	80MHz		1.6		mA
		0dBm transmission power	Direct power supply			7.5		mA
			Enable DC-DC	80MHz		3.5		mA
+4.5dBm transmission power	Direct power supply			17.0		mA		
	Enable DC-DC	80MHz		8.0		mA		

## 20.4 Clock Source

Table 20-5 High-speed oscillator (HSE)

Symbol	Parameter description	Min.	Typ.	Max.	Unit
$F_{HSE}$	External HSE oscillator frequency		32		MHz
$T_{SUHSE}$	External HSE oscillator startup to available time	80	200	500	uS
$T_{STHSE}$	External HSE oscillator startup to stabilization time	200	500	3000	uS

Table 20-6 Low-speed oscillator (LSI and LSE)

Symbol	Parameter description		Min.	Typ.	Max.	Unit
$F_{LSIR}$	Internal LSI oscillator frequency (before calibration)		20K	32K	48K	Hz
$F_{LSI}$	Internal LSI frequency (after application software runtime calibration)		32726	32768	32810	Hz
$A_{LSI}$	LSI oscillator accuracy (after software calibration)	$T_A = -40^{\circ}\text{C} \sim 85^{\circ}\text{C}$		0.1	0.5	%
		$T_A = 0^{\circ}\text{C} \sim 60^{\circ}\text{C}$		0.04	0.2	%
$T_{SULSI}$	Internal LSI oscillator startup to stabilization time			40	100	uS
$T_{SULSE}$	External LSE oscillator startup to available time		100	300	1500	mS
$T_{STLSE}$	External LSE oscillator startup to stabilization time		500	1500	5000	mS

Table 20-7 PLL characteristics

Symbol	Parameter description	Min.	Typ.	Max.	Unit
F <sub>PLL</sub>	Output clock after PLL (CK32M * 15)		480		MHz
T <sub>PLLK</sub>	PLL lock time		20	40	uS

## 20.5 Timing Parameters

Test conditions: TA=25°C, VDD33=VIO33=3.3V, Fsys=6.4MHz.

Table 20-8 Timing parameters

Symbol	Parameter description	Min.	Typ.	Max.	Unit	
T <sub>tpor</sub>	Reset delay after RPOR	11	15	20	mS	
T <sub>rst</sub>	RST# valid signal width		100		nS	
T <sub>mr</sub>	Reset delay after MR	2	8	18	uS	
T <sub>sr</sub>	Reset delay after SR	2	8	18	uS	
T <sub>wtr</sub>	Reset delay after WTR	10	12	18	uS	
T <sub>wak</sub>	Wakeup time to exit from low-power status	Idle Mode	0.6	1	3	uS
		Halt Mode	T <sub>SUHSE</sub> +1	T <sub>SUHSE</sub> +80	T <sub>SUHSE</sub> +150	uS
		Sleep Mode	T <sub>SUHSE</sub> +1	T <sub>SUHSE</sub> +300	T <sub>SUHSE</sub> +400	uS
		Shutdown Mode	T <sub>SUHSE</sub> +0.4	T <sub>SUHSE</sub> +1	T <sub>SUHSE</sub> +5	mS

Note: The delay parameters in the table are all based on multiples of T<sub>sys</sub>, and the delay will be increased when the clock frequency is reduced.

The delay parameters in the table are based on using an external HSE clock source. If an external HSE clock source is used during sleep, the delay parameter T<sub>wak</sub> in Halt mode/Sleep mode/Shutdown mode in the table will be increased by about 0.2~1mS (activated to available T<sub>SUHSE</sub>).

## 20.6 Other Parameters

Test conditions: TA=25°C, VDD33=VIO33=3.3V, Fsys=16MHz.

Table 20-9 Other parameters

Symbol	Parameter description	Min.	Typ.	Max.	Unit
R <sub>TS</sub>	Measurement range of temperature sensor	-40		85	°C
A <sub>TSC</sub>	Measurement error of temperature sensor after calibrated by software		±10		°C
T <sub>FRER</sub>	Single sector erase operation time of Flash-ROM	6	16	30	mS
T <sub>FRPG</sub>	Single word program operation time of Flash-ROM	1	2	4	mS
N <sub>EPCE</sub>	Erase/program cycle endurance	5~45°C	100K	1000K (Random test)	times
		-40~85°C	50K	200K (Random test)	
T <sub>DR</sub>	Data hold capability of Flash-ROM	20			years
V <sub>ESD</sub>	ESD withstand voltage on I/O pins		4K (Random test)		V

		I/O pins: PA and PB	4K	6K (Random test)		V
--	--	---------------------	----	---------------------	--	---

## Chapter 21 Package

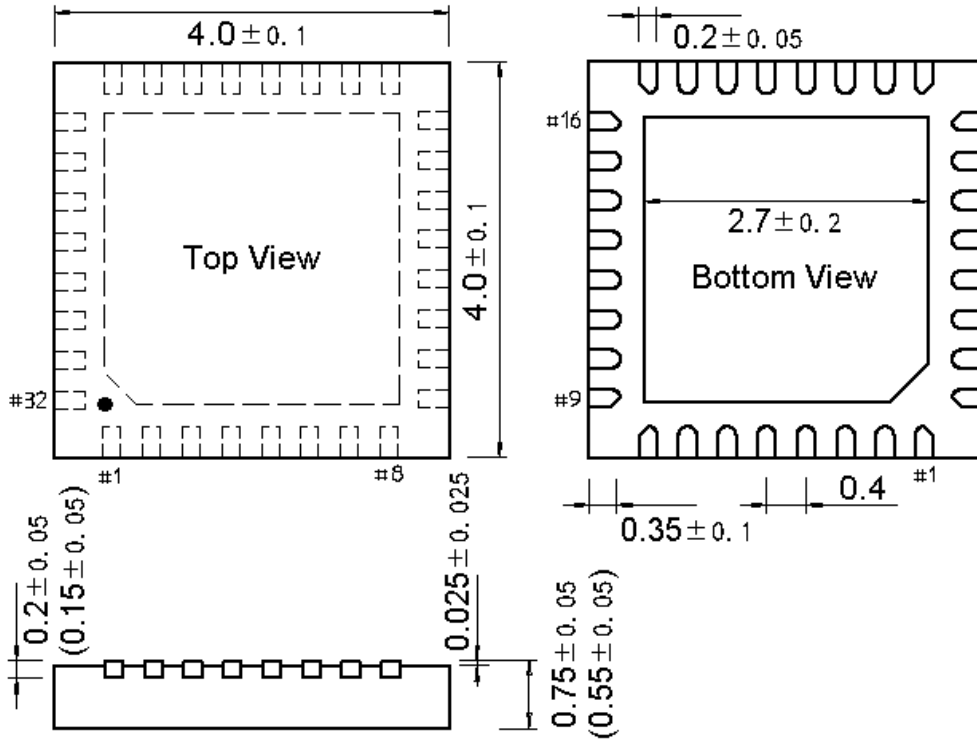
### Chip Package

Package form	Body size	Pin pitch		Package description	Order model
QFN32	4*4mm	0.4mm	15.7mil	Quad Flat No-lead Package	CH592X
QFN28	4*4mm	0.4mm	15.7mil	Quad Flat No-lead Package	CH592F/CH591F
QFN20	3*3mm	0.4mm	15.7mil	Quad Flat No-lead Package	CH592D/CH591D
TSSOP16	4.4*5.0mm	0.65mm	25.6mil	Thin Shrink Small Outline Package	CH591R



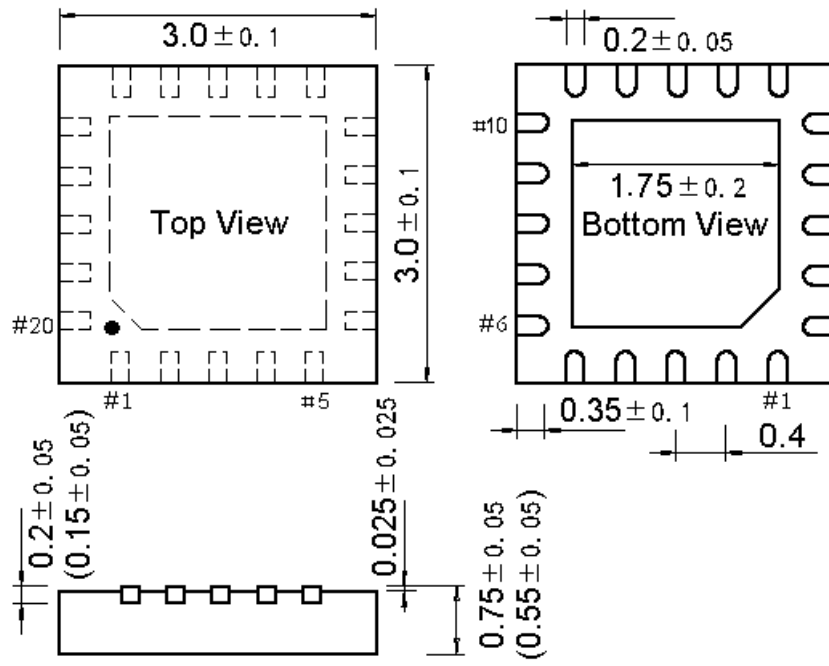
Note: All dimensions are in millimeters. The pin center spacing values are nominal values, and the error of other dimensions is not more than  $\pm 0.2\text{mm}$ .

### QFN32



### QFN28

### QFN20



### TSSOP16