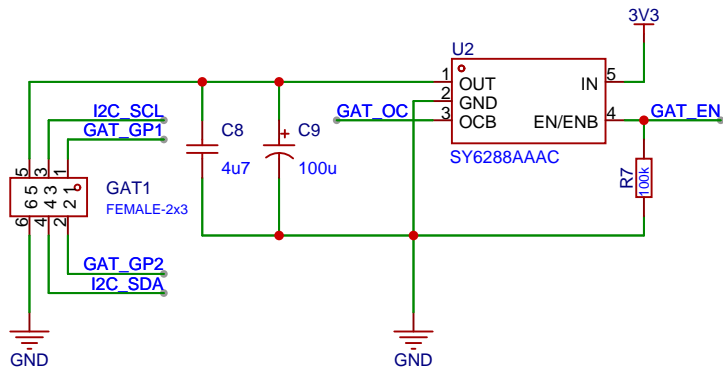
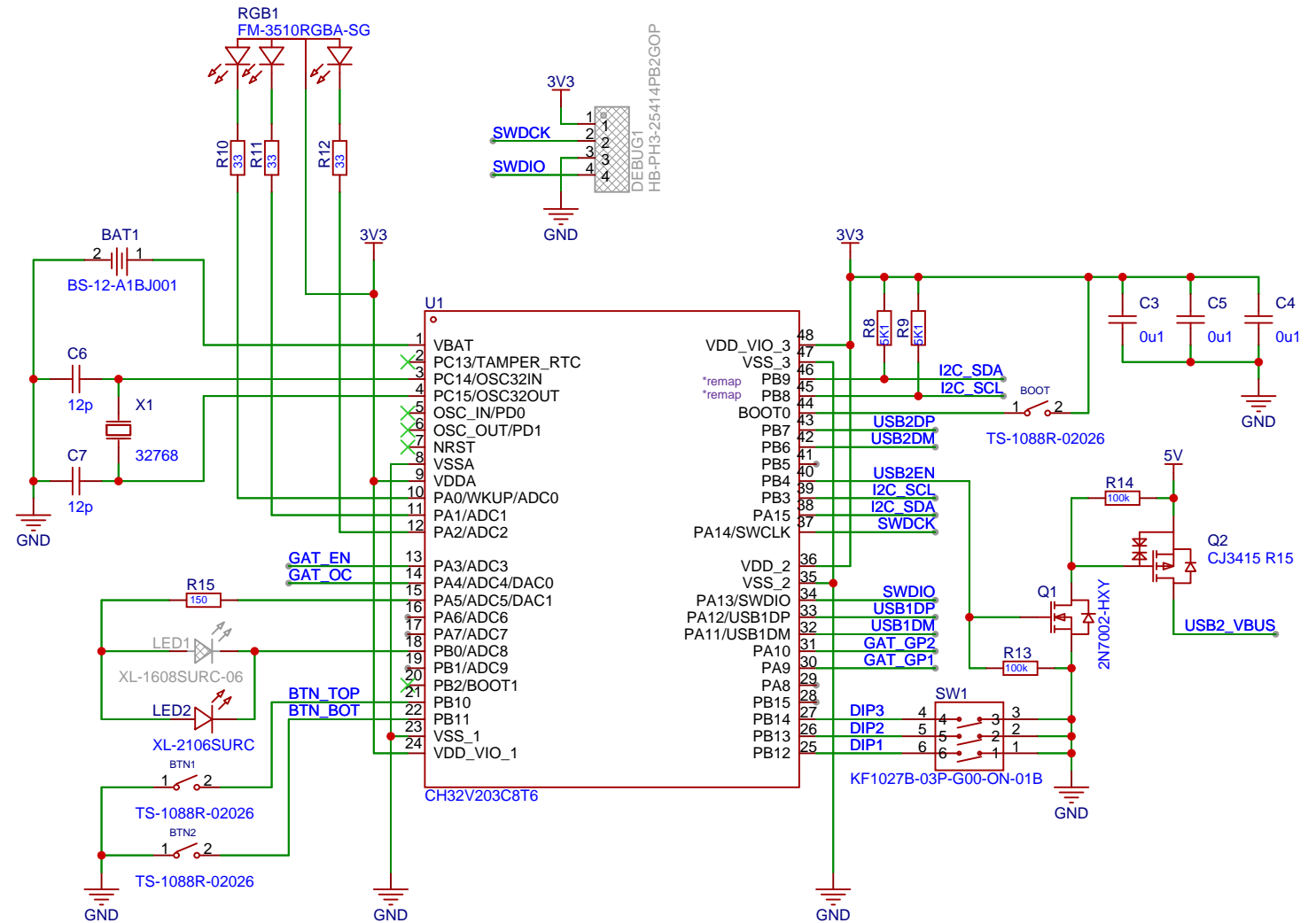


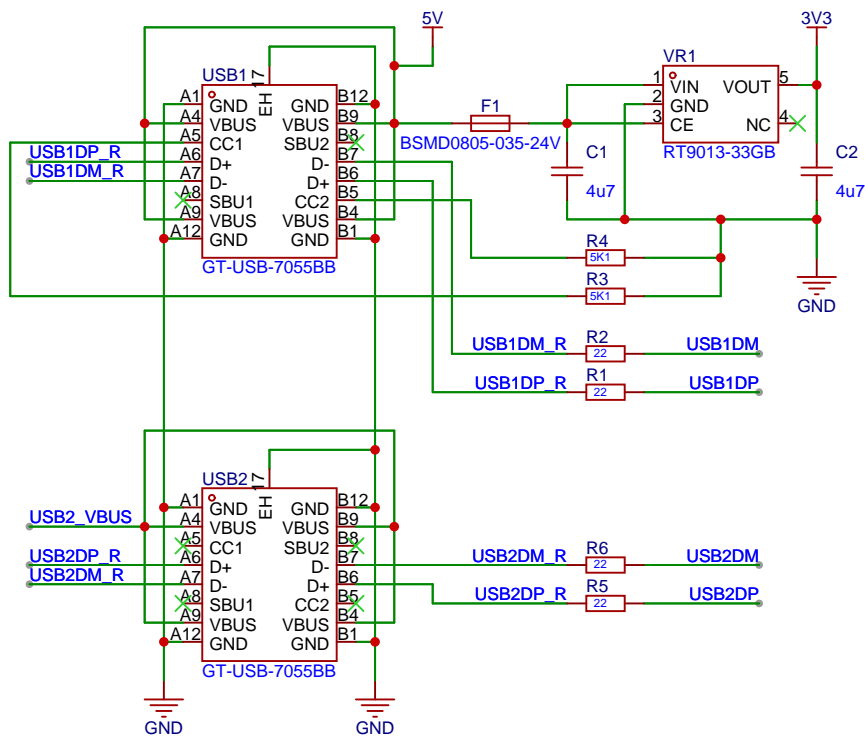
# Addon Header



# MCU



# USB



Schematic	gat_holder_basic_single		Update Date	2024-11-06
Page	Page1		Create Date	2024-10-14
Drawn	true		Part Number	tC-SC8-02
Reviewed				
<b>The GAT Stand</b>				
	VER	SIZE	PAGE	1 OF 1
	REV4	Letter	schematics, instructions, firmware updates <a href="https://basic.truecontrol.org">https://basic.truecontrol.org</a>	

Known issues REV4:

- Fuse F1 should be between VR1-VOUT and U2-IN. Large currents on switched output can cause VR1 to undervolt, resetting the MCU. Moving this fuse would limit the undervolt and MCU would not reset. There isn't any high power 3V3 circuit to protect other than the addon connector.
- GAT\_OC can never trip, as either fuse or LDO overcurrent will happen first.

Revision History:

- REV1:
- REV2:
- REV3: Initial ideas
- REV4: Initial release

