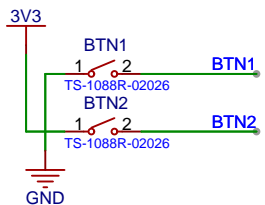
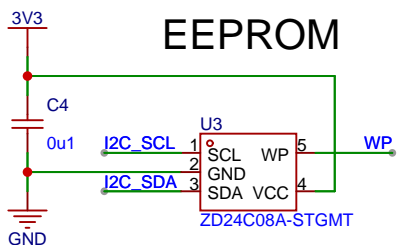


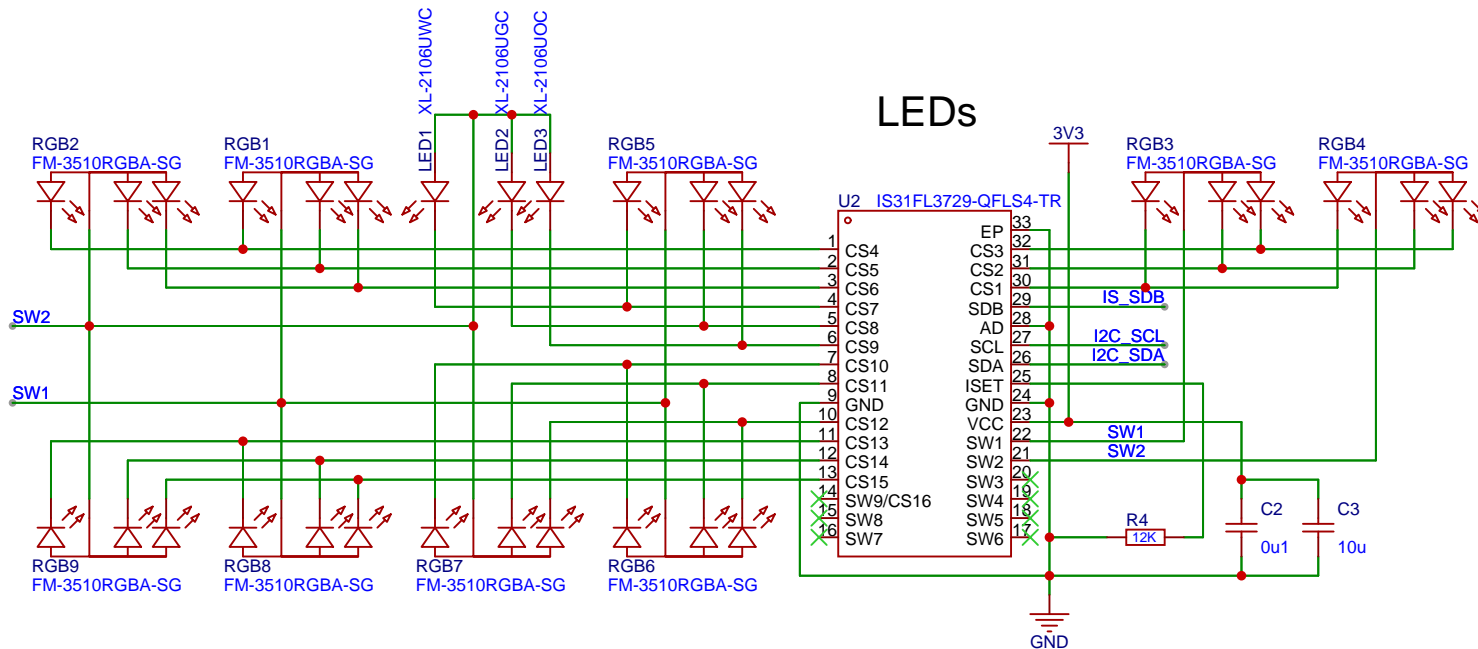
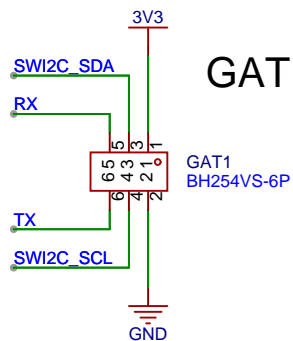
Buttons



EEPROM



GAT



Schematic	Retro Tech Community GAT			Update Date	2024-08-01
				Create Date	2024-07-23
Page	main			Part Number	dc32_retro_tech
Drawn	true				
Reviewed					
		VER	SIZE	PAGE	1 OF 1
trueControl		REV3	A4	Project hastily done by true	