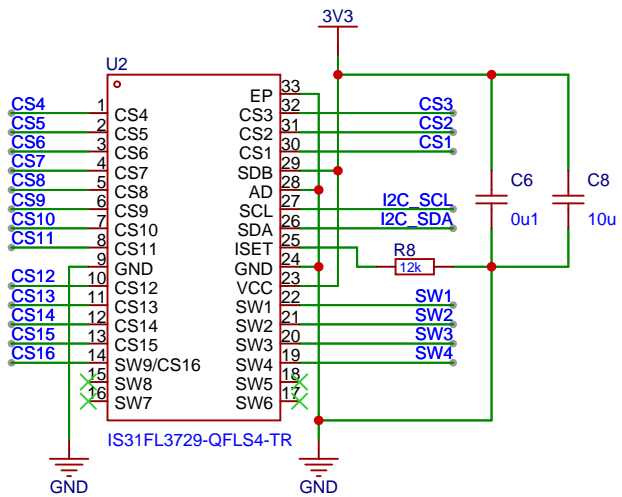
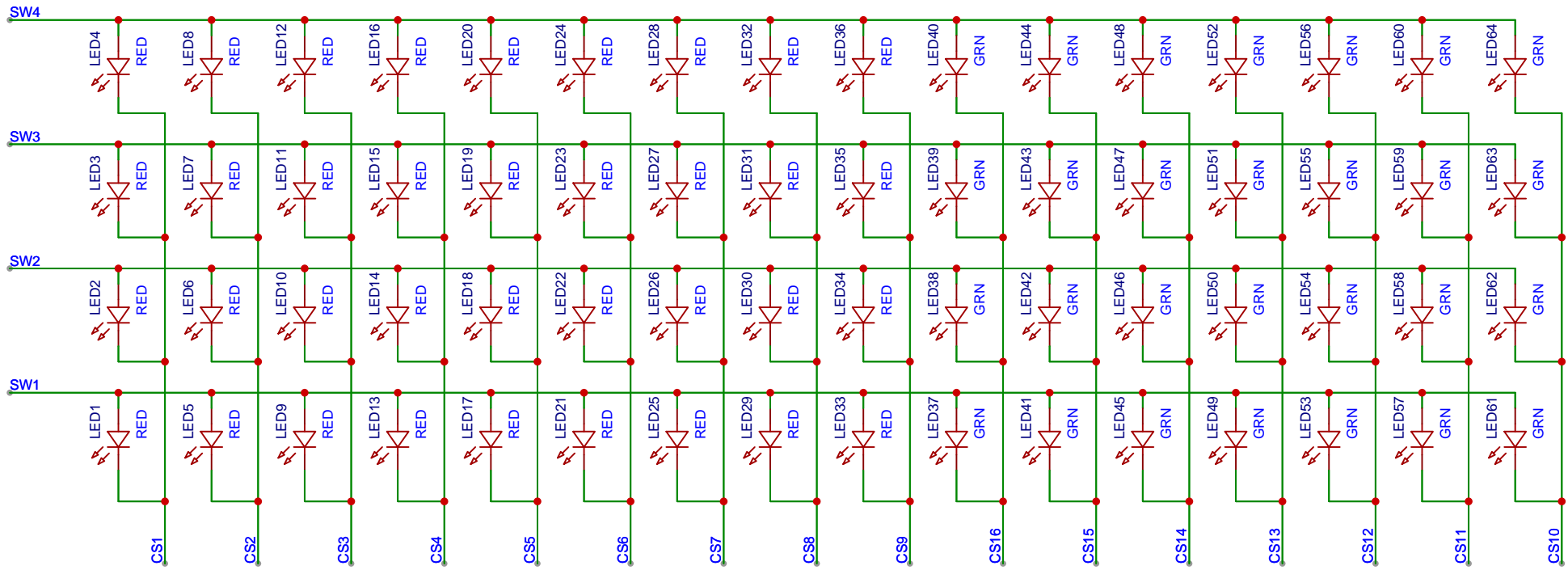


Schematic	peppercon9			Update Date	2024-08-07
Page	main components.peppercon9			Create Date	2024-07-09
Drawn	true				
Reviewed					
		VER	SIZE	PAGE	1 OF 2
treeControl		REV1	A4		



Schematic	peppercon9			Update Date	2024-08-07
				Create Date	2024-07-09
Page	led matrix.peppercon9			Part Number	dc32_peppercon9
Drawn	true				
Reviewed					
		VER	SIZE	PAGE	2 OF 2
		REV1	A4		