
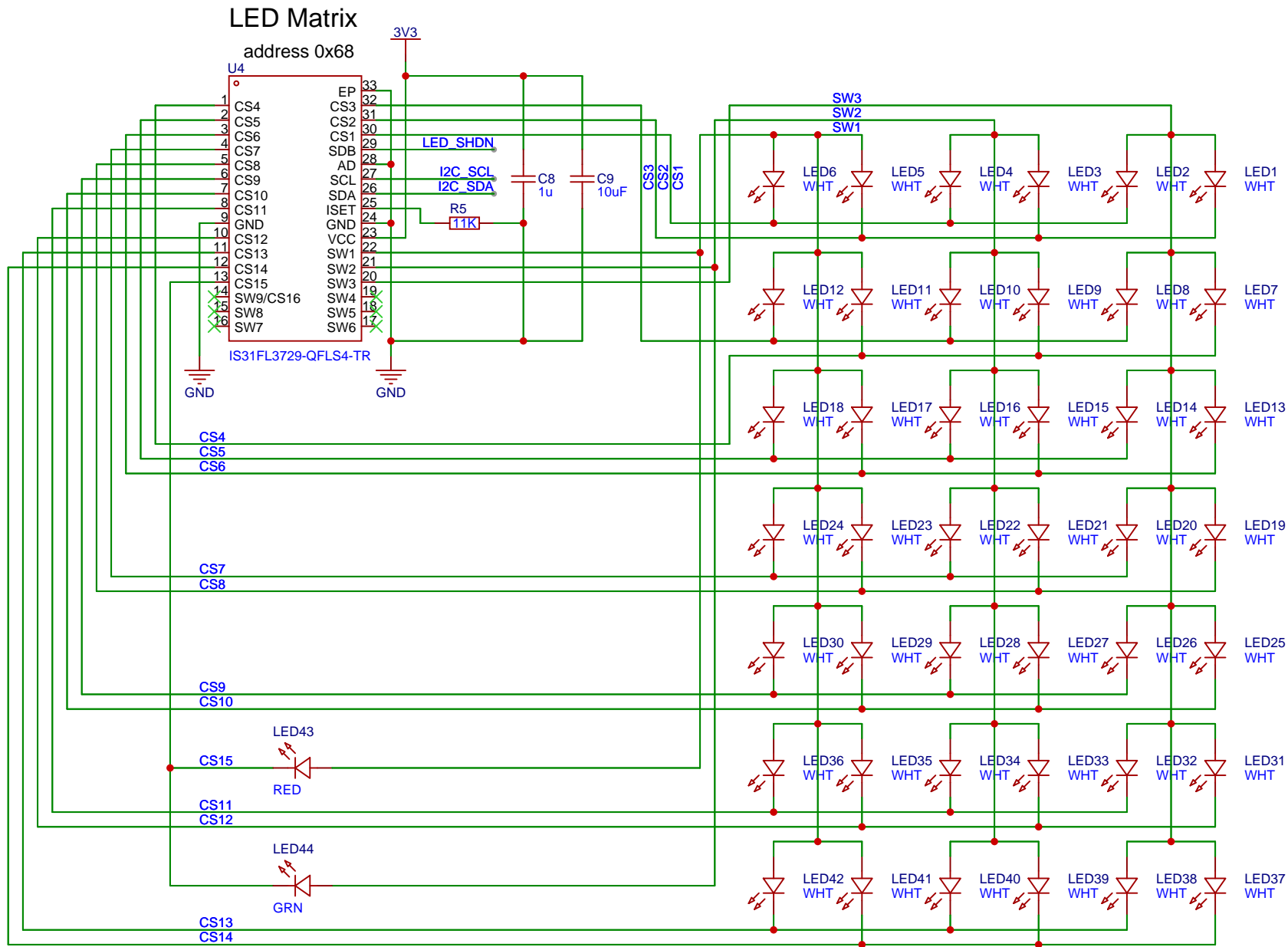



Schematic	Infinite WiFi Portal - Main PCB		Update Date	2024-11-18		
Page	main		Create Date	2024-07-02		
Drawn by	true		Part Number	tC-DC32-IWPO		
Reviewed by	Nobody		REV	SIZE	PAGE	1 OF 2
Event	DC32		REV2	Letter		



Schematic	Infinite WiFi Portal - Main PCB		Update Date	2024-11-18
Page	led matrix		Create Date	2024-07-02
Drawn by	true			
Reviewed by	Nobody			
Event	DC32			
		REV	SIZE	PAGE 2 OF 2
		REV2	Letter	