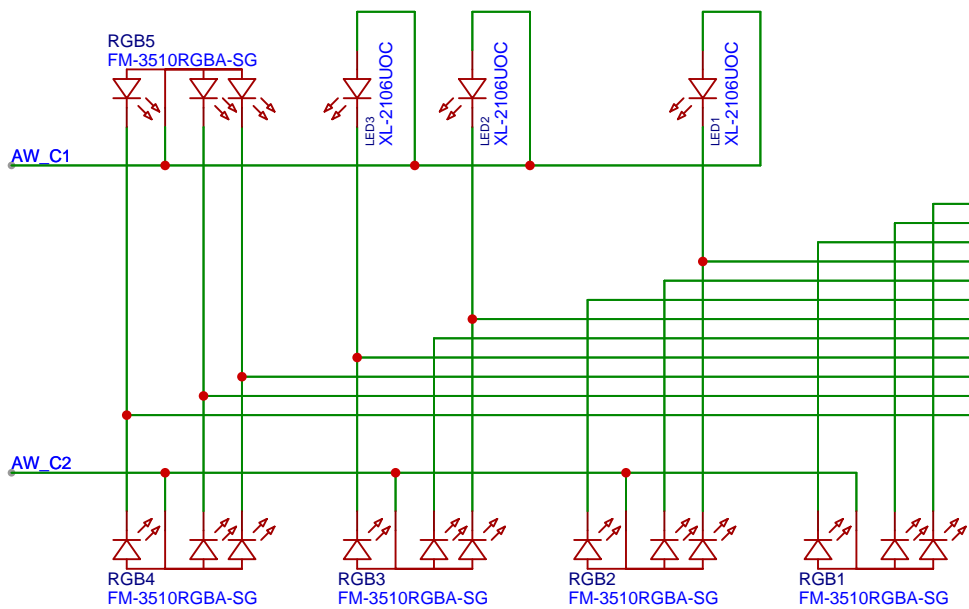
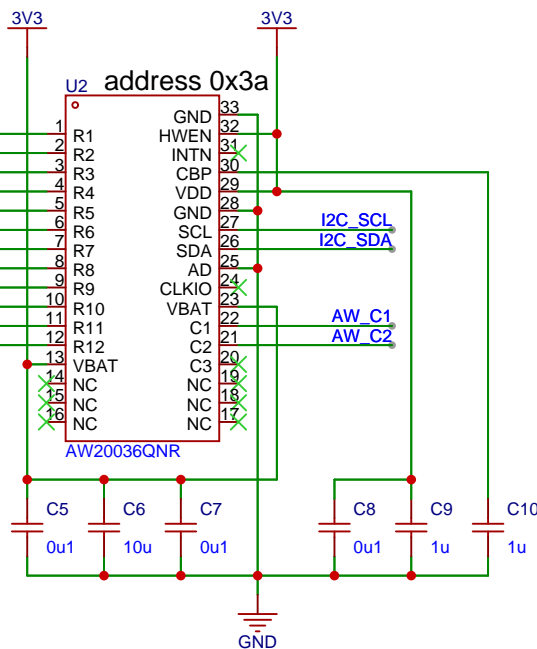


Schematic	boeing_GAT		Update Date	2024-08-07	
			Create Date	2024-07-08	
Page	main components.boeing_GAT		Part Number	dc32_flames	
Drawn	true				
Reviewed					
			VER	SIZE	PAGE 1 OF 2
treeControl			REV1	A4	

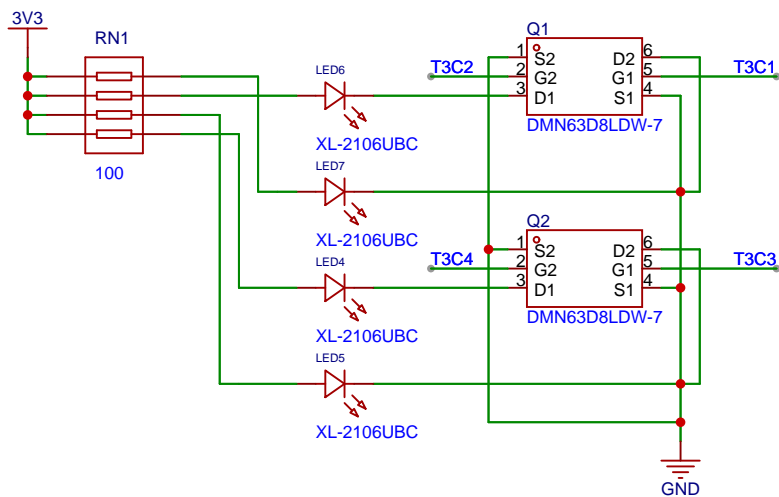
led order BGAR



LED Matrix IC - Top LEDs



Bottom LEDs



Schematic	boeing_GAT			Update Date	2024-08-07
Page	led matrix.boeing_GAT			Create Date	2024-07-08
Drawn	EasyEDA			Part Number	dc32_flames
Reviewed					
		VER	SIZE	PAGE	2 OF 2
		REV1	A4		

